

DL[®] 50 LED

Seilauhänger / wire hanger

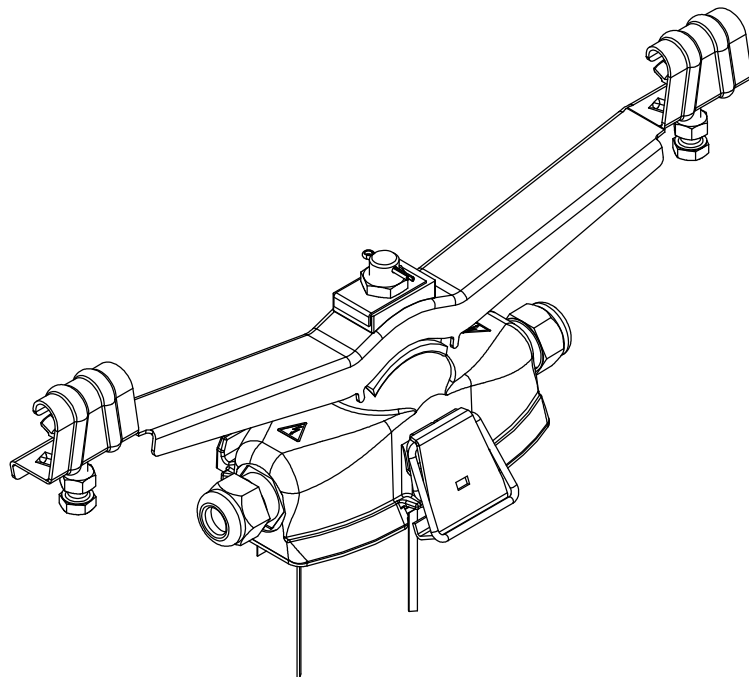
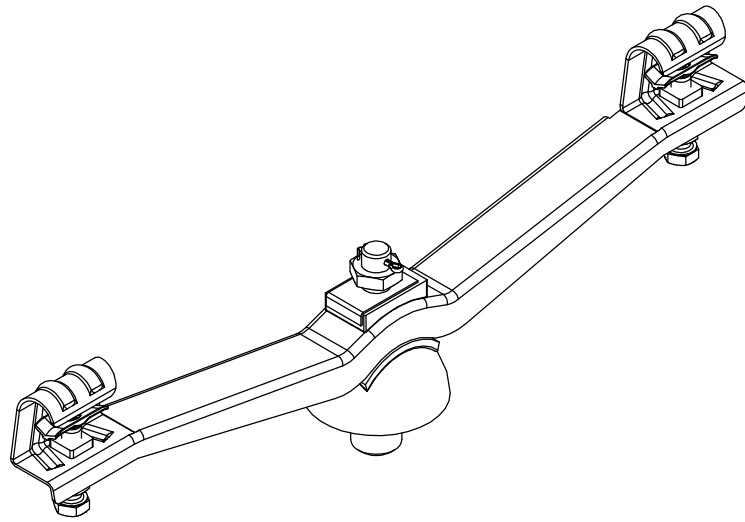
5NY9004...

5LY9041...

5LY9042...

5LY9043...

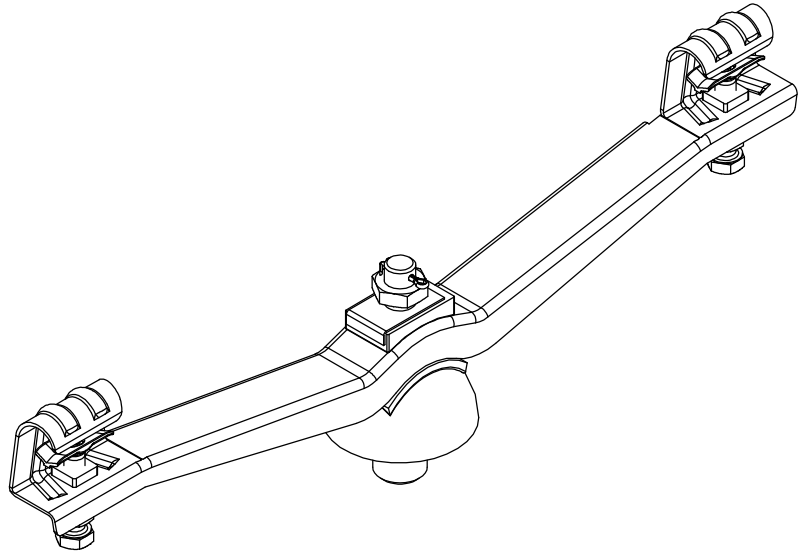
5LY9088...



siteco

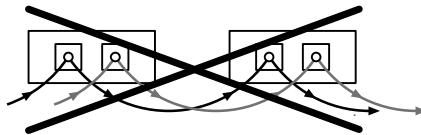
[mm]

5NY9004...

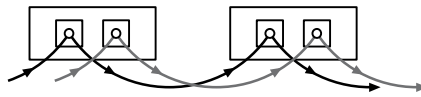
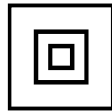


$$A_w = 0,01\text{m}^2$$

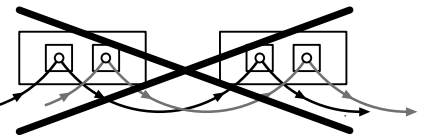
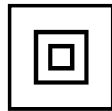
5LY9041...



5LY9043...

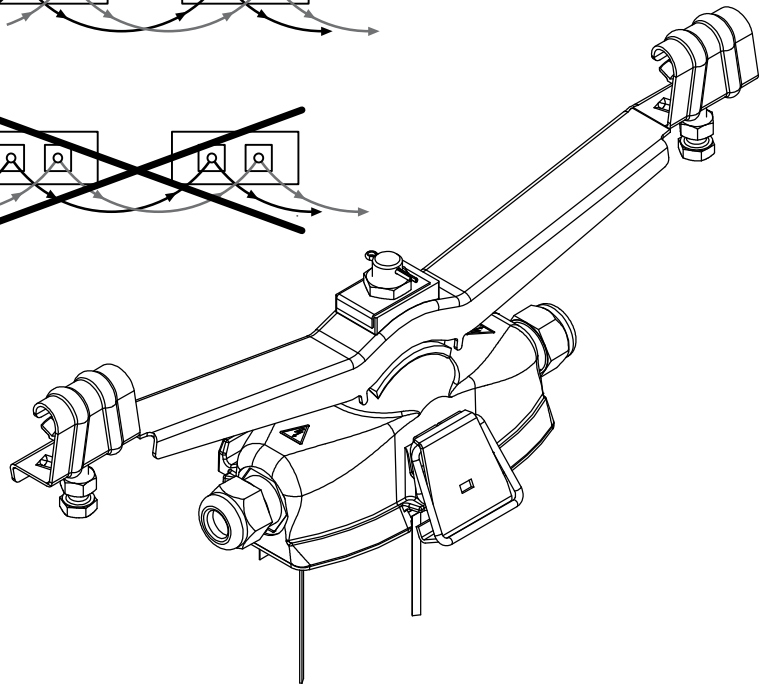


5LY9042...

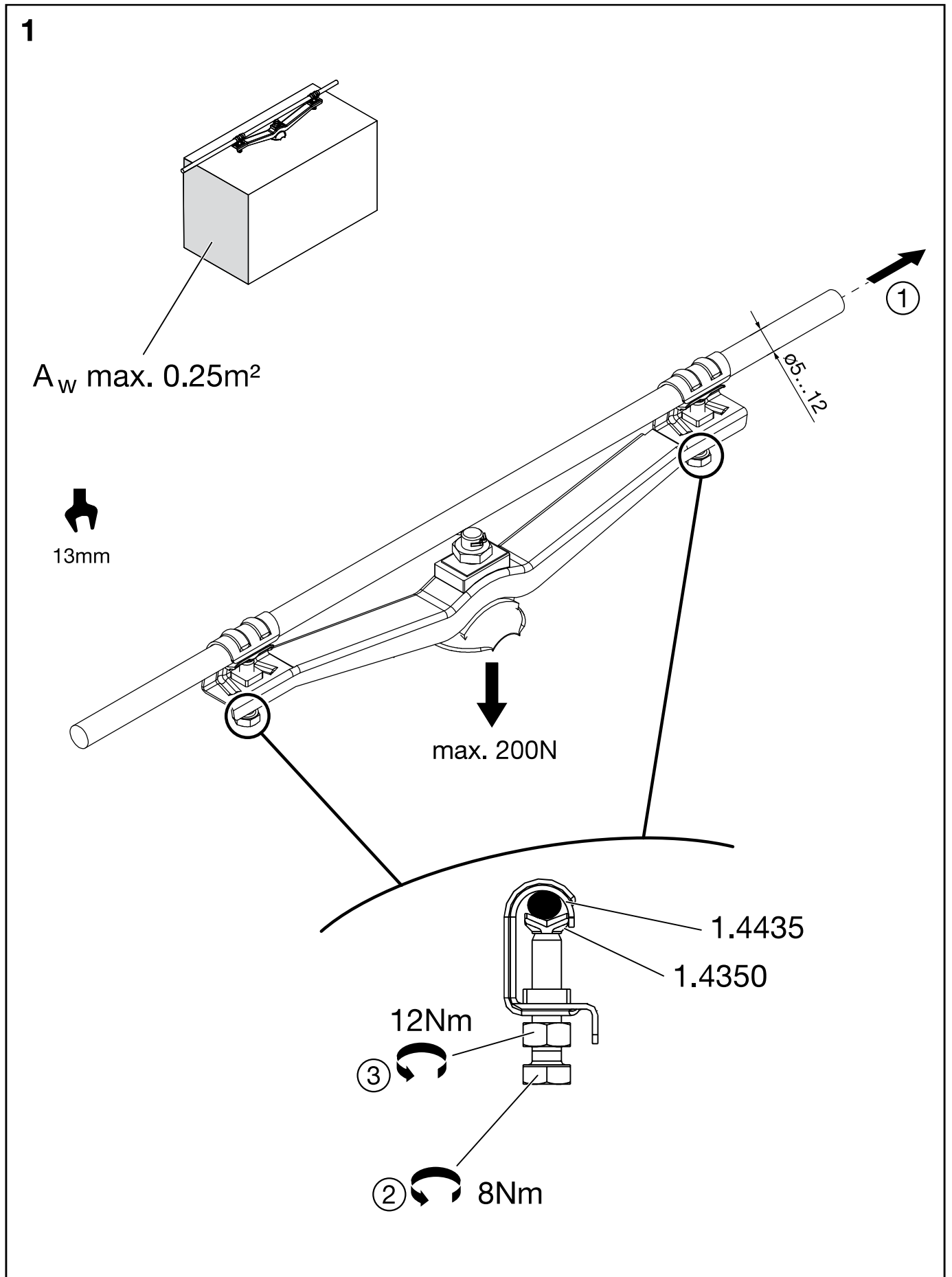


5LY9043...

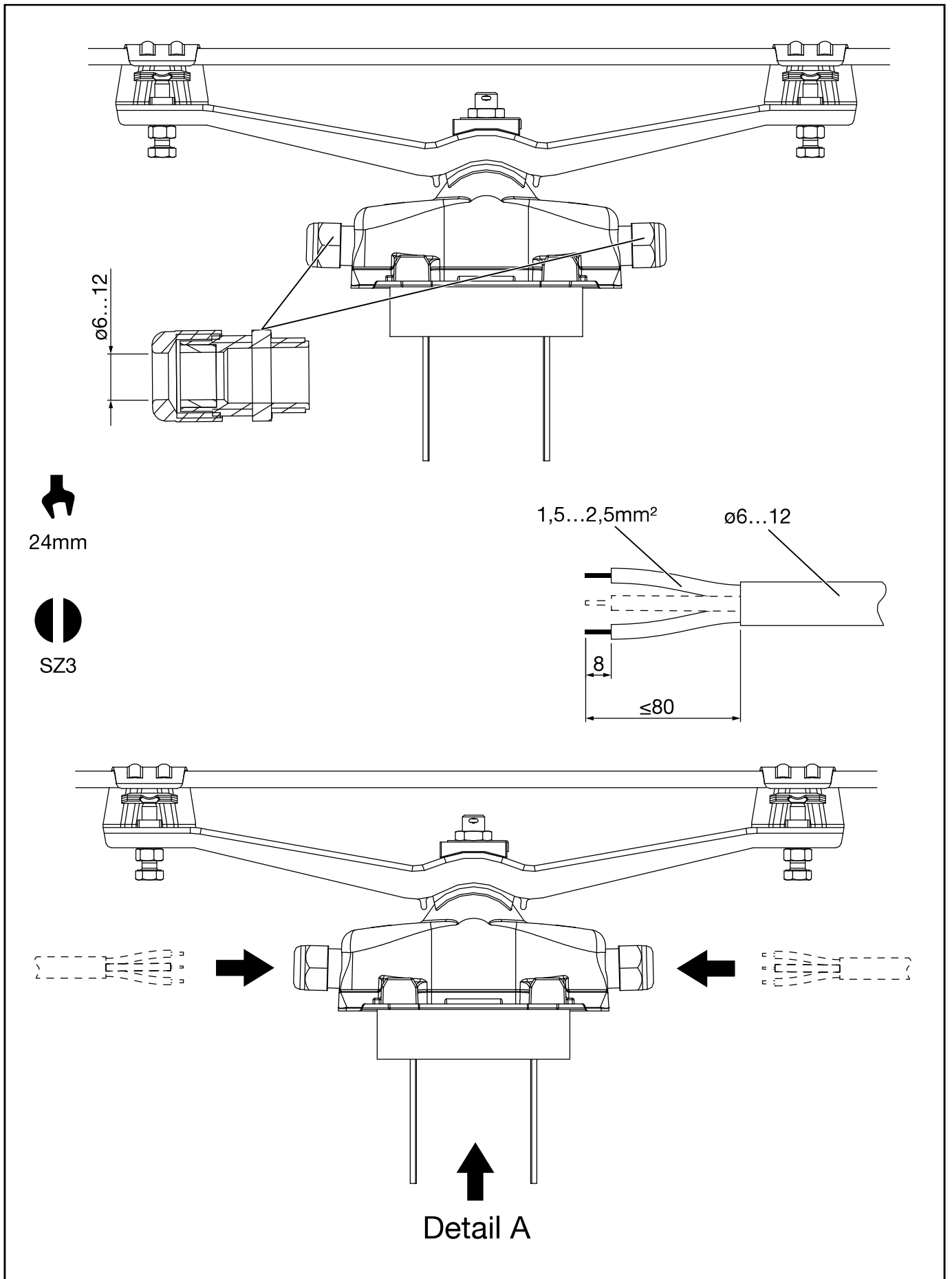
5LY9088...



$$A_w = 0,02\text{m}^2$$



DL® 50 LED - Seilaufhänger / wire hanger



2

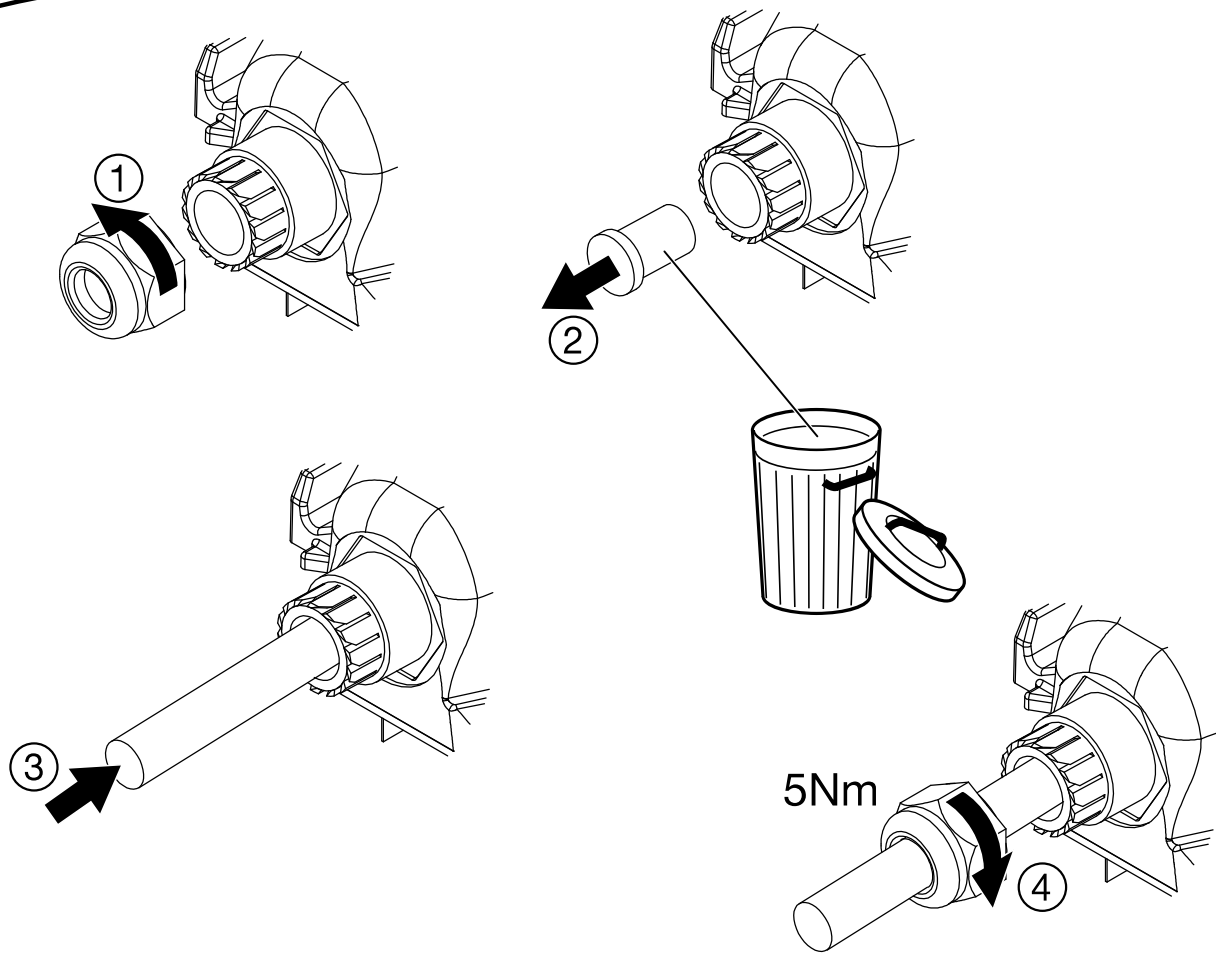
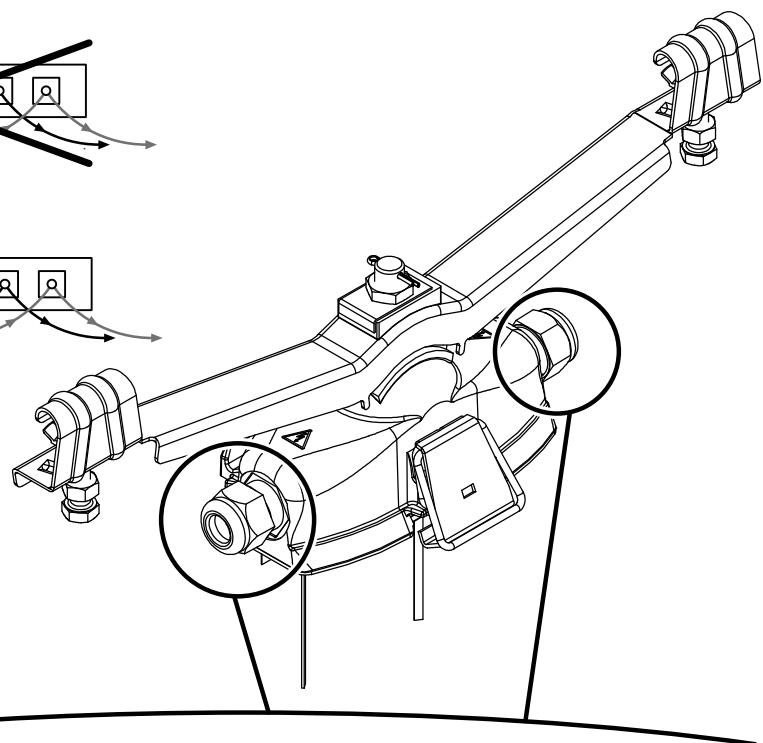
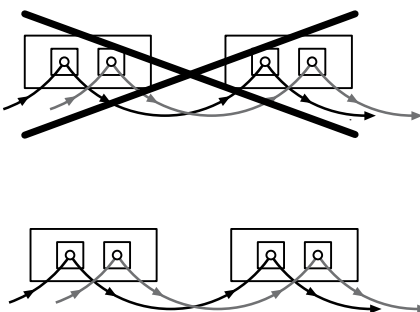
5LY9041...

5LY9042...

5LY9043...

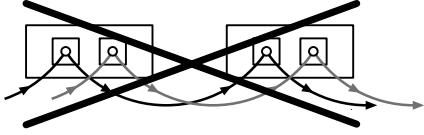
5LY9088...

5LY9043...

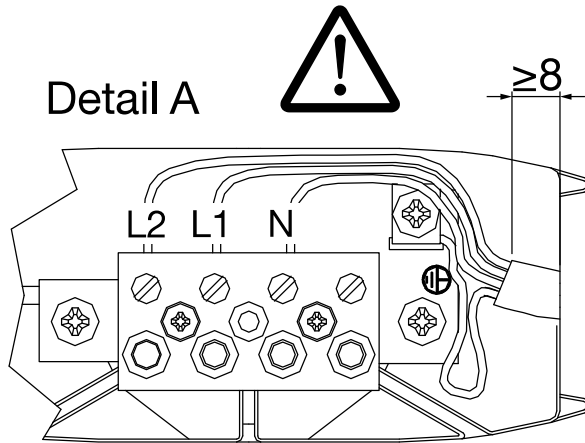


3

5LY9041...



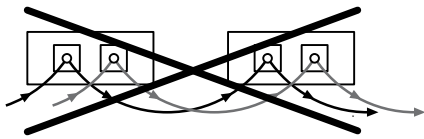
Detail A



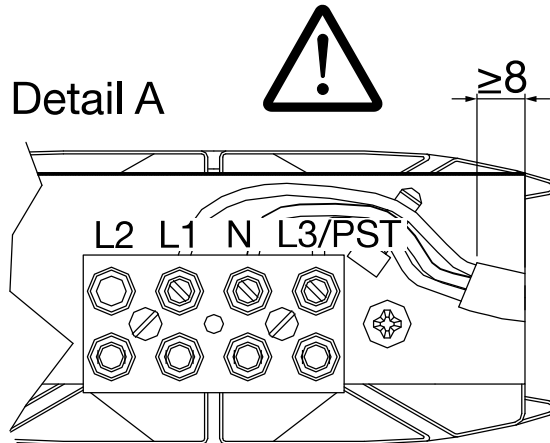
5LY9042...

5LY9043...

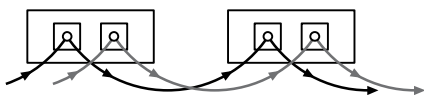
5LY9088...



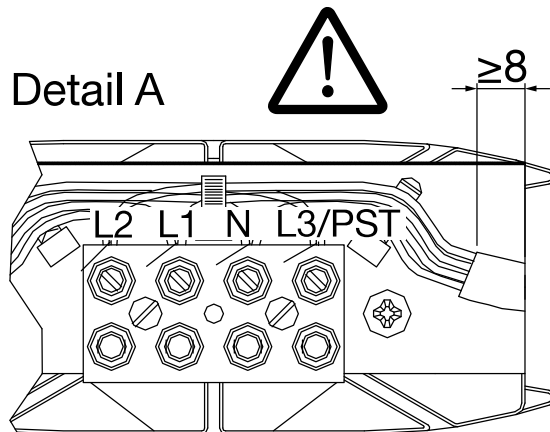
Detail A



5LY9043...

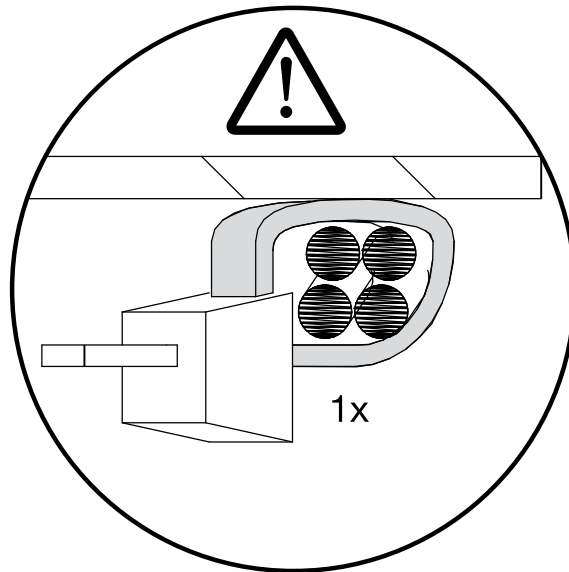
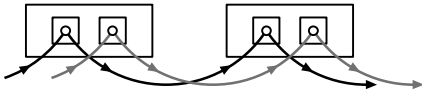


Detail A

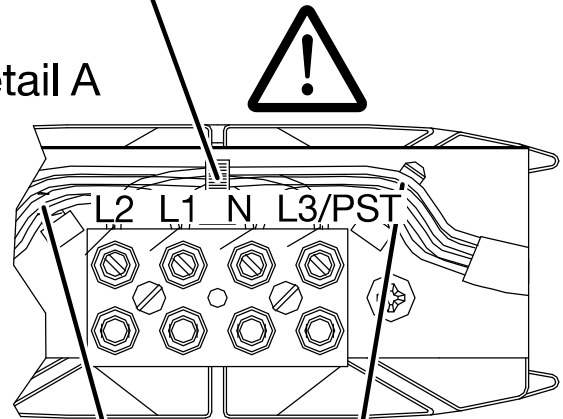


4

5LY9043...



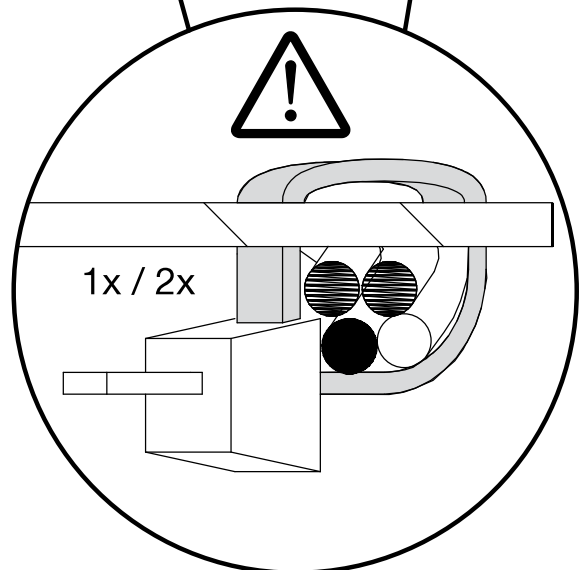
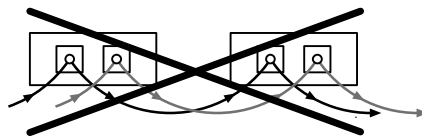
Detail A



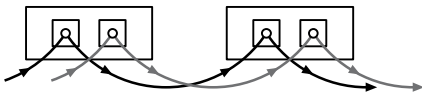
5LY9042...

5LY9043...

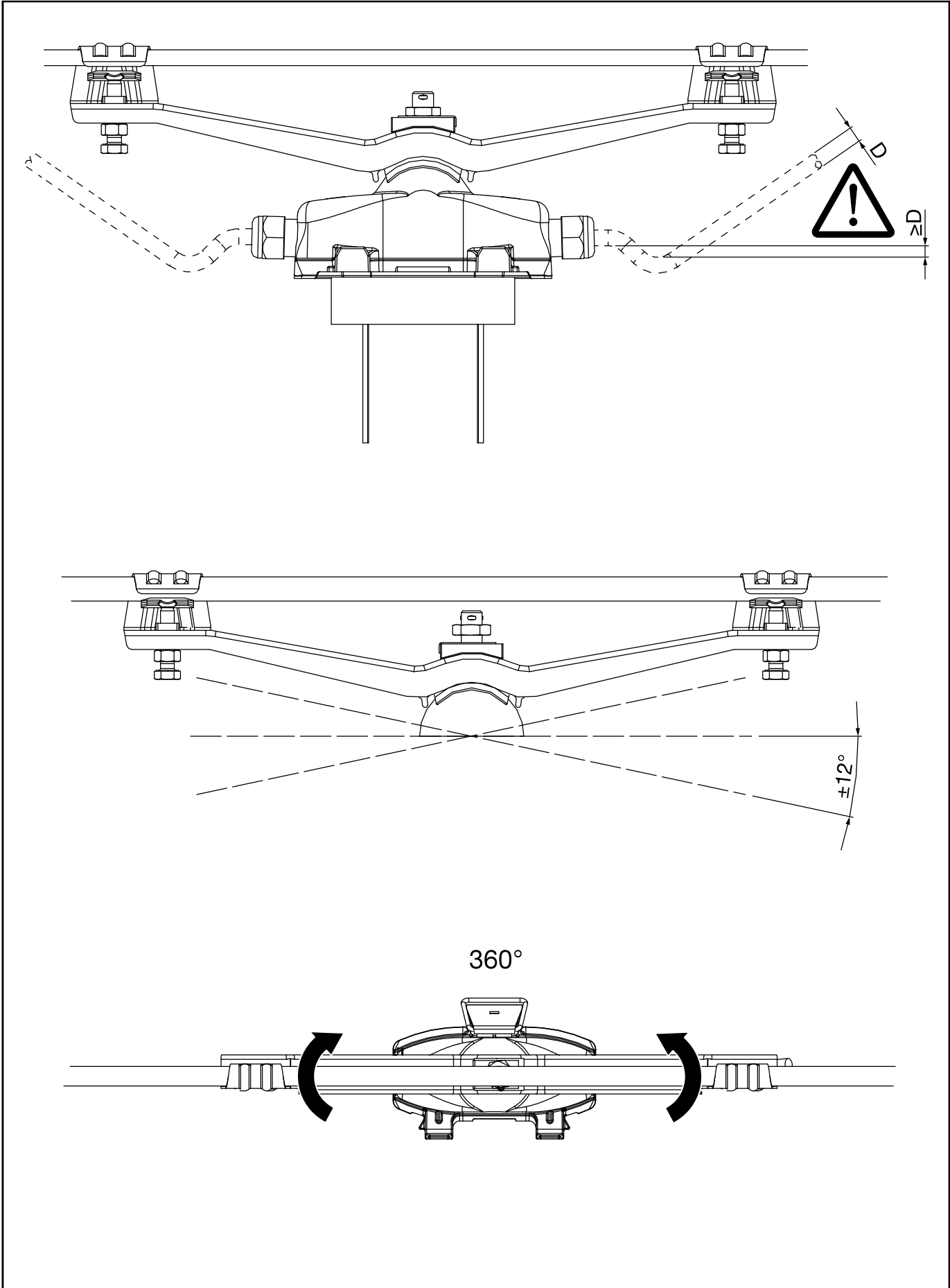
5LY9088...



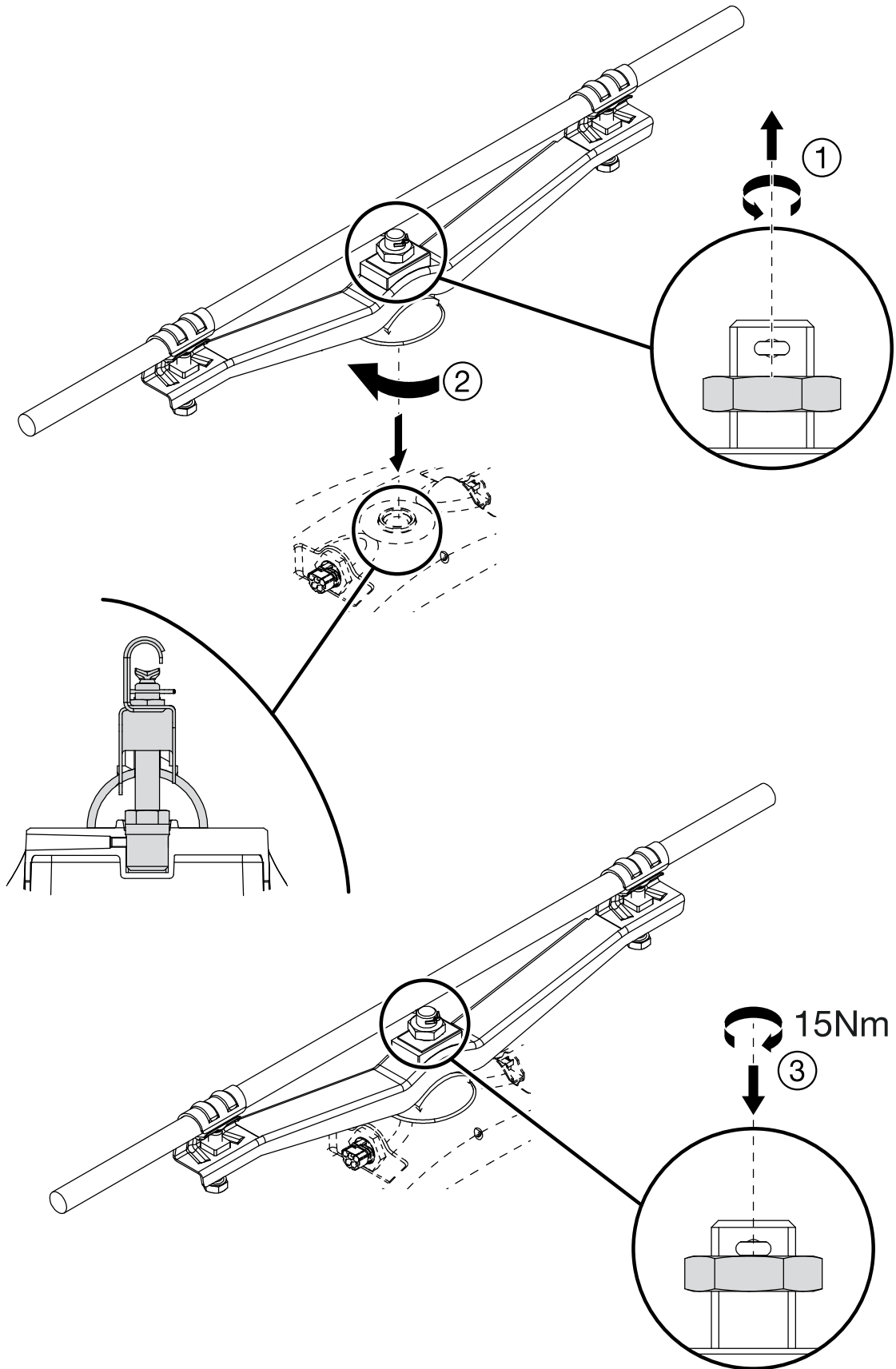
5LY9043...

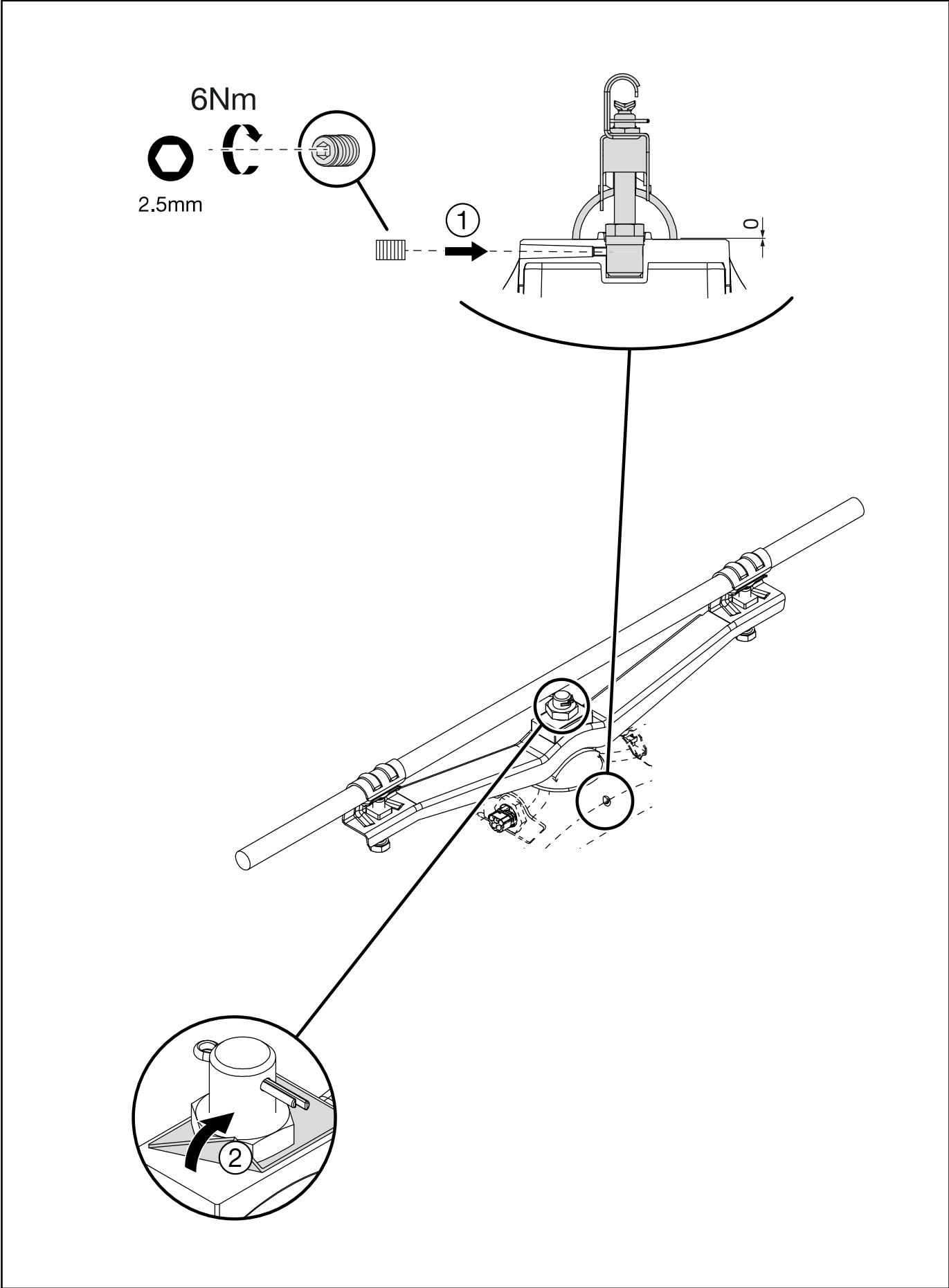


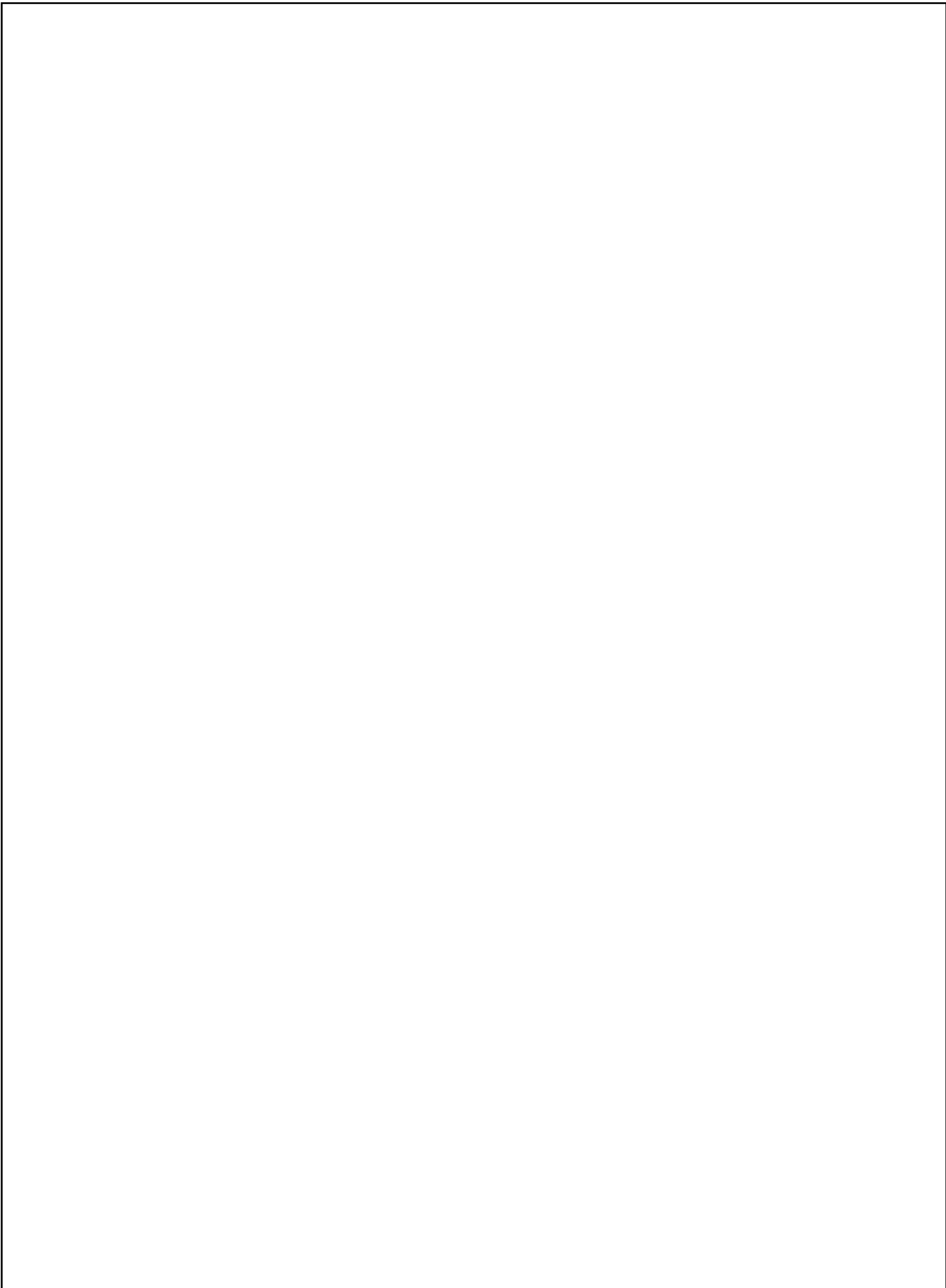
DL® 50 LED - Seilauflänger / wire hanger

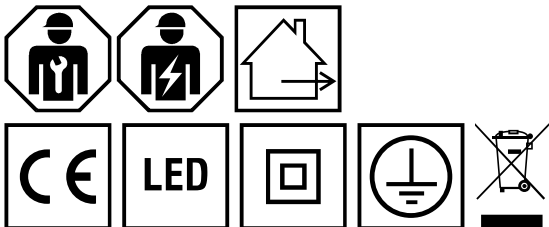
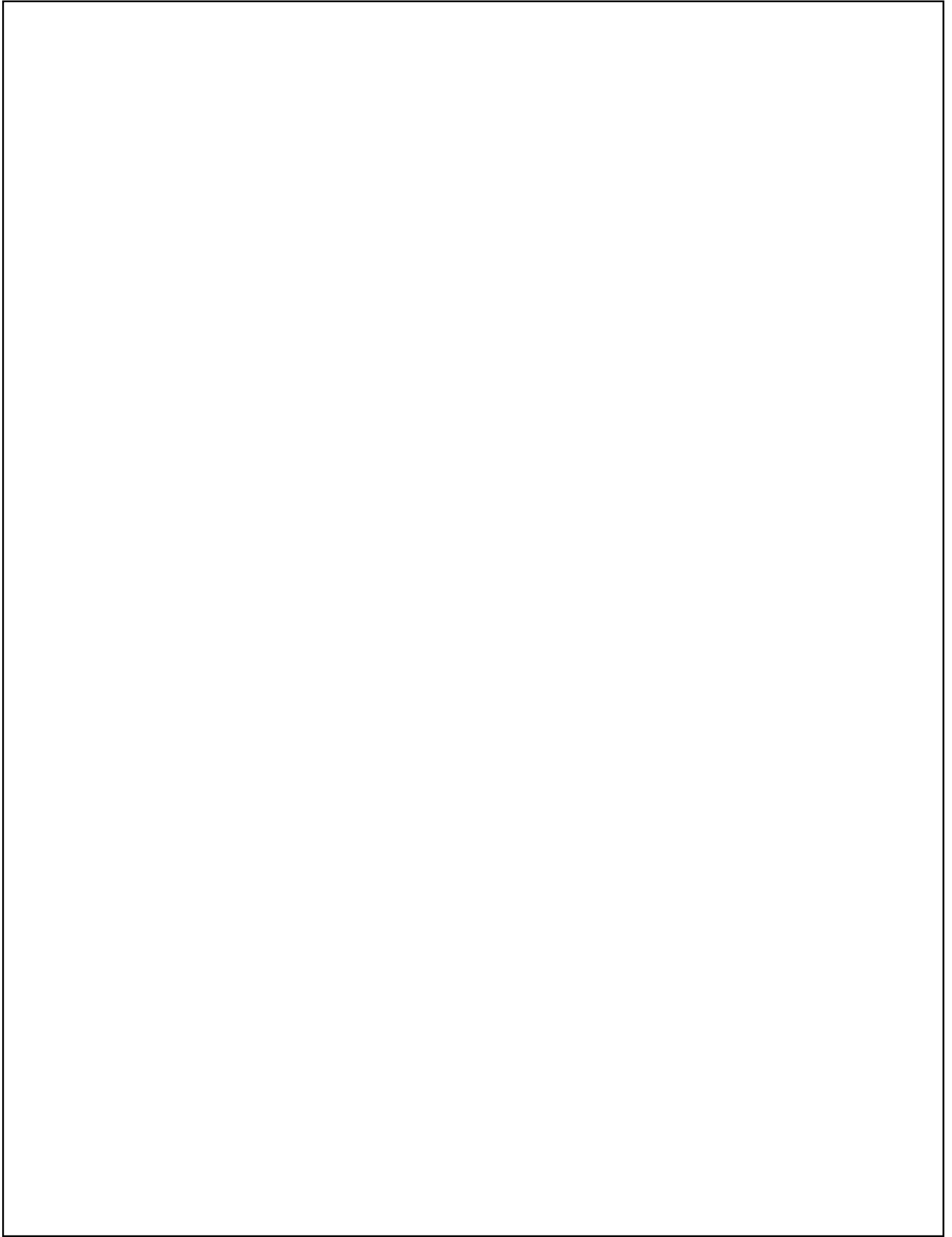


5









5MA72-100760_ag
22.03.2021 / PZ

Siteco GmbH
Georg-Simon-Ohm-Straße 50
83301 Traunreut, Germany
mail: technicalsupport@siteco.de
Phone: +49 8669 / 33-844
www.siteco.com