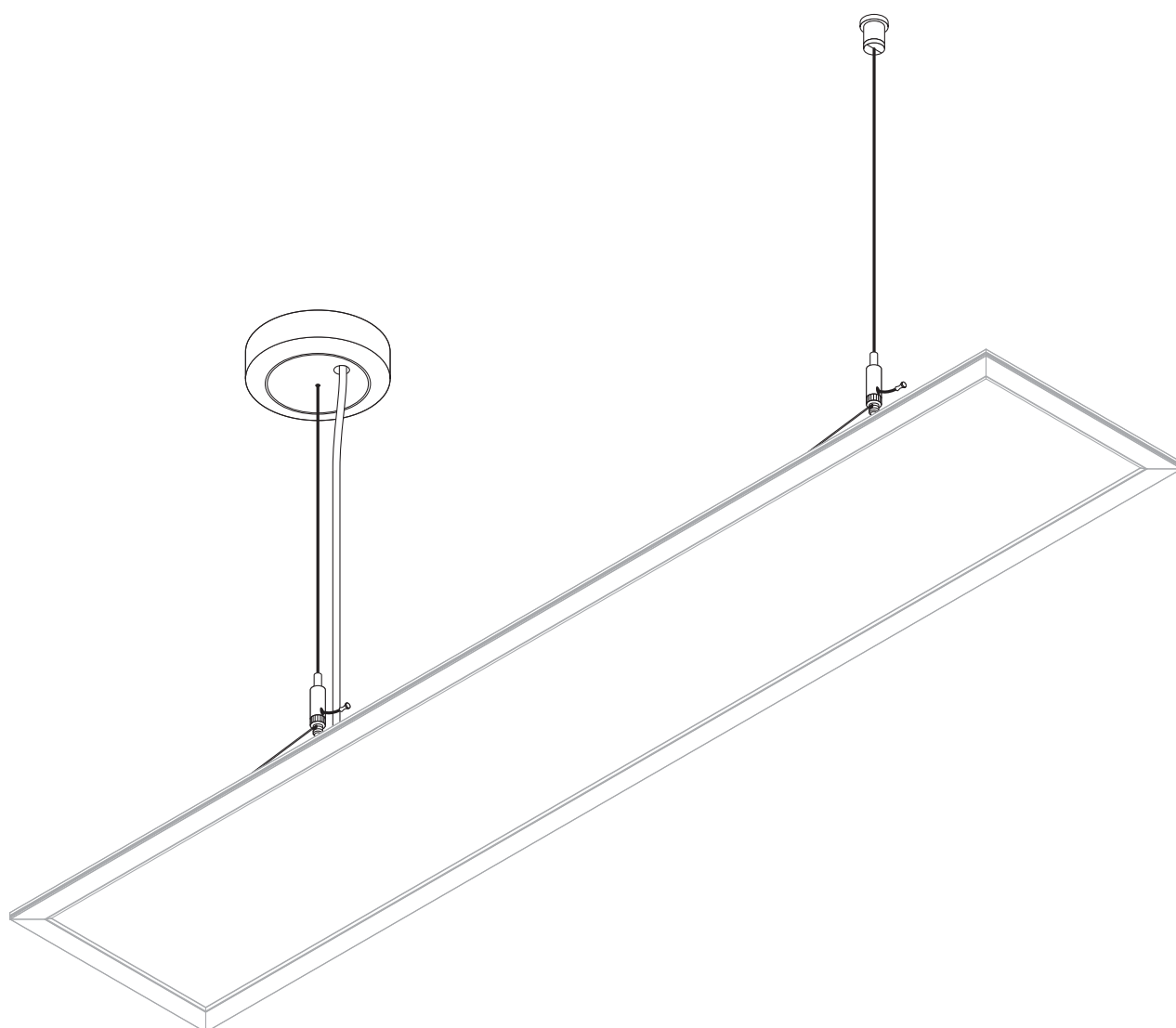


# A POLLON® Rectangular

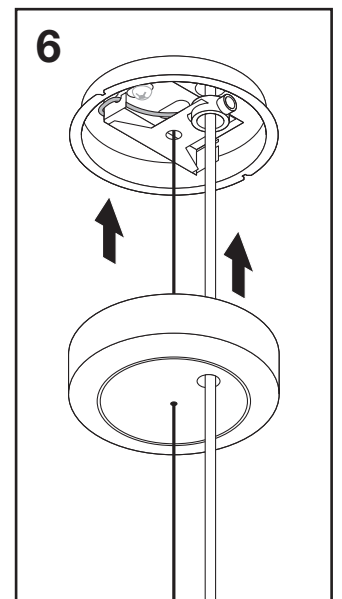
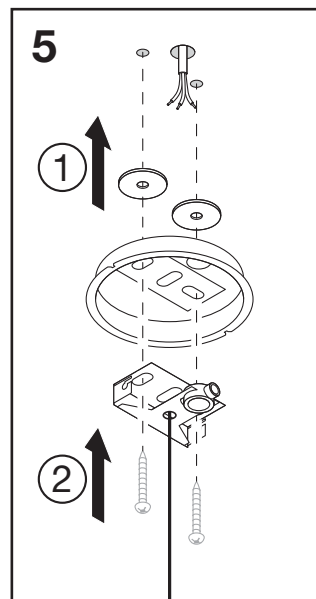
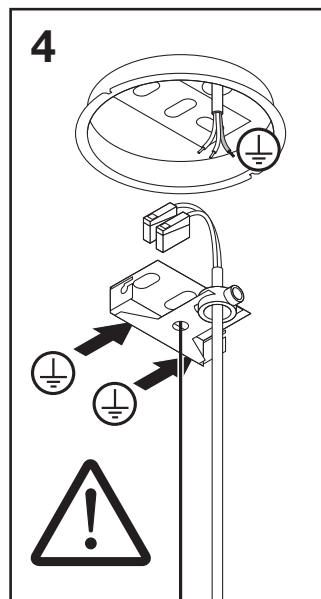
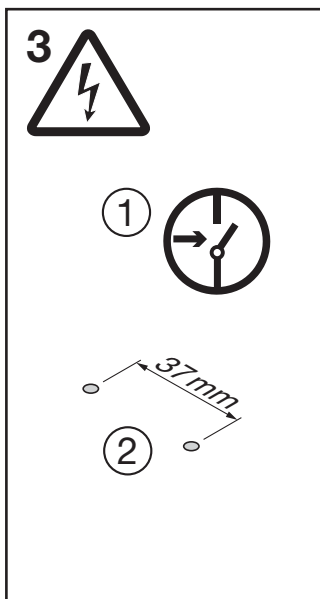
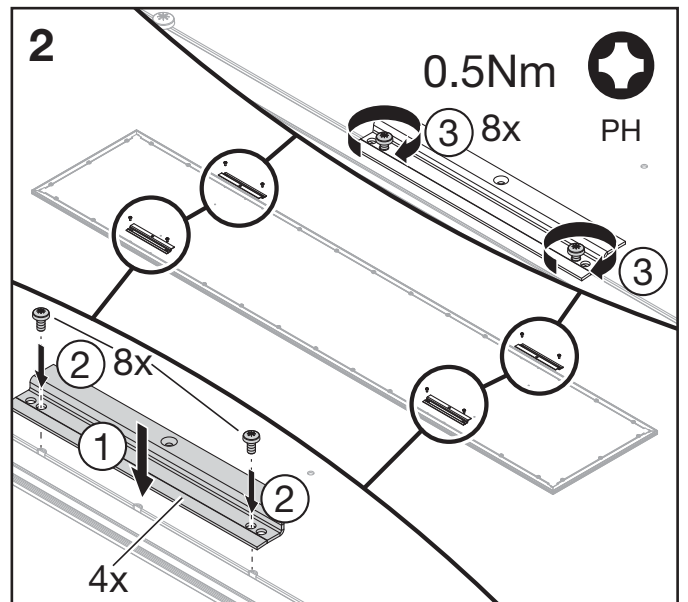
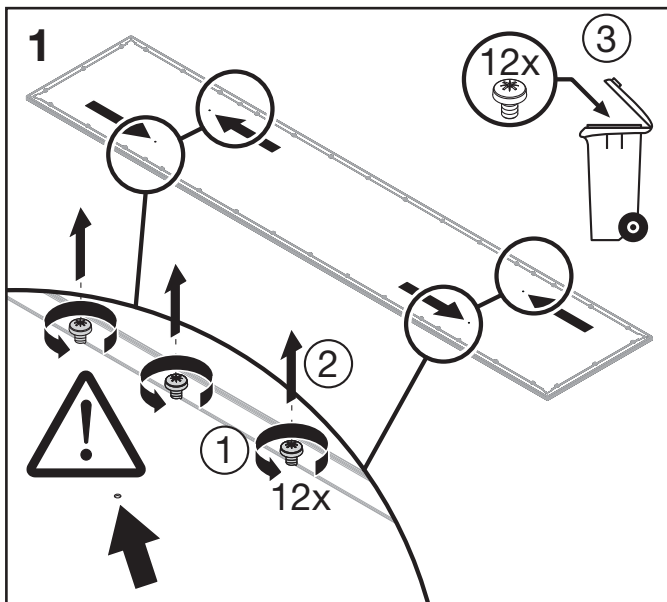
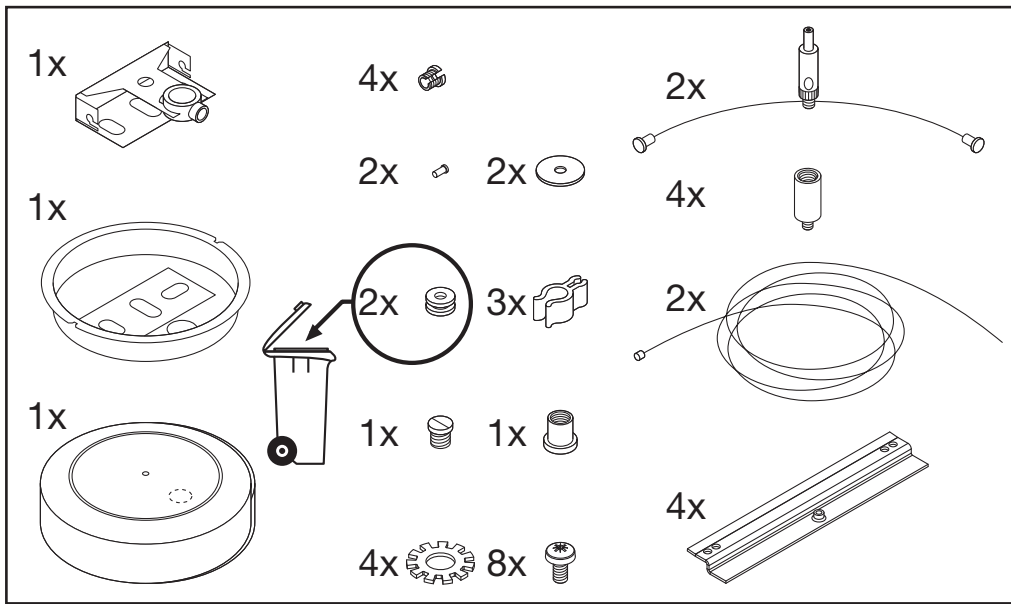
Suspension Kit  
ON / OFF - DALI

59MQ30000021

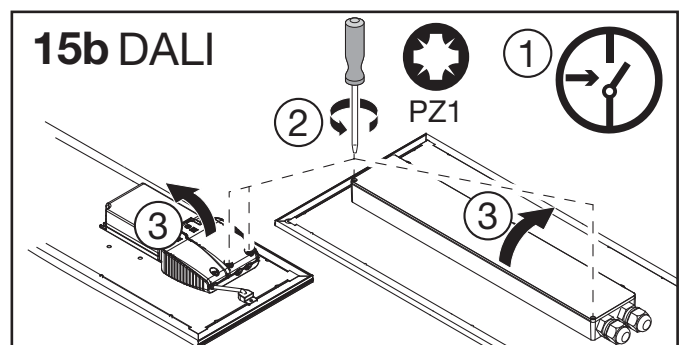
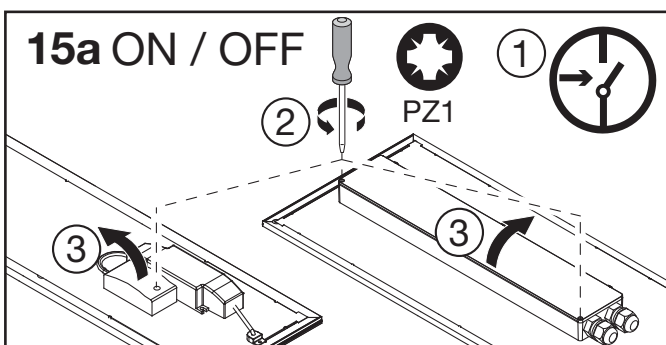
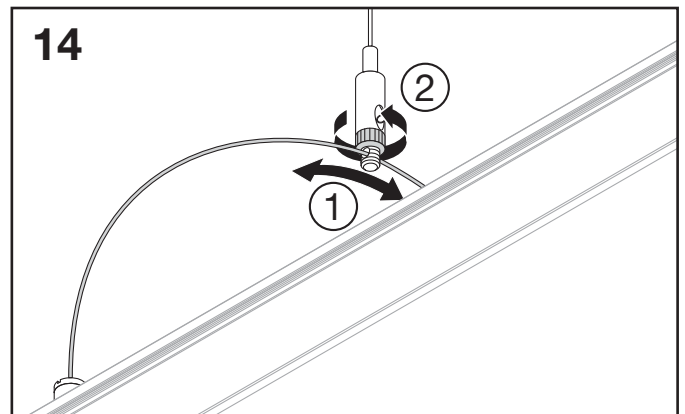
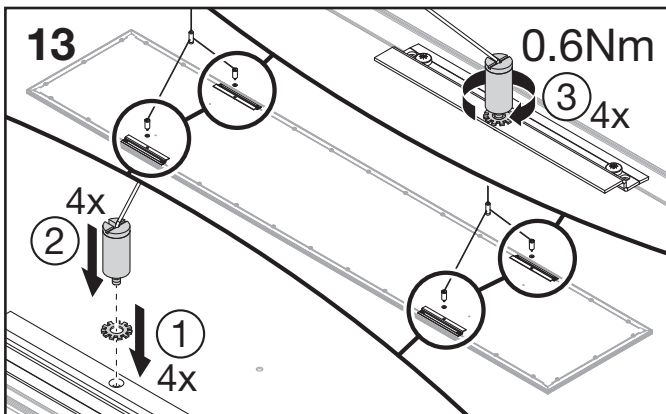
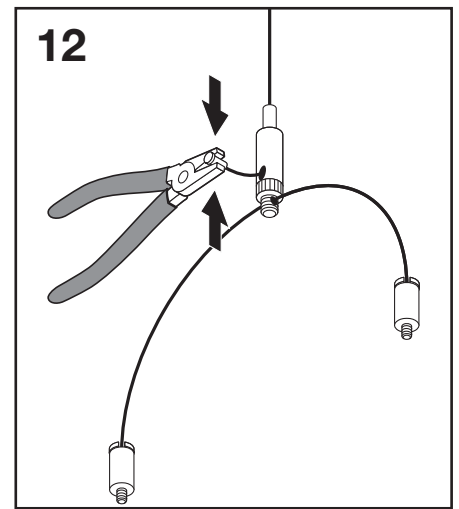
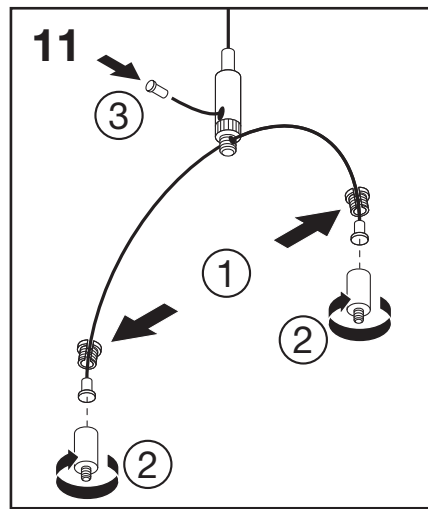
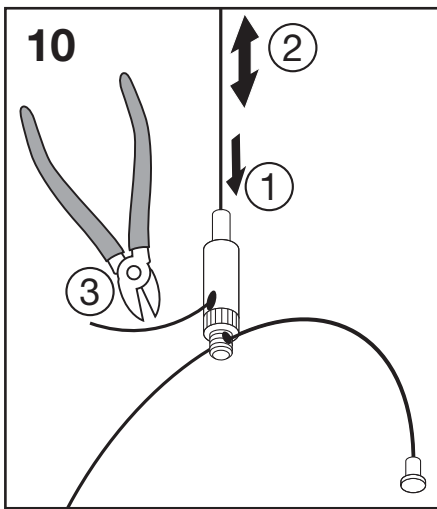
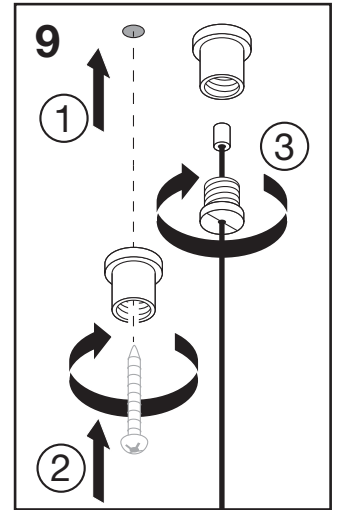
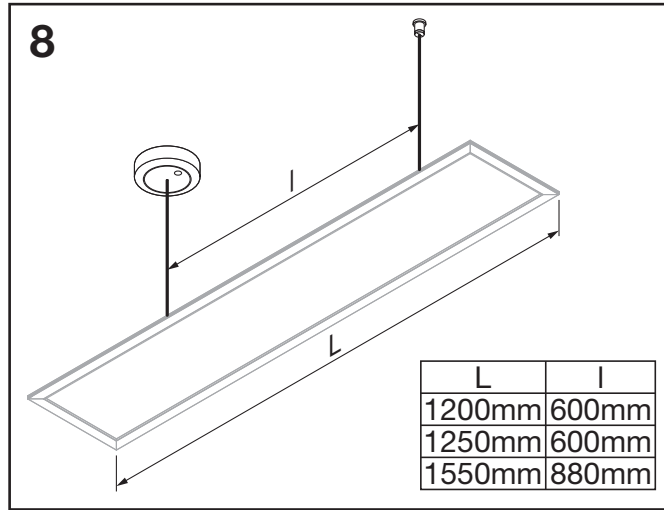
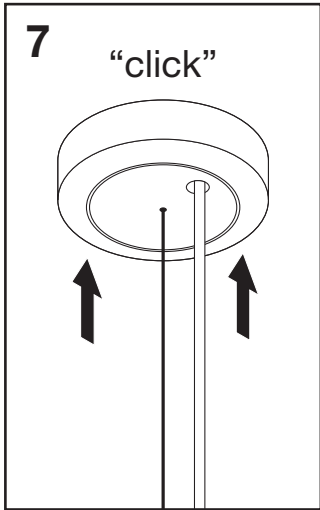


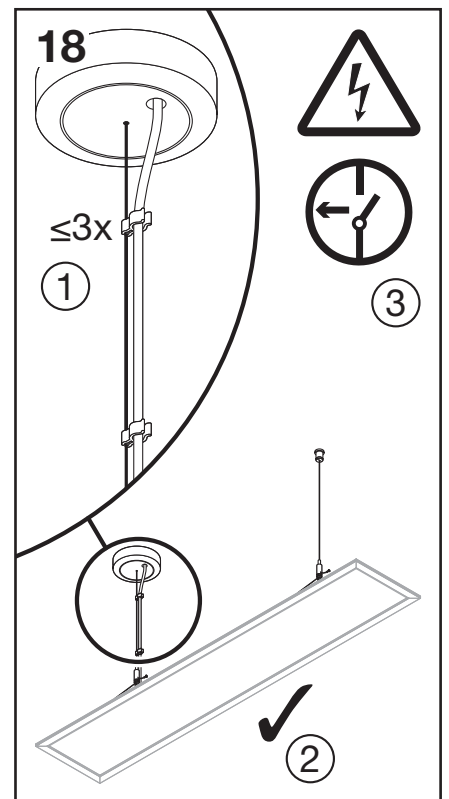
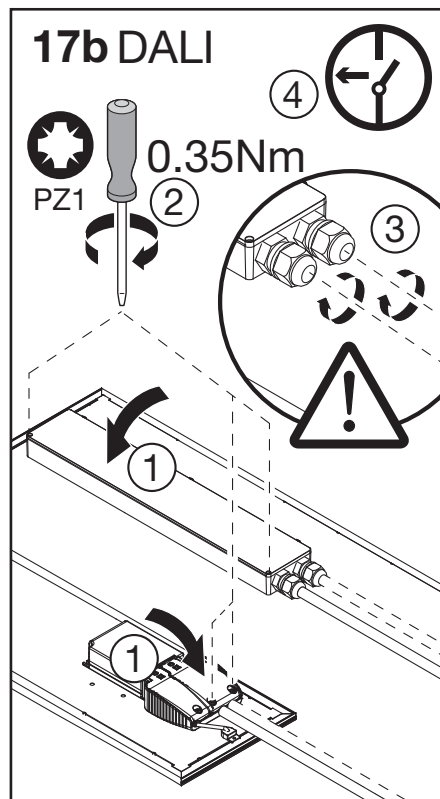
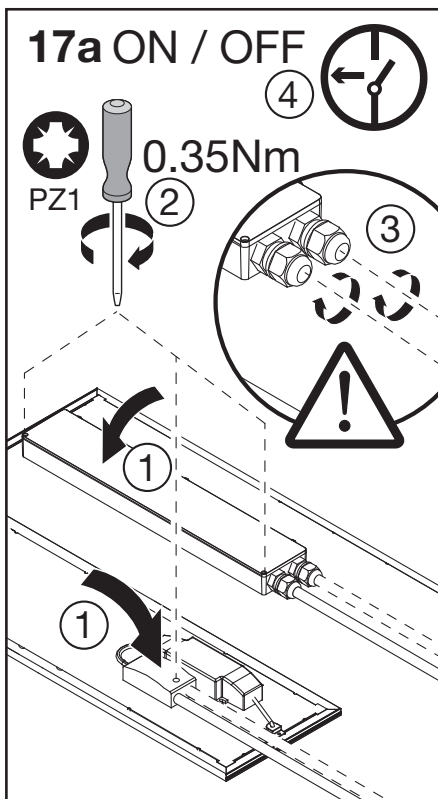
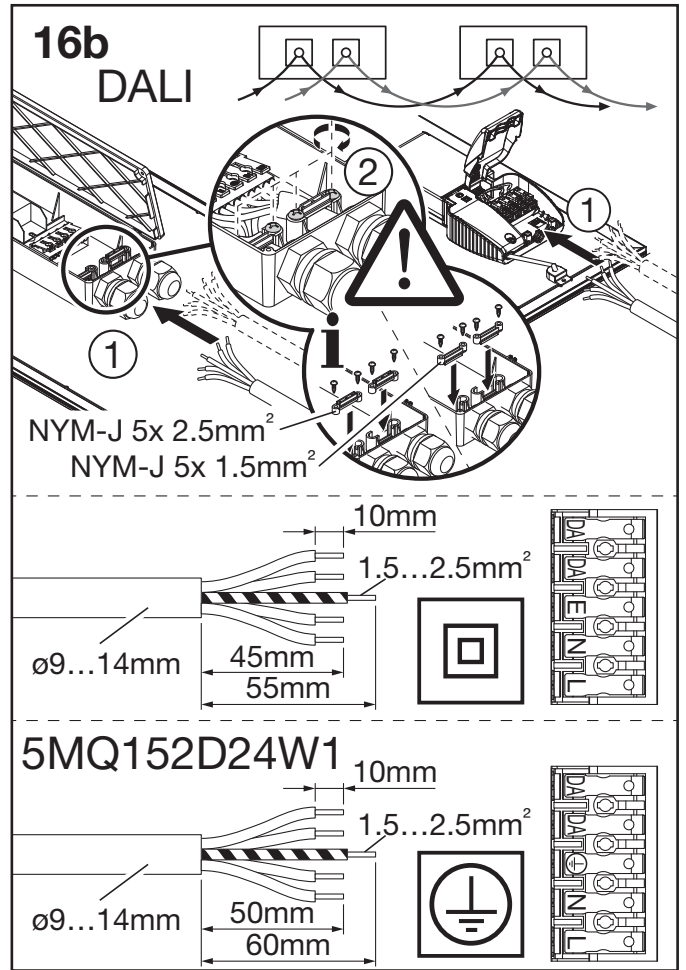
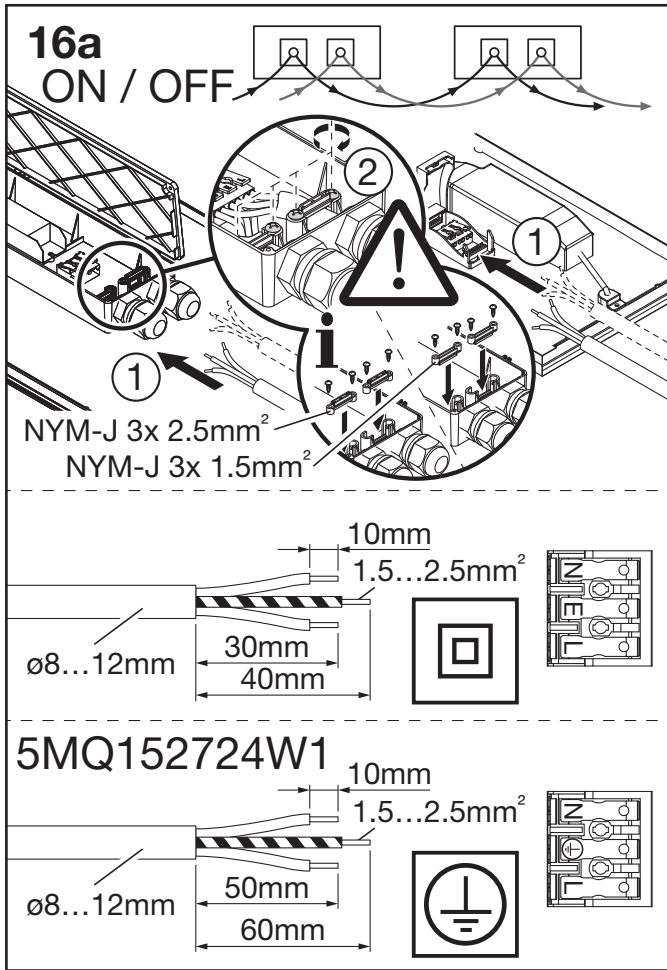
**siteco**

APOLLON® Suspension Kit



APOLLON® Suspension Kit





5MA24-255338\_ae  
10.11.2021 / KIN

Siteco GmbH  
Georg-Simon-Ohm-Straße 50  
83301 Traunreut, Germany  
mail: [technicalsupport@siteco.de](mailto:technicalsupport@siteco.de)  
Phone: +49 8669 / 33-844  
[www.siteco.com](http://www.siteco.com)