

# DL 500 iQ

## Seilauhänger / wire hanger

5XJ39000108

5XJ39000107

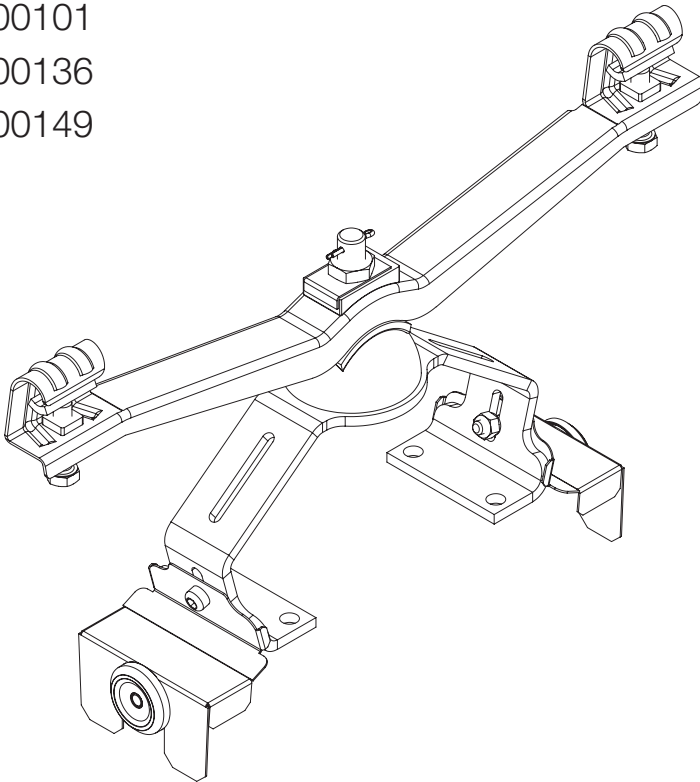
5XJ39000106

5XJ39000116

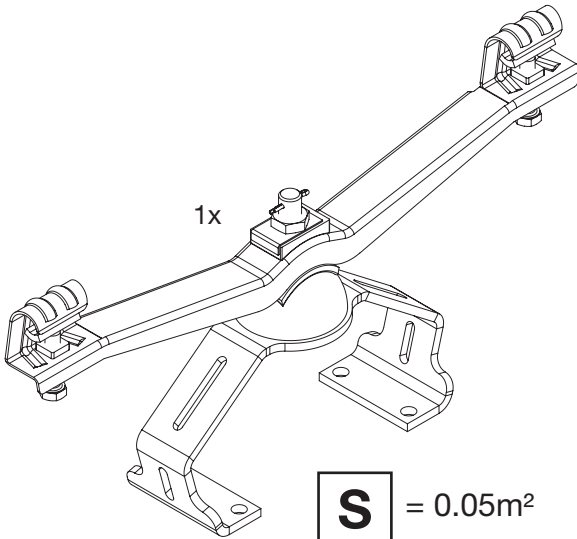
5XJ39000101

5XJ39000136

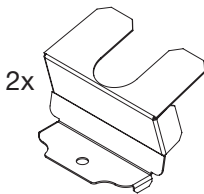
5XJ39000149



[ mm ]

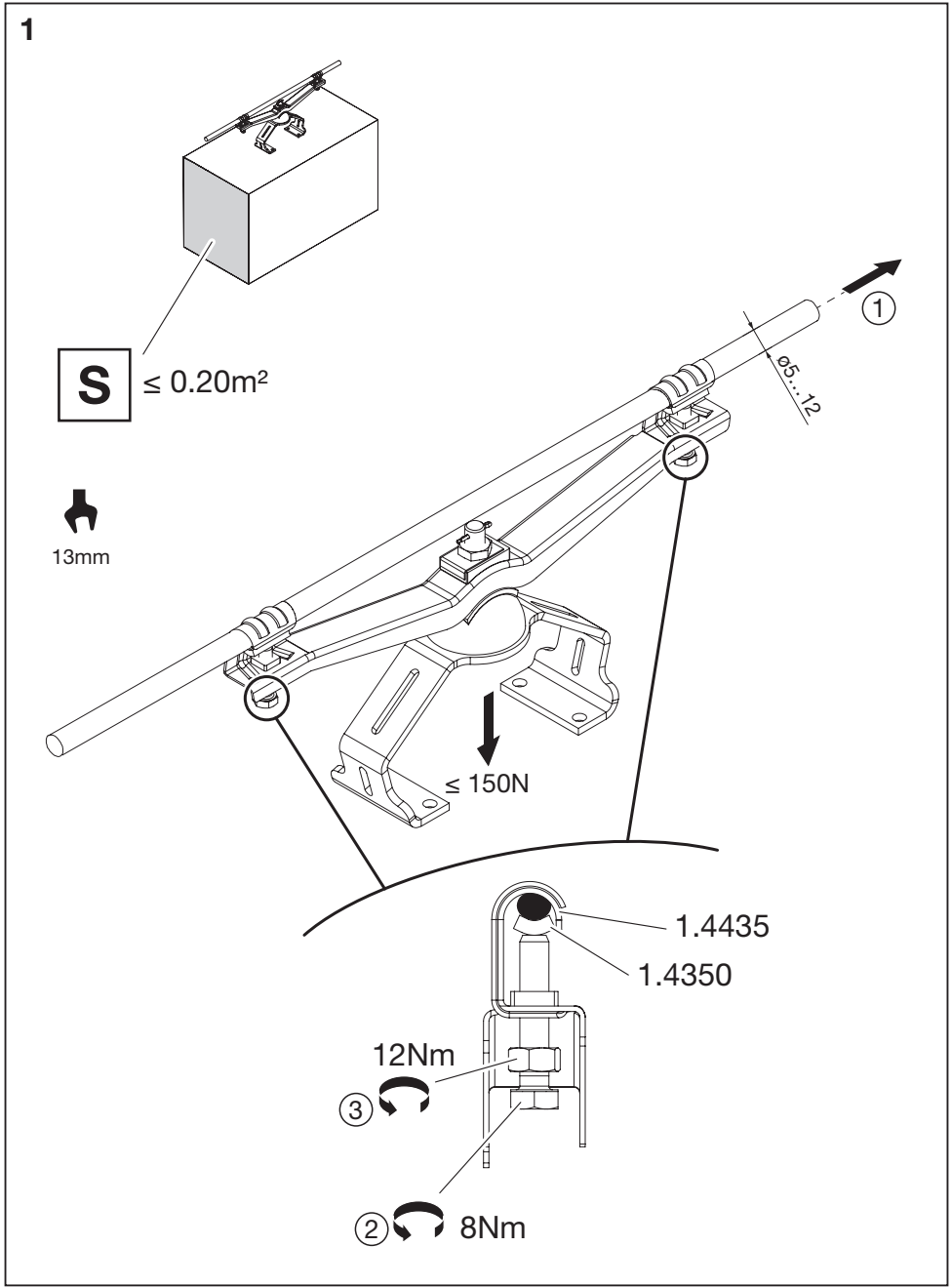


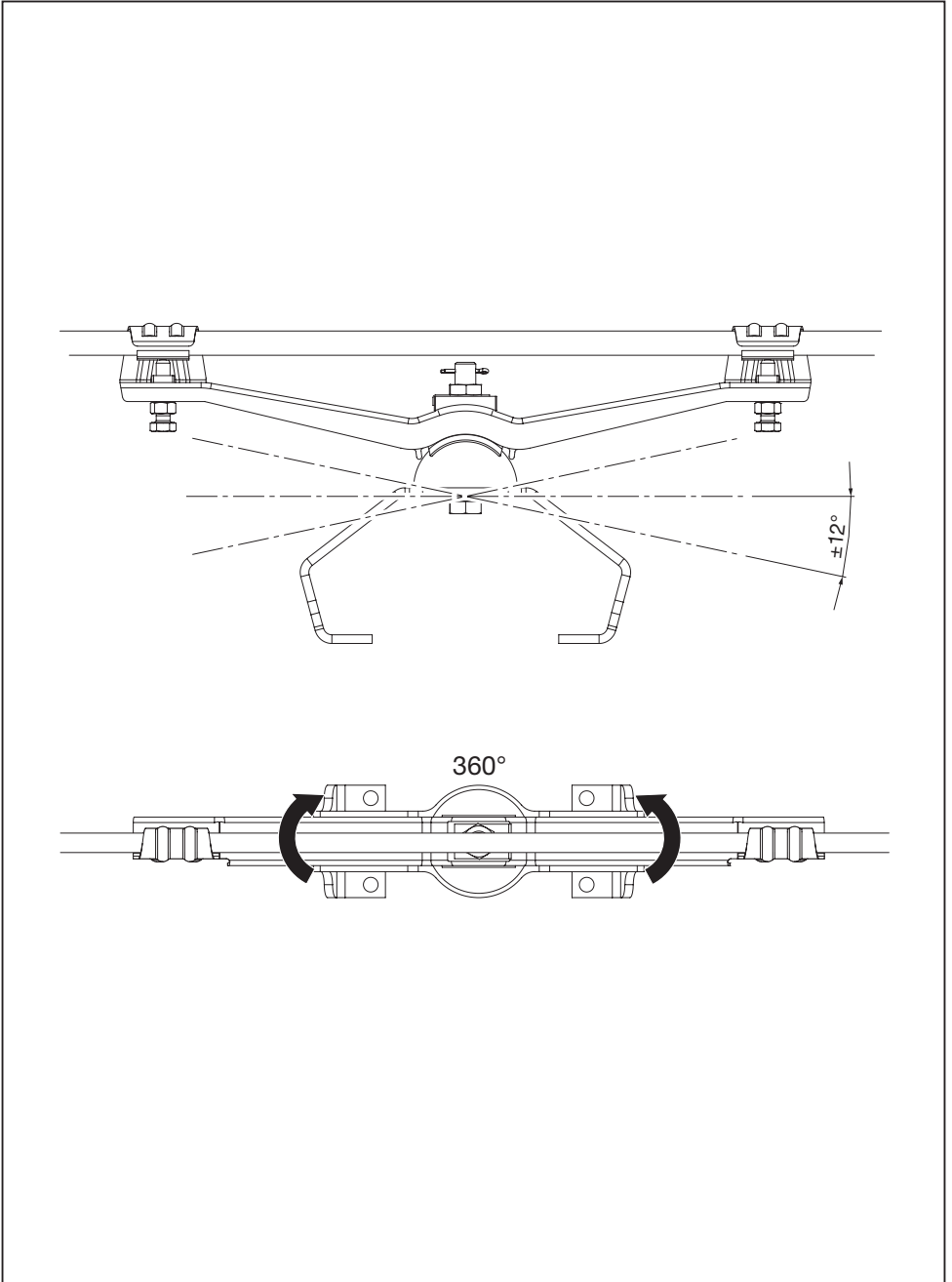
**S** = 0.05m<sup>2</sup>



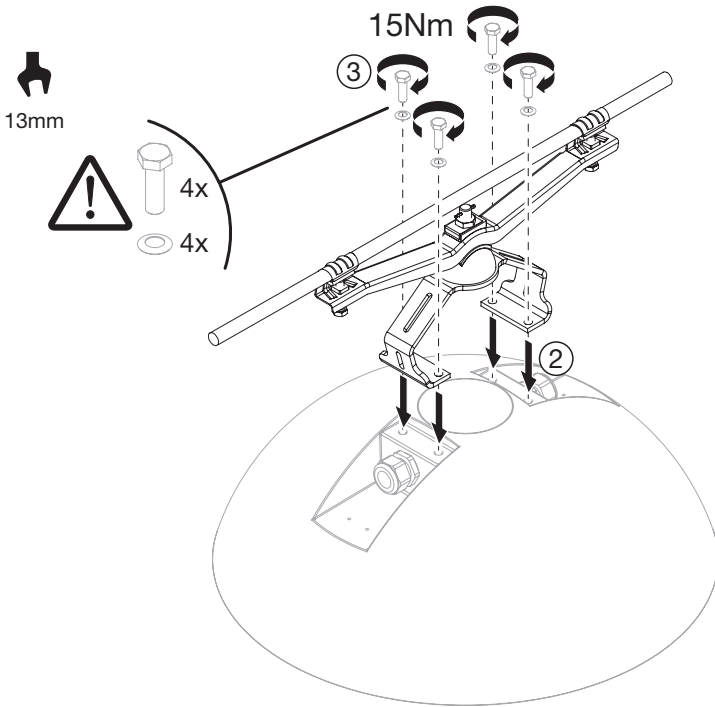
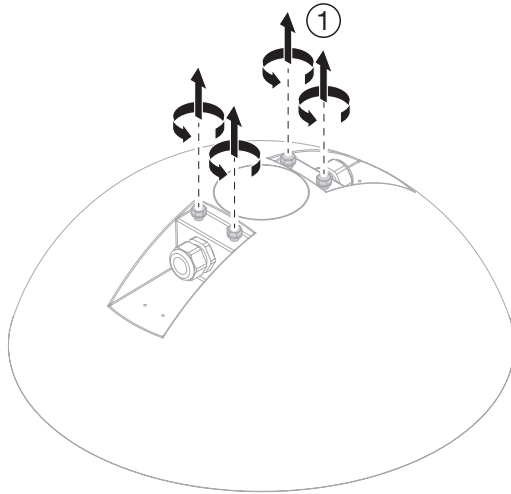
- 5XJ39000108
- 5XJ39000107
- 5XJ39000106
- 5XJ39000116
- 5XJ39000101
- 5XJ39000136
- 5XJ39000149

**kg** ≤ 1.3

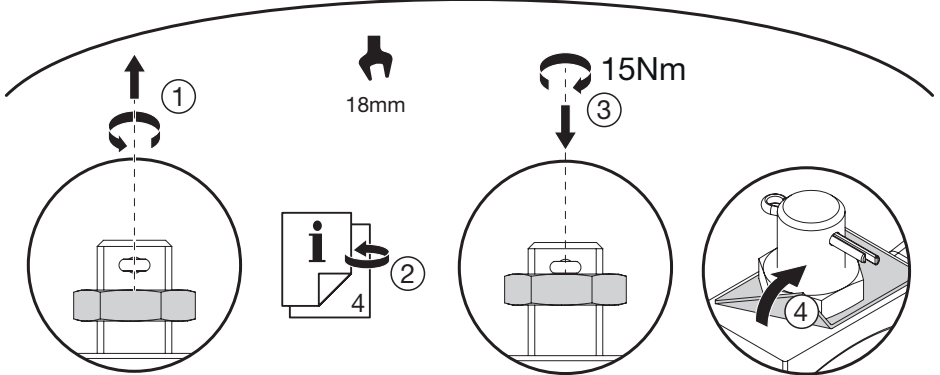
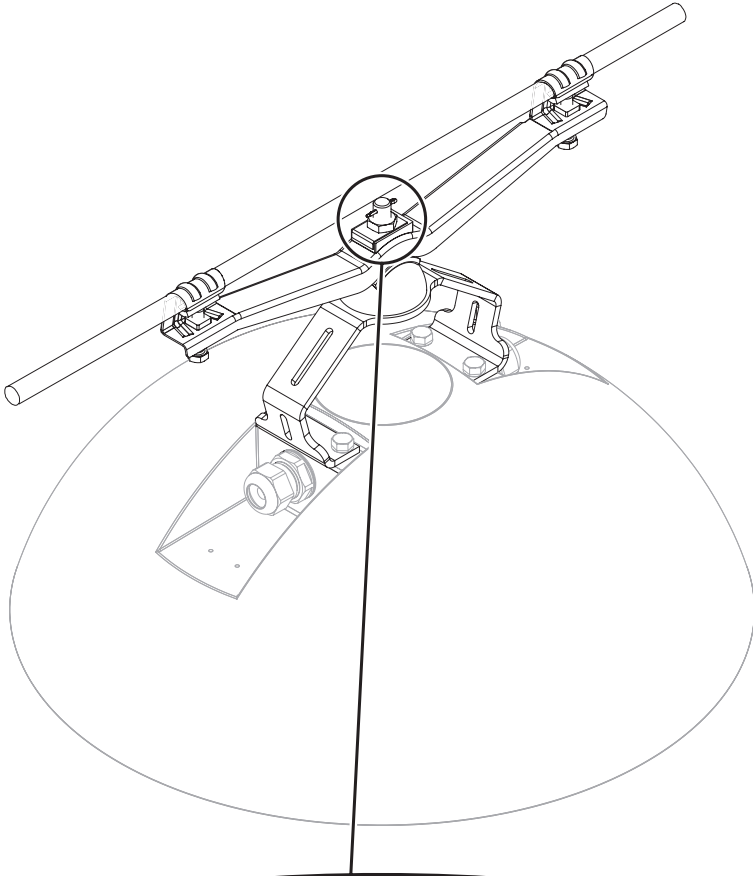


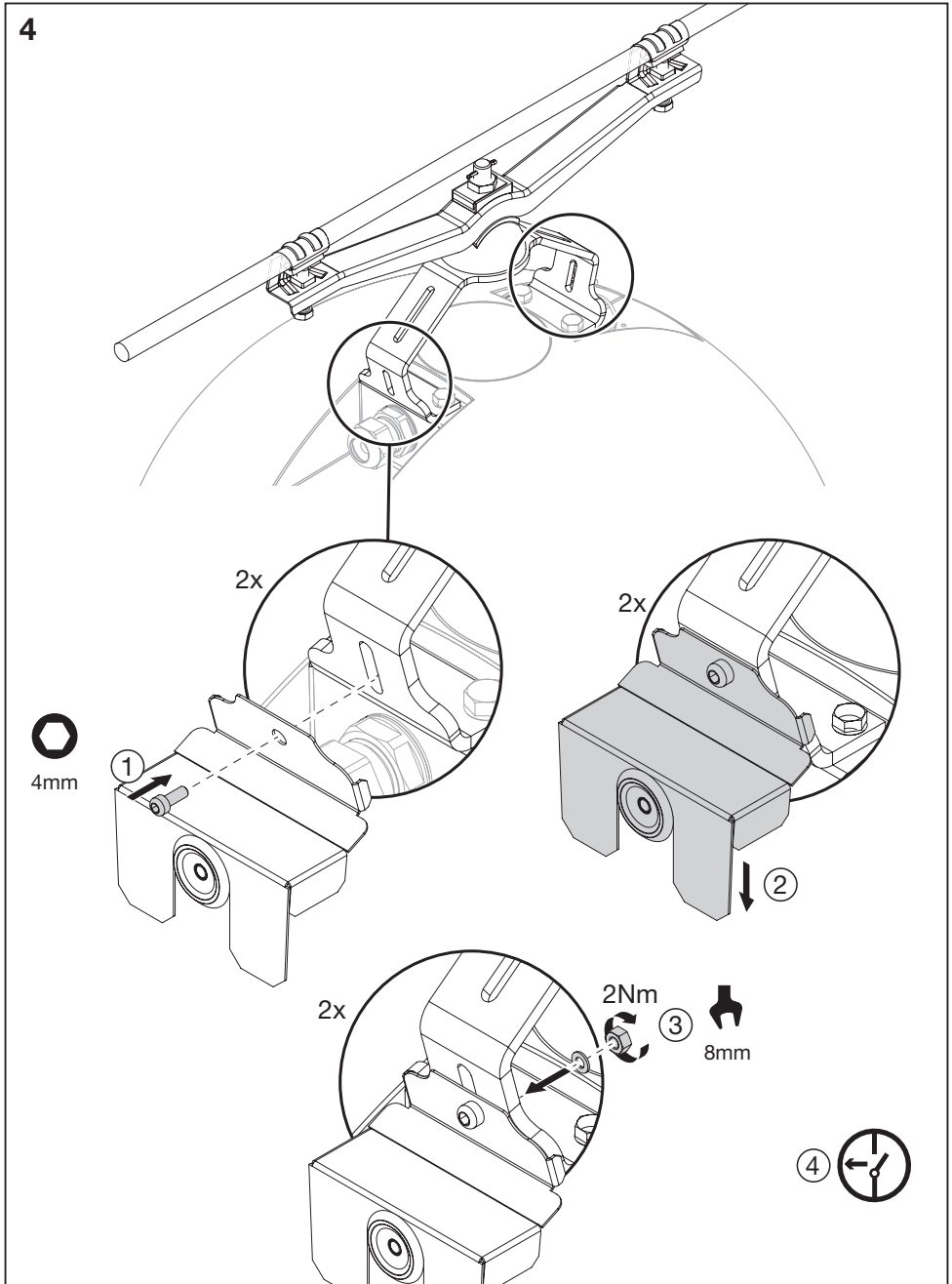


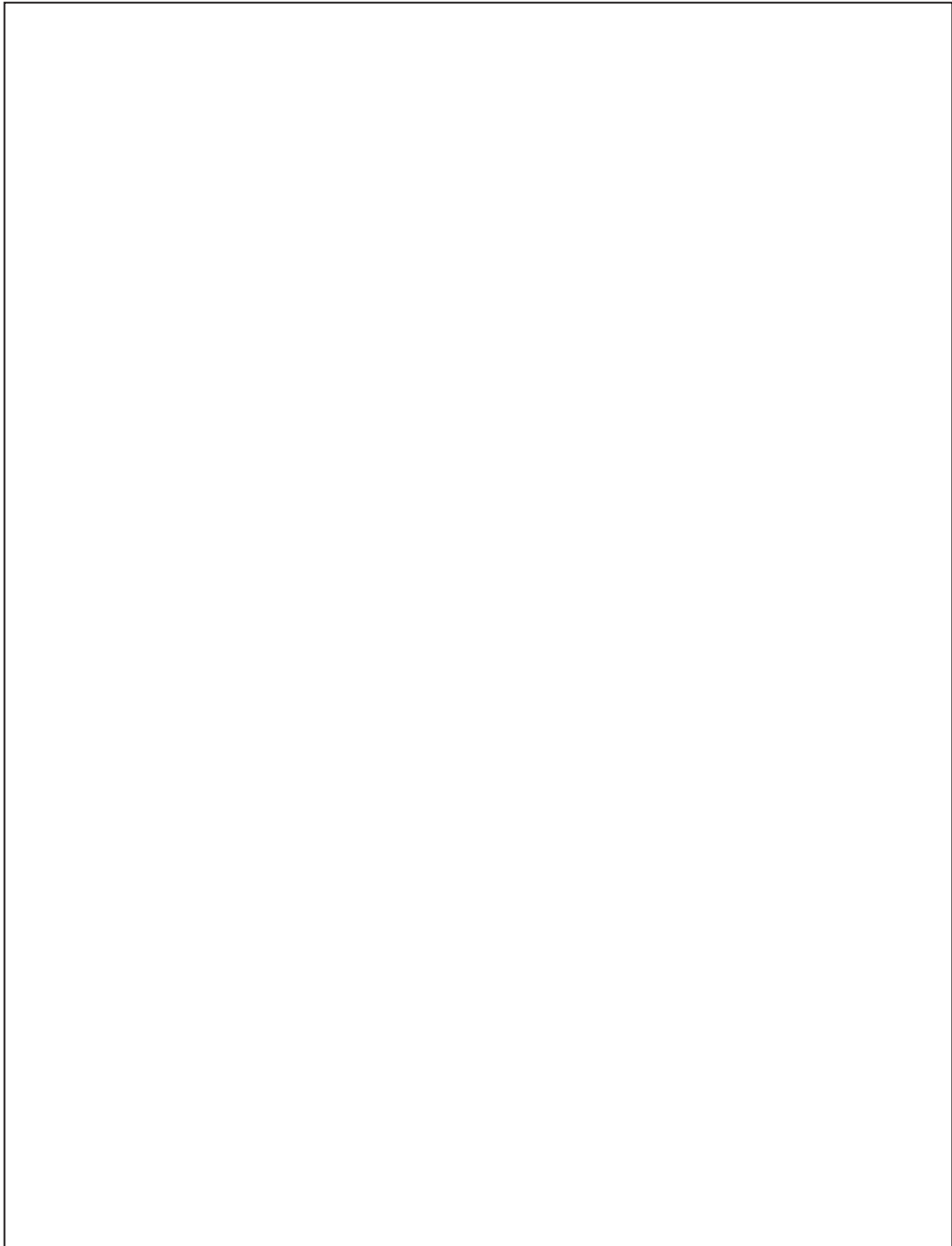
2



3







5MA72-269343\_ae  
15.01.2026 / PZ

Siteco GmbH  
Georg-Simon-Ohm-Straße 50  
83301 Traunreut, Germany  
mail: [technicalsupport@siteco.de](mailto:technicalsupport@siteco.de)  
Phone: +49 8669 / 33-844  
[www.siteco.com](http://www.siteco.com)