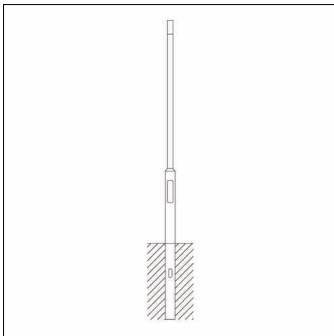


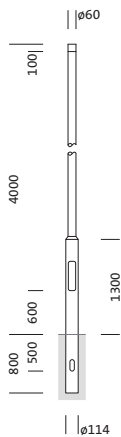
**Order No.:** 5NY231640AM08 | **GTIN (EAN):** 4039806381217

**Product description:** mast,cyl.off,steel,powd,DB702S,4m,Ø60



mast, mast, cylindrical offset, of steel, powder-coated, Siteco® metallic grey (DB 702S), height: 4.0m, spigot size: 60mm (post-top), planted section: h= 800mm / Ø= 114mm, standard: DIN EN 40, packaging unit: 1 piece

Wt. (kg): 28.0  
 GTIN (EAN): 4039806381217



It is mandatory that the assembly instructions must be observed when planning and installing the electrical installation (to be found at [www.siteco.de](http://www.siteco.de))  
 Tolerances related to thermal, electrical and photometric data according to IEC 62722  
 Issued 22.12.2023 - Modifications and errors subject to change - Ensure that you always use the latest version -

Order No.: 5NY231640AM08 | GTIN (EAN): 4039806381217

Detailed technical description: mast,cyl.off,steel,powd,DB702S,4m,Ø60



#### Key data

- Product type: mast
- Product name: mast
- Order No.: 5NY231640AM08

#### Certificates, Standards

- Standard: DIN EN 40

#### Material, Colour

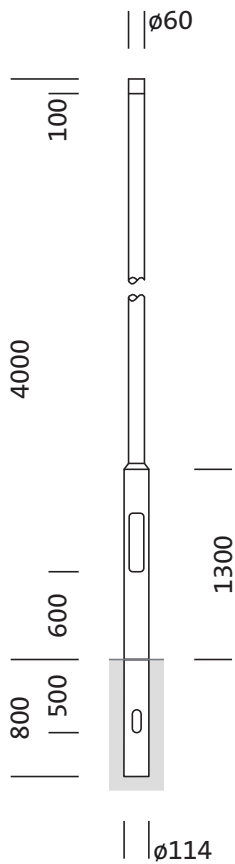
- mast: steel, powder-coated, Siteco® metallic grey (DB 702S), cylindrical offset
- Colour specification: Siteco® metallic grey (DB 702S)

#### Dimensions, Weight

- Height: 4.0m
- Weight: 28.0kg
- Mast spigot: spigot size: 60mm
- Planted section: h= 800mm / Ø= 114mm

Order No.: 5NY231640AM08 | GTIN (EAN): 4039806381217

Dimensions: mast,cyl.off,steel,powd,DB702S,4m,Ø60



It is mandatory that the assembly instructions must be observed when planning and installing the electrical installation (to be found at [www.siteco.de](http://www.siteco.de))

Tolerances related to thermal, electrical and photometric data according to IEC 62722

Issued 22.12.2023 - Modifications and errors subject to change - Ensure that you always use the latest version -