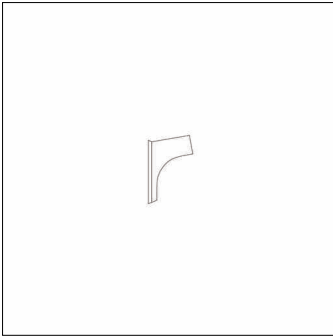


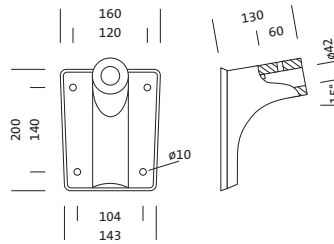
Order No.: 5NY51001 | GTIN (EAN): 4039806199898

Product description: wallflØ42,coat,gy



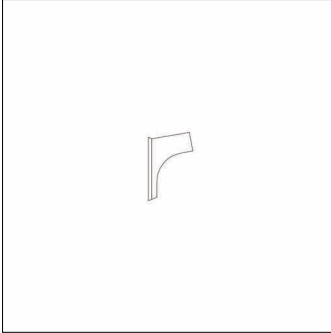
wall flange, wall flange, of diecast aluminium, coated, light grey (RAL 7035),
packaging unit: 1 piece

Wt. (kg): 0.9
GTIN (EAN): 4039806199898



Order No.: 5NY51001 | GTIN (EAN): 4039806199898

Detailed technical description: wallflØ42,coat,gy



Key data

- Product type: wall flange
- Product name: without family assignment
- Order No.: 5NY51001

Material, Colour

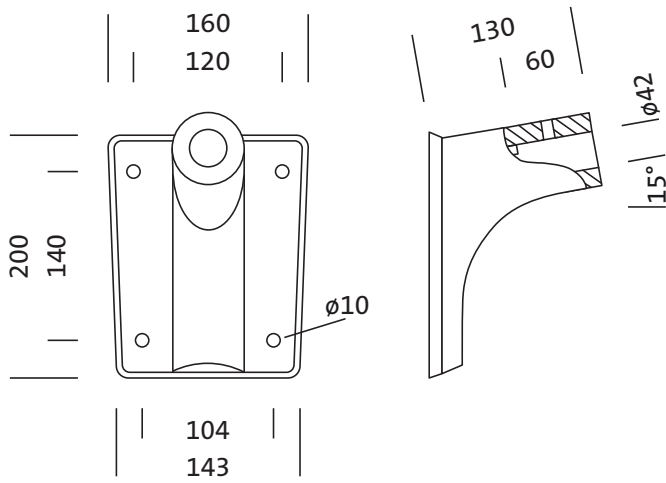
- wall flange: diecast aluminium, coated, light grey (RAL 7035)
- Colour specification: light grey (RAL 7035)

Dimensions, Weight

- Weight: 0.9kg

Order No.: 5NY51001 | GTIN (EAN): 4039806199898

Dimensions: wallflØ42,coat,gy



It is mandatory that the assembly instructions must be observed when planning and installing the electrical installation (to be found at www.siteco.de)

Tolerances related to thermal, electrical and photometric data according to IEC 62722

Issued 24.02.2023 - Modifications and errors subject to change - Ensure that you always use the latest version -