

Order No.: 5MB251DL30840 | **GTIN (EAN):** 4052899488823

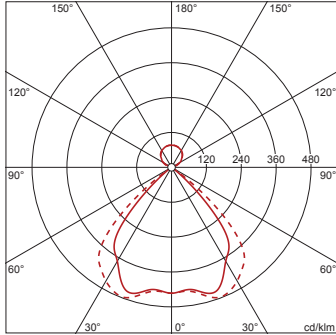
Product description: Arktika[®] 21 off-lum, LED, 4400lm, DALI, dir/ind



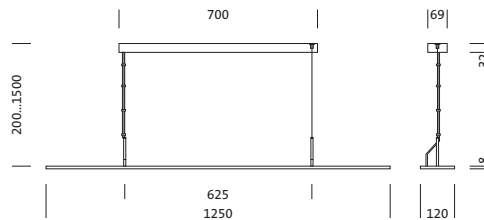
Arktika[®] 21, office luminaire, primary anti-glare with honeycomb louvre, of plastic, aluminium vaporised, highly specular, light emission: direct/indirect distribution, primary light characteristic: symmetric, installation type: suspended mounting, LED, rated luminous flux: 4.400lm, luminous efficacy: 131lm/W, light colour: 840, colour temperature: 4000K, control gear: ECG DALI, with terminal, 3+2-pole, max. 2.5mm², mains connection: 220..240V, AC, 50/60Hz, rated input power: 34W, housing, of aluminium, powder-coated, traffic white (RAL 9016), 1-length, length: 1.250mm, width: 120mm, height: 8mm, protection rating (complete): IP20, insulation class (complete): insulation class II (safety insulation), certification: CE, ENEC, VDE, packaging unit: 1 piece

4052899488823
5MB251DL30840

LED 4000K / CRI ≥ 80 Φ_N 4400 lm



Lamps: LED
Wt. (kg): 1.8
GTIN (EAN): 4052899488823



It is mandatory that the assembly instructions must be observed when planning and installing the electrical installation (to be found at www.siteco.de)

Tolerances related to thermal, electrical and photometric data according to IEC 62722

Issued 08.09.2023 - Modifications and errors subject to change - Ensure that you always use the latest version -

Order No.: 5MB251DL30840 | GTIN (EAN): 4052899488823

Detailed technical description: Arktika[®] 21 off-lum,LED,4400lm840,DALI,dir/ind



Key data

- Product type: office luminaire
- Product name: Arktika[®] 21
- Order No.: 5MB251DL30840

Lighting technology | Lamps | Control gear

Component 1

Lighting technology:

- Glare reduction: honeycomb louvre of plastic, aluminium vaporised, highly specular
- Beam angle: wide distribution, 95°
- Symmetry: symmetric
- Light emission: direct/indirect distribution, 75:25
- UGR viewing direction along longitudinal luminaire axis: ≤ 19

Lamps:

- Lamps: with LED
- Rated luminous flux: 4400lm
- Luminous efficacy: 131lm/W
- Colour temperature: 4000K
- Colour rendering index: CRI > 80
- Light colour: 840
- SDCM (Standard Deviation of Colour Matching): MacAdam ≤ 3 SDCM (initial)
- Rated input power: 34W

Operating device:

- Control gear: ECG DALI
- Control: DALI

Certificates, Standards

- Protection rating: IP20
- Insulation class: insulation class II (safety insulation)
- Certification, designation: CE, ENEC, VDE

Material, Colour

- housing: aluminium, powder-coated, traffic white (RAL 9016), 1-length
- Colour specification: traffic white (RAL 9016)

Mounting

- Mounting method, mounting location: suspended mounting, to the wire suspension, to the ceiling
- Recommended suspension height: 0.2..1.5m

Electrical connection

- Connection: terminal, 3+2-pole, max. 2.5mm²
- Nominal voltage: 220..240V, 50/60Hz, AC

Dimensions, Weight

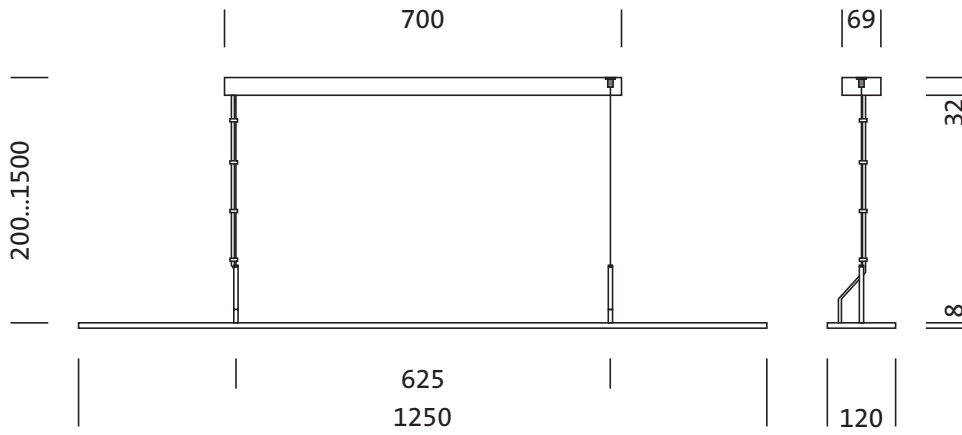
- Length: 1250mm
- Width: 120mm
- Height: 8mm
- Weight: 1.8kg

Service life

- Rated service life: 50000h (L80/B50) at AT = 25°C

Order No.: 5MB251DL30840 | GTIN (EAN): 4052899488823

Dimensions: Arkt21 off-lum,LED,4400lm840,DALI,dir/ind



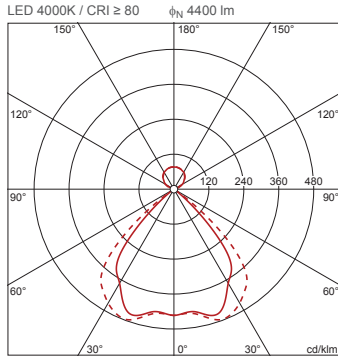
It is mandatory that the assembly instructions must be observed when planning and installing the electrical installation (to be found at www.siteco.de)
Tolerances related to thermal, electrical and photometric data according to IEC 62722
Issued 08.09.2023 - Modifications and errors subject to change - Ensure that you always use the latest version -

Order No.: 5MB251DL30840 | GTIN (EAN): 4052899488823

Planning data: Arkt21off-lum,LED,4400lm840,DALI,dir/ind

5MB251DL30840: 1x LED
4000K / CRI ≥ 80

4052899488823
 5MB251DL30840



ϕ_{\downarrow} 79% ϕ_{\uparrow} 21%

Luminance values (cd/m²)

	C 0/180	C 90/270
L ₈₀	217	325
L ₇₀	292	296
L ₆₅	363	339

UGR 18.5 19

X 4H Y 8H ρ 70/50/20 S 0.25H

No. of luminaires in room

Reflection factors 70/50/20

Em(lx)	100		200		500	
	2.5	3.0	2.5	3.0	2.5	3.0
Lh(m)	2.5	3.0	2.5	3.0	2.5	3.0
20 m ²	0.6	0.7	1.2	1.3	3.0	3.4
30 m ²	1.0	1.1	2.0	2.2	5.0	5.4
40 m ²	1.3	1.4	2.5	2.8	6.3	6.9
50 m ²	1.5	1.7	3.0	3.3	7.6	8.3
75 m ²	2.3	2.4	4.6	4.9	12	12
100 m ²	2.9	3.1	5.9	6.3	15	16
500 m ²	14	14	28	29	70	72

Maintenance factor 0.8

Rh = Lh + 0.5 m

It is mandatory that the assembly instructions must be observed when planning and installing the electrical installation (to be found at www.siteco.de)

Tolerances related to thermal, electrical and photometric data according to IEC 62722

Issued 08.09.2023 - Modifications and errors subject to change - Ensure that you always use the latest version -