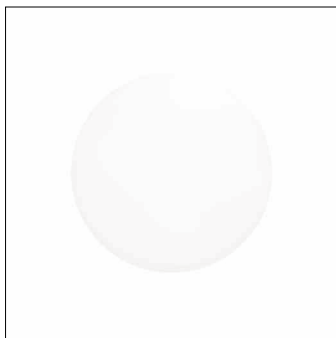
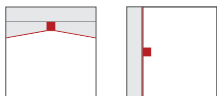


**Order No.:** 51WD107BG2A | **GTIN (EAN):** 4058352520963

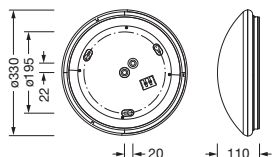
**Product description:** Rond41M,2300lm830/840,0/1,PMMA,wh



Rondel 41-M, wall and ceiling luminaire, primary optical cover: enclosure, of PMMA, opal, light emission: direct distribution, primary light characteristic: symmetric, installation type: surface-mounted, LED, rated luminous flux: 2.300lm, luminous efficacy: 105lm/W, light colour: 830/840, colour temperature: 3000/4000K, control gear: ECG, with terminal, 3-pole, max. 2.5mm<sup>2</sup>, mains connection: 230V, AC, 50/60Hz, rated input power: 21W, luminaire housing, round, of steel, powder-coated, white, diameter: 330mm, height: 110mm, protection rating (complete): IP44, insulation class (complete): insulation class I (protective earthing), certification: CE, impact resistance: IK02, permissible operating ambient temperature: -30..+40°C, permissible storage temperature: -30..+80°C, packaging unit: 1 piece

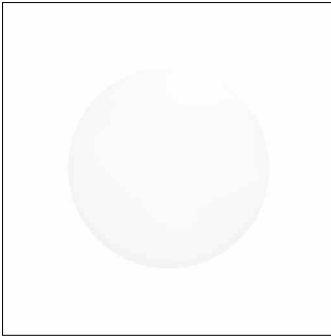
IP 44  

Lamps:	LED
Wt. (kg):	0.7
GTIN (EAN):	4058352520963



Order No.: 51WD107BG2A | GTIN (EAN): 4058352520963

Detailed technical description: Rond41M,2300lm830/840,0/1,PMMA,wh



#### Key data

- Product type: wall and ceiling luminaire
- Product name: Rondel 41-M
- Order No.: 51WD107BG2A

#### Lighting technology | Lamps | Control gear

##### Component 1

#### Lighting technology:

- Cover: enclosure, opal
- Beam angle: diffuse distribution
- Symmetry: symmetric
- Light emission: direct distribution

#### Lamps:

- Lamps: with LED
- Rated luminous flux: 2300lm
- Luminous efficacy: 105lm/W
- Colour temperature: 3000/4000K
- Colour rendering index: CRI > 80
- Light colour: 830/840
- SDCM (Standard Deviation of Colour Matching): MacAdam  $\leq$  5 SDCM (initial)
- Rated input power: 21W
- Supplement: colour temperature can be selected via DIP switch

#### Operating device:

- Control gear: ECG
- Control: ON/OFF

#### Certificates, Standards

- Protection rating: IP44
- Insulation class: insulation class I (protective earthing)
- Impact resistance: IK02
- Temperature range (operation): -30..+40°C
- Certification, designation: CE

#### Material, Colour

- luminaire housing: steel, powder-coated, white, round
- Colour specification: white
- Cover: enclosure of PMMA

#### Mounting

- Mounting method, mounting location: surface-mounted, to the ceiling, to the wall
- Arrangement: single arrangement

#### Electrical connection

- Connection: terminal, 3-pole, max. 2.5mm<sup>2</sup>
- Nominal voltage: 230V, 220..240V, 50/60Hz, AC

#### Dimensions, Weight

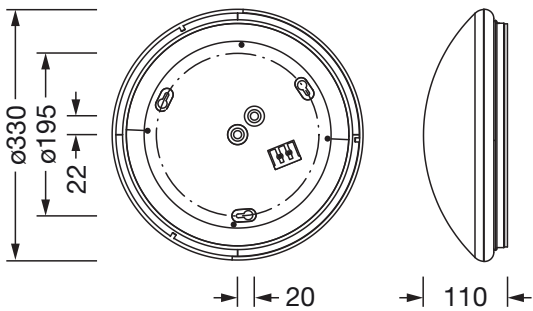
- Diameter: 330mm
- Height: 110mm
- Weight: 0.7kg

#### Service life

- Rated service life: 50000h (L80/B10) at AT = 25°C

Order No.: 51WD107BG2A | GTIN (EAN): 4058352520963

Dimensions: Rond41M,2300lm830/840,0/1,PMMA,wh



It is mandatory that the assembly instructions must be observed when planning and installing the electrical installation (to be found at [www.siteco.de](http://www.siteco.de))

Tolerances related to thermal, electrical and photometric data according to IEC 62722

Issued 08.09.2023 - Modifications and errors subject to change - Ensure that you always use the latest version -