

Order No.: 5MT316D03WD | **GTIN (EAN):** 4058352219119

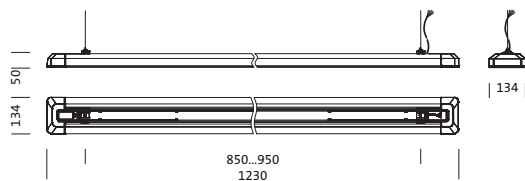
Product description: Tar21,LED5700lm830,DA,sp



Taris® 21, office luminaire, primary anti-glare with micro louvre, primary optical cover: axial lens, of PMMA, structured, CAT 2 ($L \leq 1500 \text{cd/m}^2$), light emission: direct/indirect distribution, primary light characteristic: symmetric, installation type: suspended mounting, LED, rated luminous flux: 5.700lm, luminous efficacy: 158lm/W, light colour: 830, colour temperature: 3000K, control gear: ECG DALI, with terminal, 5-pole, mains connection: 230V, AC, 50Hz, rated input power: 36W, housing, luminaire housing, of plastic, pure white, length: 1.230mm, width: 134mm, height: 50mm, protection rating (complete): IP20, insulation class (complete): insulation class I (protective earthing), certification: CE, protection symbol: F, impact resistance: IK02, permissible operating ambient temperature: 0...+35°C, standard: EN 50419, packaging unit: 1 piece

IP 20  

Lamps:	LED
Wt. (kg):	4.2
GTIN (EAN):	4058352219119



It is mandatory that the assembly instructions must be observed when planning and installing the electrical installation (to be found at www.siteco.de)

Tolerances related to thermal, electrical and photometric data according to IEC 62722

Issued 01.03.2024 - Modifications and errors subject to change - Ensure that you always use the latest version -

Order No.: 5MT316D03WD | GTIN (EAN): 4058352219119

Detailed technical description: Tar21,LED5700lm830,DA,sp



Key data

- Product type: office luminaire
- Product name: Taris® 21
- Order No.: 5MT316D03WD

Lighting technology | Lamps | Control gear

Component 1

Lighting technology:

- Cover: axial lens, structured
- Glare reduction: micro louvre
- Beam angle: wide distribution
- Symmetry: symmetric
- Light emission: direct/indirect distribution
- UGR viewing direction along longitudinal luminaire axis: ≤ 19
- UGR viewing direction along lateral luminaire axis: ≤ 19

Lamps:

- Lamps: with LED
- Rated luminous flux: 5700lm
- Luminous efficacy: 158lm/W
- Colour temperature: 3000K
- Colour rendering index: CRI > 80
- Light colour: 830
- SDCM (Standard Deviation of Colour Matching): MacAdam ≤ 3 SDCM (initial)
- Rated input power: 36W

Operating device:

- Control gear: ECG DALI
- Control: DALI

Certificates, Standards

- Protection rating: IP20
- Insulation class: insulation class I (protective earthing)
- Impact resistance: IK02
- Protection symbol: F
- Temperature range (operation): 0..+35°C
- Standard: EN 50419
- Certification, designation: CE

Material, Colour

- housing: plastic, pure white
- luminaire housing: plastic, pure white
- Colour specification: pure white
- Cover: axial lens of PMMA

Mounting

- Mounting method, mounting location: suspended mounting
- Arrangement: single arrangement

Electrical connection

- Connection: terminal, 5-pole
- Nominal voltage: 230V, 230..240V, 50Hz, AC

Dimensions, Weight

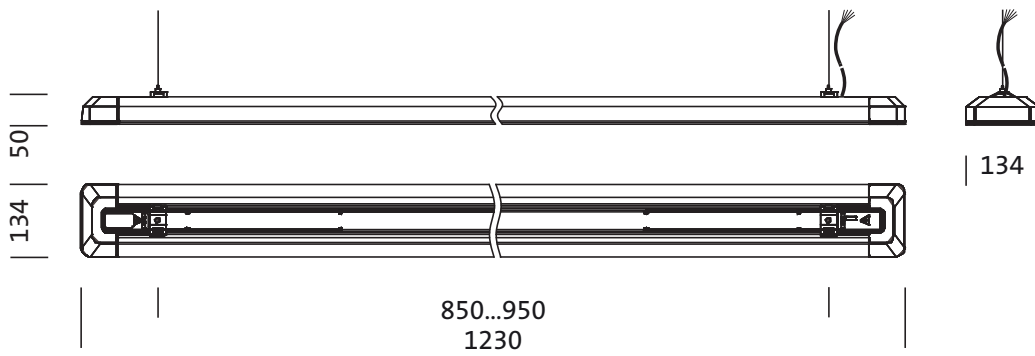
- Length: 1230mm
- Width: 134mm
- Height: 50mm
- Weight: 4.2kg

Service life

- Rated service life: 50000h (L80/B50) at AT = 25°C

Order No.: 5MT316D03WD | GTIN (EAN): 4058352219119

Dimensions: Tar21,LED5700lm830,DA,sp



Order No.: 5MT316D03WD | GTIN (EAN): 4058352219119

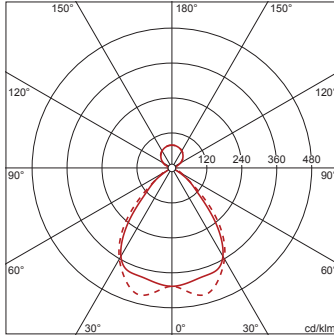
Planning data: Tar21,LED5700lm830,DA,sp

5MT316D03WD: 1x LED

4058352219119

5MT316D03WD

LED 3000 K | CRI ≥ 80 ϕ_{N} 5700 lm



ϕ_{d} 78% ϕ_{t} 22%

Luminance values (cd/m²)

	C 0/180	C 90/270
L ₈₀	1141	1693
L ₇₀	1252	2464
L ₆₅	1230	2759

UGR 15.7 16.8

X 4H Y 8H ρ 70/50/20 S 0.25H

It is mandatory that the assembly instructions must be observed when planning and installing the electrical installation (to be found at www.siteco.de)

Tolerances related to thermal, electrical and photometric data according to IEC 62722

Issued 01.03.2024 - Modifications and errors subject to change - Ensure that you always use the latest version -