

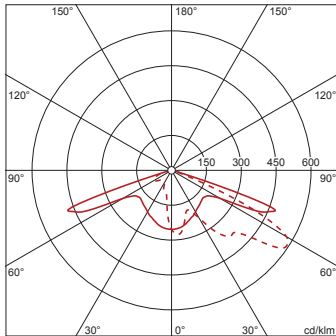
Order No.: 5XA7682E1D4AC | GTIN (EAN): 4058352223215

Product description: FL20md,PL52,21030lm830,PlusDA,mastad



4058352223215
5XA7682E1D4AC

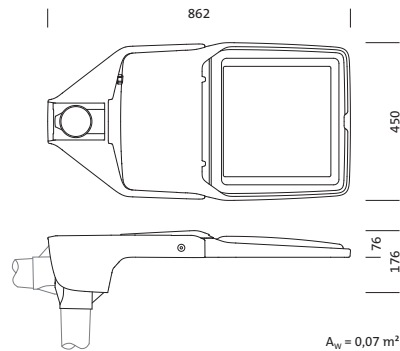
LED 3000K / CRI ≥ 80 Φ_{lm} 21030 lm



Floodlight FL 20 midi, floodlight, primary light control with lens, of plastic, primary optical cover: protective disc, of toughened safety glass, transparent, light distribution: PL52, light emission: direct distribution, primary light characteristic: asymmetric, installation type: side-entry, post-top, LED, High Power LED, rated luminous flux: 21.030lm, luminous efficacy: 101lm/W, light colour: 830, colour temperature: 3000K, control gear: ECG Plus, control: flexible luminous flux parameterisation, time-dependent luminous flux control, digital communication interface, overheat protection, power reduction, electronic power reduction, with terminal, 5-pole, max. 2.5mm², mains connection: 220..240V, AC, 50/60Hz, rated input power: 208W, LED unit, of diecast aluminium, powder-coated, Siteco® metallic grey (DB 702S), corrosivity category C5 mid according to DIN EN ISO 12944, please order mast flange separately, incl. 1x M20 cable gland for cable Ø 6.5..12mm, inclination adjustable: 0°, 3°, 8°, 15°, length: 862mm, width: 450mm, height: 176mm, housing frame, of diecast aluminium, powder-coated, Siteco® metallic grey (DB 702S), mast flange adapter, of diecast aluminium, powder-coated, Siteco® metallic grey (DB 702S), DALI, protection rating (complete): IP66, insulation class (complete): insulation class II (safety insulation), certification: CE, ENEC, VDE, protection symbol: D, permissible operating ambient temperature: -40..+40°C, permissible operating ambient temperature for outdoor applications: -40..+50°C, standard: DIN EN 12944, packaging unit: 1 piece



Lamps: LED
Wt. (kg): 16.5
GTIN (EAN): 4058352223215



Order No.: 5XA7682E1D4AC | GTIN (EAN): 4058352223215

Detailed technical description: FL20md,PL52,21030lm830,PlusDA,mastad



Key data

- Product type: floodlight
- Product name: Floodlight FL 20 midi
- Order No.: 5XA7682E1D4AC

Lighting technology | Lamps | Control gear

Component 1

Lighting technology:

- Light control: lens of plastic
- Cover: protective disc, transparent
- Light distribution: PL52
- Symmetry: asymmetric distribution
- Light emission: direct distribution

Lamps:

- Lamps: with High Power LED, LED
- Rated luminous flux: 21030lm
- Luminous efficacy: 101lm/W
- Colour temperature: 3000K
- Colour rendering index: CRI > 80
- Light colour: 830
- Rated input power: 208W

Operating device:

- Control gear: ECG Plus
- Control: Plus/DALI
- Equipment: overheat protection, power reduction, digital communication interface, time-dependent luminous flux control, flexible luminous flux parameterisation
- Switching method: electronic power reduction

Certificates, Standards

- Protection rating: IP66
- Insulation class: insulation class II (safety insulation)
- Protection symbol: D
- Temperature range (operation): -40..+40°C
- Standard: DIN EN 12944
- Corrosion protection: corrosivity category C5 mid according to DIN EN ISO 12944
- Certification, designation: CE, ENEC, VDE

Material, Colour

- LED unit: diecast aluminium, powder-coated, Siteco® metallic grey (DB 702S), please order mast flange separately, inclination adjustable: 0°, 3°, 8°, 15°, incl. 1x M20 cable gland for cable Ø 6.5..12mm
- Colour specification: Siteco® metallic grey (DB 702S)
- housing frame: diecast aluminium, powder-coated, Siteco® metallic grey (DB 702S)
- Colour specification: Siteco® metallic grey (DB 702S)
- mast flange adapter: diecast aluminium, powder-coated, Siteco® metallic grey (DB 702S)
- Colour specification: Siteco® metallic grey (DB 702S)
- Cover: protective disc of toughened safety glass

Mounting

- Mounting method, mounting location: side-entry, post-top, to mast, to mast bracket
- Arrangement: single arrangement
- Supplement: with mast flange adapter

Electrical connection

- Connection: terminal, 5-pole, max. 2.5mm²
- Nominal voltage: 220..240V, 50/60Hz, AC
- Surge voltage resistance: 10kV 1.2/50µs

Dimensions, Weight

- Length: 862mm
- Width: 450mm
- Height: 176mm
- Weight: 16.5kg

Light emission

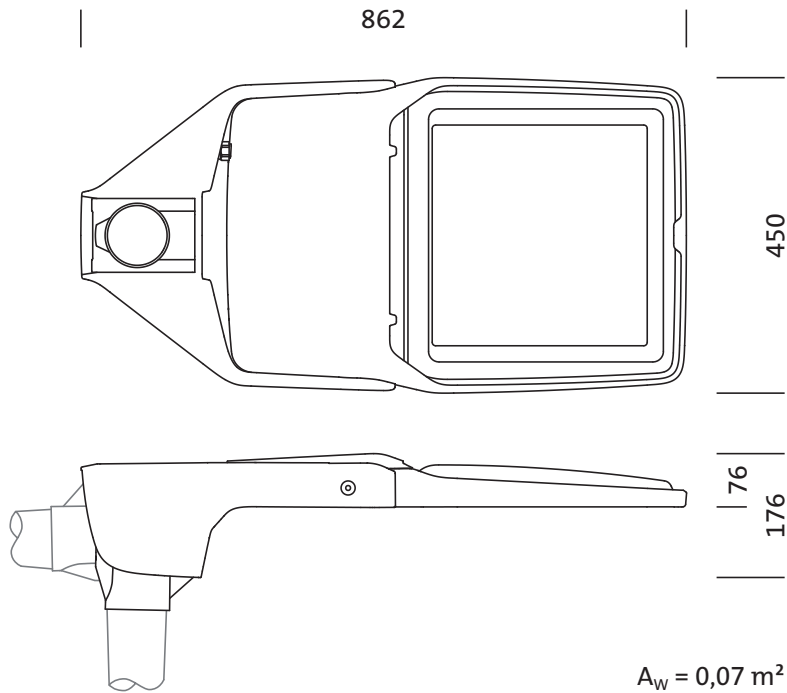
- Light emission: 0% at 0° inclination

Service life

- Rated service life: 100000h (L97/B10) at AT = 25°C, 50000h (L98/B10) at AT = 25°C

Order No.: 5XA7682E1D4AC | GTIN (EAN): 4058352223215

Dimensions: FL20md,PL52,21030lm830,PlusDA,mastad



$A_w = 0,07 \text{ m}^2$

Order No.: 5XA7682E1D4AC | GTIN (EAN): 4058352223215

Planning data: FL20md,PL52,21030lm830,PlusDA,mastad

5XA7682E1D4AC: 1x LED
3000K / CRI \geq 80

4058352223215

5XA7682E1D4AC

LED 3000K / CRI \geq 80

Φ_{N} 21030 lm



— C 0/180 - - - C 90/270

Luminous intensity class according to
EN13201-2: G3