

Order No.: 5MX51BS3WZK00002XX | **GTIN (EAN):** 4058352370117

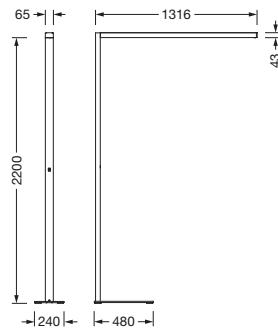
Product description: Sil11FL,12460lm840,DA,wh



Silica® 11 Floor, floorstanding luminaire, of PMMA, primary optical cover: cover panel, of PMMA, light emission: indirect/direct distribution, primary light characteristic: symmetric, installation type: not mounted, LED, rated luminous flux: 12.460lm, luminous efficacy: 157lm/W, light colour: 840, colour temperature: 4000K, daylight-dependent control, mains connection: 230V, AC, 50Hz, connection cable pre-assembled, cable length: 3m, rated input power: 79W, luminaire head, rectangular, rounded, of aluminium, coated, traffic white (RAL 9016), supporting column, angular, of aluminium, coated, traffic white (RAL 9016), baseplate, of steel, coated, traffic white (RAL 9016), length: 1.316mm, width: 65mm, protection rating (complete): IP20, insulation class (complete): insulation class I (protective earthing), certification: CE, permissible operating ambient temperature: 0..+35°C, standard: EN 50419, packaging unit: 1 piece

IP 20  

Lamps:	LED
Wt. (kg):	18.6
GTIN (EAN):	4058352370117



Order No.: 5MX51BS3WZK00002XX | GTIN (EAN): 4058352370117

Detailed technical description: Sil11FL,12460lm840,DA,wh



Key data

- Product type: floorstanding luminaire
- Product name: Silica® 11 Floor
- Order No.: 5MX51BS3WZK00002XX

Lighting technology | Lamps | Control gear

Component 1

Lighting technology:

- Cover: cover panel
- Beam angle: 40°
- Symmetry: symmetric
- Light emission: indirect/direct distribution
- UGR viewing direction along longitudinal luminaire axis: ≤ 19
- UGR viewing direction along lateral luminaire axis: ≤ 19

Lamps:

- Lamps: with LED
- Rated luminous flux: 12460lm
- Luminous efficacy: 157lm/W
- Colour temperature: 4000K
- Colour rendering index: CRI > 80
- Light colour: 840
- SDCM (Standard Deviation of Colour Matching): MacAdam ≤ 3 SDCM (initial)
- Rated input power: 79W
- Supplement: with ambient light and presence detector

Operating device:

- Control: DALI
- Switching method: daylight-dependent control

Certificates, Standards

- Protection rating: IP20
- Insulation class: insulation class I (protective earthing)
- Temperature range (operation): 0..+35°C
- Standard: EN 50419
- Certification, designation: CE

Material, Colour

- luminaire head: aluminium, coated, traffic white (RAL 9016), rectangular, rounded
- Quantity: 1 piece
- Colour specification: traffic white (RAL 9016)
- supporting column: aluminium, coated, traffic white (RAL 9016), angular
- Quantity: 1 piece
- Colour specification: traffic white (RAL 9016)
- baseplate: steel, coated, traffic white (RAL 9016)
- Colour specification: traffic white (RAL 9016)
- Cover: cover panel of PMMA

Mounting

- Mounting method, mounting location: not mounted

Electrical connection

- Nominal voltage: 230V, 50Hz, AC
- Connection cable: pre-assembled, L= 3m

Dimensions, Weight

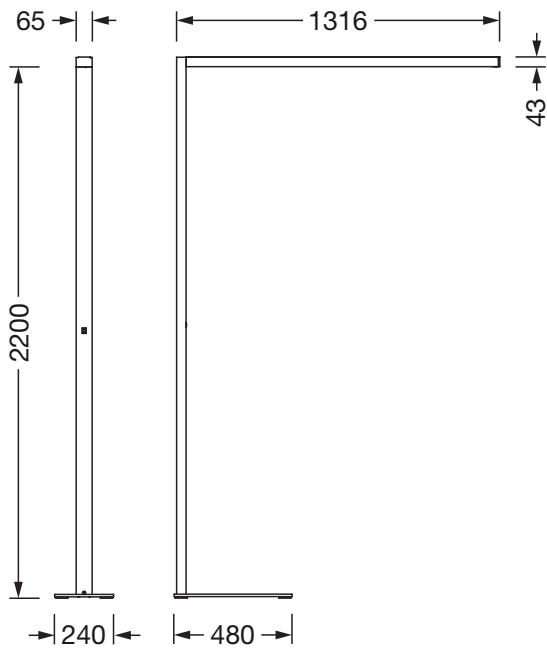
- Weight: 18.6kg

Service life

- Rated service life: 50000h (L85/B50) at AT = 25°C

Order No.: 5MX51BS3WZK00002XX | GTIN (EAN): 4058352370117

Dimensions: Sil11FL,12460lm840,DA,wh



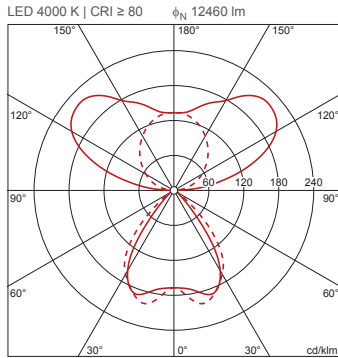
It is mandatory that the assembly instructions must be observed when planning and installing the electrical installation (to be found at www.siteco.de)
Tolerances related to thermal, electrical and photometric data according to IEC 62722
Issued 27.10.2023 - Modifications and errors subject to change - Ensure that you always use the latest version -

Order No.: 5MX51BS3WZK00002XX | GTIN (EAN): 4058352370117

Planning data: Sil1FL,12460lm840,DA,wh

5MX51BS3WZK00002XX: 1x LED; factory setting: direct and indirect light

4058352370117
5MX51BS3WZK00002XX

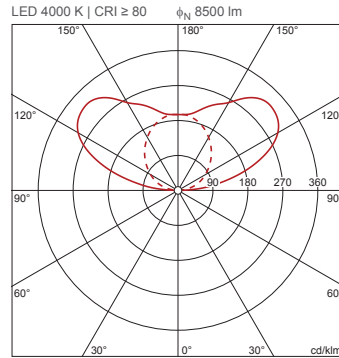


Luminance values (cd/m²)

	C 0/180	C 90/270
L ₈₀	1070	1275
L ₇₀	1722	2138
L ₆₅	1963	2813

5MX51BS3WZK00002XX: 1x LED; individual setting: only indirect light

4058352370117
5MX51BS3WZK00002XX

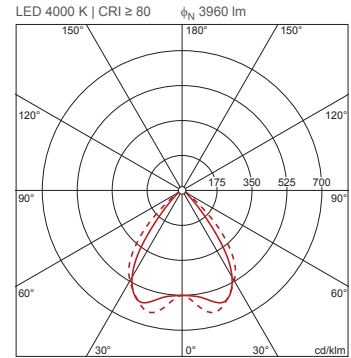


Luminance values (cd/m²)

	C 0/180	C 90/270
L ₈₀	0	0
L ₇₀	0	0
L ₆₅	0	0

5MX51BS3WZK00002XX: 1x LED; individual setting: only direct light

4058352370117
5MX51BS3WZK00002XX



Luminance values (cd/m²)

	C 0/180	C 90/270
L ₈₀	1070	1275
L ₇₀	1722	2138
L ₆₅	1963	2813

UGR 17.3 19
X 4H Y 8H ρ 70/50/20 S 0.25H