

**Order No.:** 5WD36C8E2CN3 | **GTIN (EAN):** 4058352315811

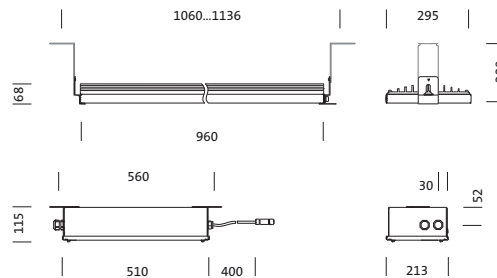
**Product description:** TL33Cmd,43770lm740,StepDIM,TSG



TL 33C midi, tunnel luminaire, primary light control with counter beam optics, primary optical cover: cover panel, of toughened safety glass, non-reflecting, transparent, light emission: direct distribution, primary light characteristic: asymmetric, installation type: surface-mounted, connection on control gear side, LED, High Power LED, rated luminous flux: 43.770lm, luminous efficacy: 153lm/W, light colour: 740, colour temperature: 4000K, control gear: ECG dimmable, with system connector, mains connection: 220..240V, AC, 50/60Hz, connection cable plug integrated into luminaire housing at face end, rated input power: 287W, connection on mains side, 6-pole, max. 10mm<sup>2</sup> (5G+1), with terminal, luminaire housing, of stainless steel 1.4404 (AISI316), etched and passivated, length: 960mm, width: 295mm, height: 68mm, heat sink, of Al Mg 2, e-box, of stainless steel 1.4404 (AISI316), etched and passivated, length: 510mm, width: 213mm, height: 115mm, protection rating (complete): IP66, insulation class (complete): insulation class I (protective earthing), certification: CE, impact resistance: IK09, permissible operating ambient temperature: -25..+55°C, packaging unit: 1 piece

IP 66 IK 09  

Lamps:	LED
Wt. (kg):	17.6
GTIN (EAN):	4058352315811



Order No.: 5WD36C8E2CN3 | GTIN (EAN): 4058352315811

Detailed technical description: TL33Cmd,43770Im740,StepDIM,TSG



### Key data

- Product type: tunnel luminaire
- Product name: TL 33C midi
- Order No.: 5WD36C8E2CN3

### Lighting technology | Lamps | Control gear

#### Component 1

#### Lighting technology:

- Light control: counter beam optics
- Cover: cover panel, transparent, non-reflecting
- Symmetry: asymmetric distribution
- Light emission: direct distribution

#### Lamps:

- Supplement: suitable for 3-phase through-wiring on mains side

#### Operating device:

- Control gear: ECG dimmable
- Control: 10StepDIM

#### Component 2

#### Certificates, Standards

- Protection rating: IP66
- Insulation class: insulation class I (protective earthing)
- Impact resistance: IK09
- Temperature range (operation): -25..+55°C
- Certification, designation: CE

#### Material, Colour

- luminaire housing: stainless steel 1.4404 (AISI316), etched and passivated
- e-box: stainless steel 1.4404 (AISI316), etched and passivated
- Cover: cover panel of toughened safety glass

#### Mounting

- Mounting method, mounting location: surface-mounted, to supporting structure, to the ceiling

### Electrical connection

- Connection: system connector
- Nominal voltage: 220..240V, 50/60Hz, AC
- Surge voltage resistance: 10kV 1.2/50µs
- Connection cable: plug integrated into luminaire housing at face end

### Dimensions, Weight

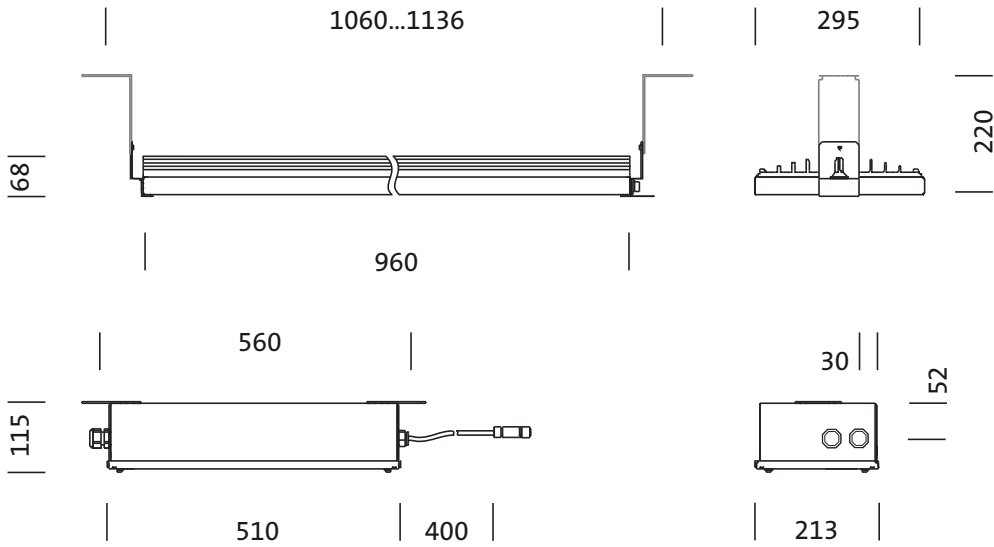
- Length: 960mm
- Width: 295mm
- Height: 68mm
- Weight: 17.6kg

### Service life

- Rated service life: 100000h (L95/B10) at AT = 25°C

Order No.: 5WD36C8E2CN3 | GTIN (EAN): 4058352315811

Dimensions: TL33Cmd,43770lm740,StepDIM,TSG



It is mandatory that the assembly instructions must be observed when planning and installing the electrical installation (to be found at [www.siteco.de](http://www.siteco.de))  
Tolerances related to thermal, electrical and photometric data according to IEC 62722  
Issued 24.02.2023 - Modifications and errors subject to change - Ensure that you always use the latest version -

Order No.: 5WD36C8E2CN3 | GTIN (EAN): 4058352315811

Planning data: TL33Cmd,43770lm740,StepDIM,TSG

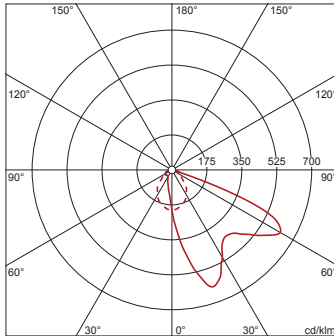
## 5WD36C8E2CN3: 1x LED

4058352315811

5WD36C8E2CN3

LED 4000 K | CRI  $\geq$  70

$\phi_N$  43770 lm



— C 0/180

- - - C 90/270

It is mandatory that the assembly instructions must be observed when planning and installing the electrical installation (to be found at [www.siteco.de](http://www.siteco.de))

Tolerances related to thermal, electrical and photometric data according to IEC 62722

Issued 24.02.2023 - Modifications and errors subject to change - Ensure that you always use the latest version -