

Order No.: 5MZ214D0TWA | **GTIN (EAN):** 4058352124062

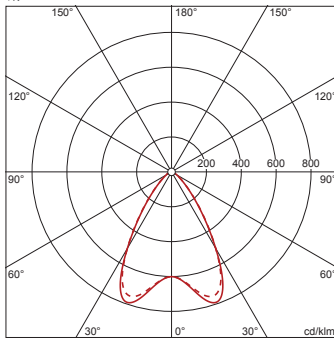
Product description: Scri11,LED7190lm8tw,DA,L3088,surf



Scriptus® 11, office luminaire, primary optical cover: lenses, CAT 2 ($L \leq 3000 \text{cd/m}^2$), light emission: direct distribution, primary light characteristic: symmetric, installation type: surface-mounted, LED, rated luminous flux: 7.190lm, luminous efficacy: 137lm/W, light colour: 8tw, colour temperature: 3000..6500K, control gear: ECG DALI, with terminal, 5-pole, mains connection: 230V, AC, 50Hz, rated input power: 53W, housing, luminaire housing, of aluminium, traffic white (RAL 9016), length: 3.088mm, width: 114mm, height: 57mm, protection rating (complete): IP20, insulation class (complete): insulation class I (protective earthing), certification: CE, protection symbol: F, permissible operating ambient temperature: 0..+35°C, standard: EN 50419, packaging unit: 1 piece

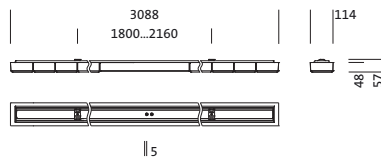
4058352124062
5MZ214D0TWA

LED 3000K + 6500K / CRI ≥ 80
 ϕ_N 7190 lm



IP 20

Lamps:	LED
Wt. (kg):	9.8
GTIN (EAN):	4058352124062



Order No.: 5MZ214D0TWA | GTIN (EAN): 4058352124062

Detailed technical description: Scri11,LED7190lm8tw,DA,L3088,surf



Key data

- Product type: office luminaire
- Product name: Scriptus® 11
- Order No.: 5MZ214D0TWA

Lighting technology | Lamps | Control gear

Component 1

Lighting technology:

- Cover: lenses
- Symmetry: symmetric
- Light emission: direct distribution
- UGR viewing direction along longitudinal luminaire axis: ≤ 19
- UGR viewing direction along lateral luminaire axis: ≤ 19

Lamps:

- Lamps: with LED
- Rated luminous flux: 7190lm
- Luminous efficacy: 137lm/W
- Colour temperature: 3000..6500K
- Colour rendering index: CRI > 80
- Light colour: 8tw
- Rated input power: 53W

Operating device:

- Control gear: ECG DALI
- Control: DALI

Certificates, Standards

- Protection rating: IP20
- Insulation class: insulation class I (protective earthing)
- Protection symbol: F
- Temperature range (operation): 0..+35°C
- Standard: EN 50419
- Certification, designation: CE

Material, Colour

- housing: aluminium, traffic white (RAL 9016)
- luminaire housing: aluminium, traffic white (RAL 9016)
- Colour specification: traffic white (RAL 9016)
- Cover: lenses

Mounting

- Mounting method, mounting location: surface-mounted, to the ceiling
- Arrangement: single arrangement

Electrical connection

- Connection: terminal, 5-pole
- Nominal voltage: 230V, 230..240V, 50Hz, AC

Dimensions, Weight

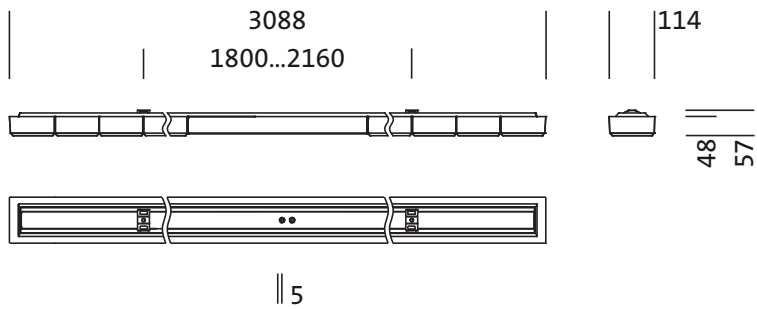
- Length: 3088mm
- Width: 114mm
- Height: 57mm
- Weight: 9.8kg

Service life

- Rated service life: 50000h (L85/B50) at AT = 25°C

Order No.: 5MZ214D0TWA | GTIN (EAN): 4058352124062

Dimensions: Scri11,LED7190lm8tw,DA,L3088,surf



It is mandatory that the assembly instructions must be observed when planning and installing the electrical installation (to be found at www.siteco.de)

Tolerances related to thermal, electrical and photometric data according to IEC 62722

Issued 08.09.2023 - Modifications and errors subject to change - Ensure that you always use the latest version -

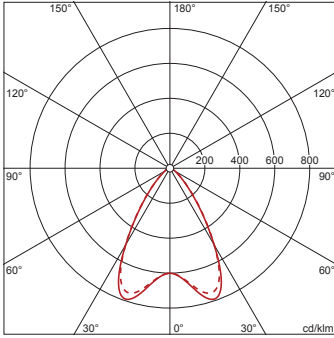
Order No.: 5MZ214D0TWA | GTIN (EAN): 4058352124062

Planning data: Scri11,LED7190lm8tw,DA,L3088,surf

5MZ214D0TWA: 1x LED
3000K+6500K / CRI ≥ 80;
individual setting: colour
temperature 3000K

5MZ214D0TWA: 1x LED
3000K+6500K / CRI ≥ 80;
individual setting: colour
temperature 6500K

4058352124062
 5MZ214D0TWA
 LED 3000K + 6500K / CRI ≥ 80
 ϕ_N 7190 lm



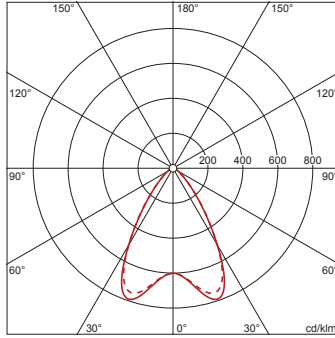
ϕ_{\downarrow} 100% ϕ_{\uparrow} 0%

Luminance values (cd/m²)

	C 0/180	C 90/270
L ₈₀	1464	1494
L ₇₀	1853	1882
L ₆₅	2019	2125

UGR 16.2 16.4
 X 4H Y 8H ρ 70/50/20 S 0.25H

4058352124062
 5MZ214D0TWA
 LED 3000K + 6500K / CRI ≥ 80
 ϕ_N 7190 lm



ϕ_{\downarrow} 100% ϕ_{\uparrow} 0%

Luminance values (cd/m²)

	C 0/180	C 90/270
L ₈₀	1464	1494
L ₇₀	1853	1882
L ₆₅	2019	2125

UGR 16.2 16.4
 X 4H Y 8H ρ 70/50/20 S 0.25H