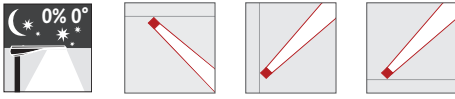


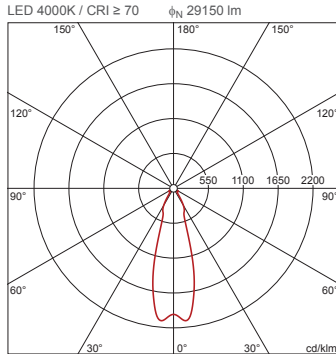
Order No.: 5XA7682E2B1AC | GTIN (EAN): 4058352223291

Product description: FL20md,RS17,29150lm740,PlusDA,bracket

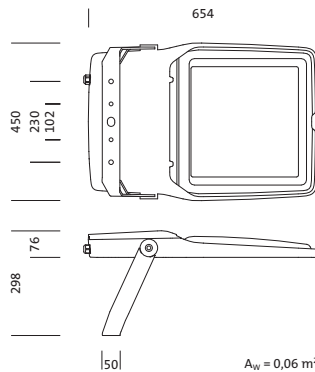


Floodlight FL 20 midi, floodlight, primary light control with lens, of plastic, primary optical cover: protective disc, of toughened safety glass, transparent, light distribution: RS17, light emission: direct distribution, primary light characteristic: rotationally symmetric, installation type: surface-mounted, LED, High Power LED, rated luminous flux: 29.150lm, luminous efficacy: 140lm/W, light colour: 740, colour temperature: 4000K, control gear: ECG Plus, control: flexible luminous flux parameterisation, time-dependent luminous flux control, digital communication interface, power reduction, overheat protection, electronic power reduction, with terminal, 5-pole, max. 2.5mm<sup>2</sup>, mains connection: 220..240V, AC, 50/60Hz, rated input power: 208W, LED unit, of diecast aluminium, powder-coated, Siteco® metallic grey (DB 702S), corrosivity category C5 mid according to DIN EN ISO 12944, incl. 1x M20 cable gland for cable Ø 6.5..12mm, length: 654mm, width: 450mm, height: 76mm, housing frame, of diecast aluminium, powder-coated, Siteco® metallic grey (DB 702S), mounting bracket, of steel, powder-coated, Siteco® metallic grey (DB 702S), DALI, protection rating (complete): IP66, insulation class (complete): insulation class II (safety insulation), certification: CE, ENEC, VDE, protection symbol: D, permissible operating ambient temperature: -40..+40°C, permissible operating ambient temperature for outdoor applications: -40..+50°C, standard: DIN EN 12944, packaging unit: 1 piece

4058352223291  
5XA7682E2B1AC



Lamps: LED  
Wt. (kg): 14.5  
GTIN (EAN): 4058352223291



Order No.: 5XA7682E2B1AC | GTIN (EAN): 4058352223291

Detailed technical description: FL20md,RS17,29150lm740,PlusDA,bracket



### Key data

- Product type: floodlight
- Product name: Floodlight FL 20 midi
- Order No.: 5XA7682E2B1AC

### Lighting technology | Lamps | Control gear

#### Component 1

#### Lighting technology:

- Light control: lens of plastic
- Cover: protective disc, transparent
- Light distribution: RS17
- Symmetry: rotationally symmetric
- Light emission: direct distribution

#### Lamps:

- Lamps: with High Power LED, LED
- Rated luminous flux: 29150lm
- Luminous efficacy: 140lm/W
- Colour temperature: 4000K
- Colour rendering index: CRI > 70
- Light colour: 740
- Rated input power: 208W

#### Operating device:

- Control gear: ECG Plus
- Control: Plus/DALI
- Equipment: overheat protection, power reduction, digital communication interface, time-dependent luminous flux control, flexible luminous flux parameterisation
- Switching method: electronic power reduction

#### Certificates, Standards

- Protection rating: IP66
- Insulation class: insulation class II (safety insulation)
- Protection symbol: D
- Temperature range (operation): -40..+40°C
- Standard: DIN EN 12944
- Corrosion protection: corrosivity category C5 mid according to DIN EN ISO 12944
- Certification, designation: CE, ENEC, VDE

### Material, Colour

- LED unit: diecast aluminium, powder-coated, Siteco® metallic grey (DB 702S), incl. 1x M20 cable gland for cable Ø 6.5..12mm
- Colour specification: Siteco® metallic grey (DB 702S)
- housing frame: diecast aluminium, powder-coated, Siteco® metallic grey (DB 702S)
- Colour specification: Siteco® metallic grey (DB 702S)
- mounting bracket: steel, powder-coated, Siteco® metallic grey (DB 702S)
- Colour specification: Siteco® metallic grey (DB 702S)
- Cover: protective disc of toughened safety glass

### Mounting

- Mounting method, mounting location: surface-mounted, to supporting structure, to the cross arm, to the wall
- Arrangement: single arrangement
- Supplement: with mounting bracket

### Electrical connection

- Connection: terminal, 5-pole, max. 2.5mm<sup>2</sup>
- Nominal voltage: 220..240V, 50/60Hz, AC
- Surge voltage resistance: 10kV 1.2/50µs

### Dimensions, Weight

- Length: 654mm
- Width: 450mm
- Height: 76mm
- Weight: 14.5kg

### Light emission

- Light emission: 0% at 0° inclination

### Service life

- Rated service life: 100000h (L97/B10) at AT = 25°C, 50000h (L98/B10) at AT = 25°C

Order No.: 5XA7682E2B1AC | GTIN (EAN): 4058352223291

Dimensions: FL20md,RS17,29150lm740,PlusDA,bracket

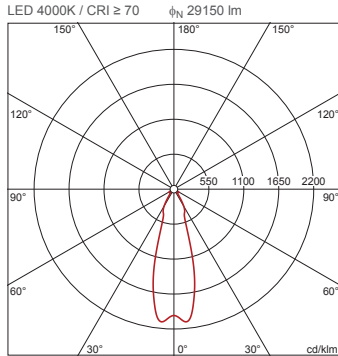


**Order No.:** 5XA7682E2B1AC | **GTIN (EAN):** 4058352223291

**Planning data:** FL20md,RS17,29150lm740,PlusDA,bracket

**5XA7682E2B1AC: 1x LED**  
**4000K / CRI ≥ 70**

4058352223291  
 5XA7682E2B1AC



— C 0/180      - - - C 90/270

Luminous intensity class according to  
 EN13201-2: G6

H(m)	$\varnothing$ (m)	E <sub>max</sub> (lx)	E <sub>m</sub> (lx)
4	2.25	3765	3120
6	3.37	1673	1387
8	4.50	941	780
10	5.62	602	499
12	6.75	418	347

It is mandatory that the assembly instructions must be observed when planning and installing the electrical installation (to be found at [www.siteco.de](http://www.siteco.de))  
 Tolerances related to thermal, electrical and photometric data according to IEC 62722  
 Issued 13.04.2024 - Modifications and errors subject to change - Ensure that you always use the latest version -