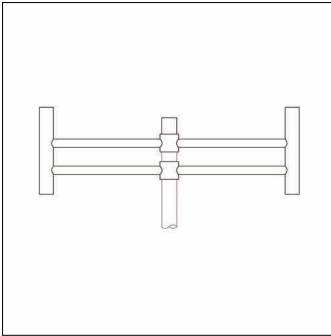


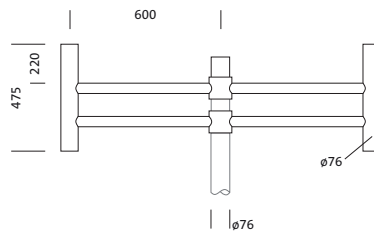
Order No.: 5NY52650XN28 | GTIN (EAN): 4039806215895

Product description: rail,mastarmØ76,2arm,L600Ø76,galv



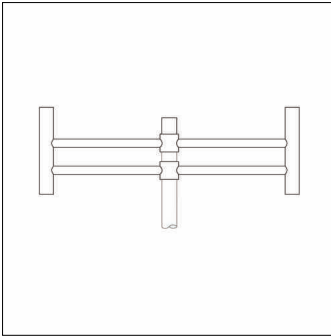
rail, mast arm, design arm, of steel, galvanised and coated, Siteco® metallic grey (DB 702S), 2-arm, with integrated mast termination, spigot size: 76mm (post-top), bracket dimensions: 600mm, packaging unit: 1 piece

Wt. (kg): 15.9
GTIN (EAN): 4039806215895



Order No.: 5NY52650XN28 | GTIN (EAN): 4039806215895

Detailed technical description: rail,mastarmØ76,2arm,L600Ø76,galv



Key data

- Product type: mast arm
- Product name: rail
- Order No.: 5NY52650XN28

Material, Colour

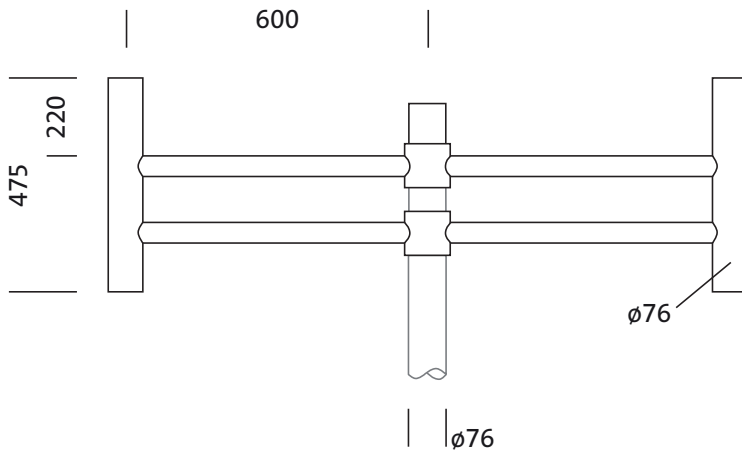
- design arm: steel, galvanised and coated, Siteco® metallic grey (DB 702S), with integrated mast termination
- Colour specification: Siteco® metallic grey (DB 702S)

Dimensions, Weight

- Weight: 15.9kg
- Mast spigot: spigot size: 76mm

Order No.: 5NY52650XN28 | GTIN (EAN): 4039806215895

Dimensions: rail,mastarm \varnothing 76,2arm,L600 \varnothing 76,galv



It is mandatory that the assembly instructions must be observed when planning and installing the electrical installation (to be found at www.siteco.de)

Tolerances related to thermal, electrical and photometric data according to IEC 62722

Issued 09.04.2025 - Modifications and errors subject to change - Ensure that you always use the latest version -