

Order No.: 5XA769SCS5 | GTIN (EAN): 4058352715987

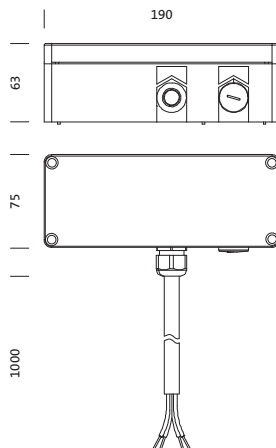
Product description: SConSpcontroller,BTLR



SITECO Connect Sportcontrol unit, configuration via Casambi app, installation location: to mounting bracket, of plastic, protection rating (complete): IP66, insulation class (complete): insulation class II (safety insulation), certification: CE, voltage: 230V, voltage type: AC, cable length: 1 m, Bluetooth® Long Range, ECG DALI, Bluetooth®, packaging unit: 1 piece

IP 66  

Wt. (kg): 0.7  
GTIN (EAN): 4058352715987



Order No.: 5XA769SCS5 | GTIN (EAN): 4058352715987

Detailed technical description: SConSpcontroller,BTLR



#### Key data

- Product type: luminaire controller
- Product name: SITECO Connect Sport
- Order No.: 5XA769SCS5

#### Lighting technology | Lamps | Control gear

#### Component 1

#### Lamps:

- Rated input power: 3W

#### Certificates, Standards

- Protection rating: IP66
- Insulation class: insulation class II (safety insulation)
- Certification, designation: CE

#### Material, Colour

- housing: plastic, black
- Colour specification: black

#### Electrical connection

- Connection: cable, 5x 0.75mm<sup>2</sup>
- Nominal voltage: 230V, 50/60Hz, AC

#### Dimensions, Weight

- Weight: 0.7kg

#### Inputs

#### Bluetooth® Long Range

- Range: max. 100m in open field
- Option: controllable via smartphone

#### Outputs

#### ECG DALI

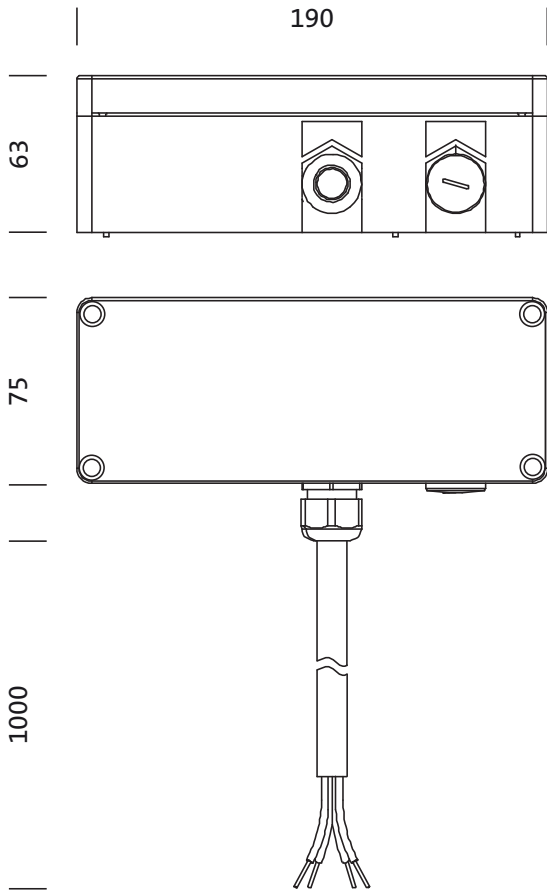
- Feature: for maximal four DALI ECGs

#### Bluetooth®

- Range: max. 100m in open field

Order No.: 5XA769SCS5 | GTIN (EAN): 4058352715987

Dimensions: SConSpcontroller,BTLR



It is mandatory that the assembly instructions must be observed when planning and installing the electrical installation (to be found at [www.siteco.de](http://www.siteco.de))  
Tolerances related to thermal, electrical and photometric data according to IEC 62722  
Issued 29.09.2023 - Modifications and errors subject to change - Ensure that you always use the latest version -