

Order No.: 5XA86174N0J | **GTIN (EAN):** 4069025029034

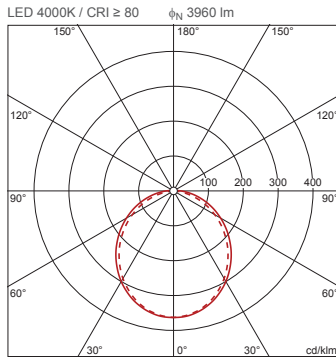
Product description: TV20VPL,LED,3960lm840,ECG,PC,dir,surf



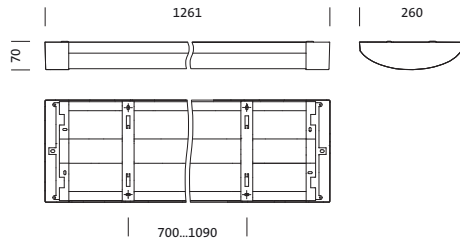
TV 20, vandal-proof luminaire, primary light control with specular reflector, of aluminium, matt, primary optical cover: enclosure, of PC, frosted, light emission: direct distribution, primary light characteristic: symmetric, installation type: surface-mounted, LED, rated luminous flux: 3.960lm, luminous efficacy: 107lm/W, light colour: 840, colour temperature: 4000K, control gear: ECG, mains connection: 230V, AC, 50Hz, rated input power: 37W, luminaire housing, of aluminium, coated, Siteco® metallic grey (DB 702S), with wall and ceiling fixing element, length: 1.261mm, width: 260mm, height: 70mm, protection rating (complete): IP65, insulation class (complete): insulation class I (protective earthing), certification: CE, protection symbol: F, impact resistance: 2x IK10, standard: EN 60598, packaging unit: 1 piece

4050737978291
5XA86174N0J

IP 65 2xIK 10  



Lamps: LED
Wt. (kg): 7.9
GTIN (EAN): 4069025029034



It is mandatory that the assembly instructions must be observed when planning and installing the electrical installation (to be found at www.siteco.de)
Tolerances related to thermal, electrical and photometric data according to IEC 62722
Issued 15.03.2024 - Modifications and errors subject to change - Ensure that you always use the latest version -

Order No.: 5XA86174N0J | GTIN (EAN): 4069025029034

Detailed technical description: TV20VPL,LED,3960lm840,ECG,PC,dir,surf



Key data

- Product type: vandal-proof luminaire
- Product name: TV 20
- Order No.: 5XA86174N0J

Lighting technology | Lamps | Control gear

Component 1

Lighting technology:

- Light control: specular reflector of aluminium, matt
- Cover: enclosure, frosted
- Symmetry: symmetric
- Light emission: direct distribution

Lamps:

- Lamps: with LED
- Rated luminous flux: 3960lm
- Luminous efficacy: 107lm/W
- Colour temperature: 4000K
- Colour rendering index: CRI > 80
- Light colour: 840
- SDCM (Standard Deviation of Colour Matching): MacAdam ≤ 3 SDCM (initial)
- Rated input power: 37W

Operating device:

- Control gear: ECG
- Control: ON/OFF

Certificates, Standards

- Protection rating: IP65
- Insulation class: insulation class I (protective earthing)
- Impact resistance: 2x IK10
- Protection symbol: F
- Standard: EN 60598
- Certification, designation: CE

Material, Colour

- luminaire housing: aluminium, coated, Siteco® metallic grey (DB 702S), with wall and ceiling fixing element
- Colour specification: Siteco® metallic grey (DB 702S)
- Cover: enclosure of PC

Mounting

- Mounting method, mounting location: surface-mounted, to the ceiling, to the wall
- Arrangement: single/continuous arrangement

Electrical connection

- Nominal voltage: 230V, 50Hz, AC

Dimensions, Weight

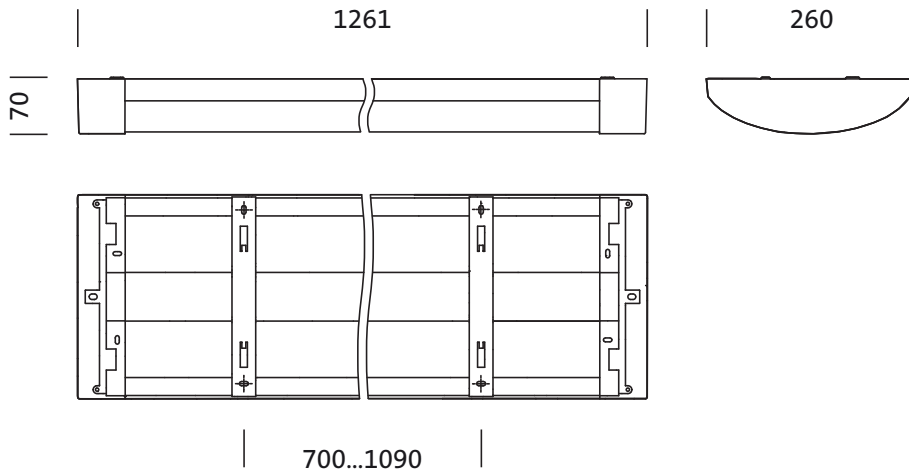
- Length: 1261mm
- Width: 260mm
- Height: 70mm
- Weight: 7.9kg

Service life

- Rated service life: 50000h (L80/B10) at AT = 25°C

Order No.: 5XA86174N0J | GTIN (EAN): 4069025029034

Dimensions: TV20VPL,LED,3960lm840,ECG,PC,dir,surf



It is mandatory that the assembly instructions must be observed when planning and installing the electrical installation (to be found at www.siteco.de)

Tolerances related to thermal, electrical and photometric data according to IEC 62722

Issued 15.03.2024 - Modifications and errors subject to change - Ensure that you always use the latest version -

Order No.: 5XA86174N0J | **GTIN (EAN):** 4069025029034

Planning data: TV20VPL,LED,3960lm840,ECG,PC,dir,surf

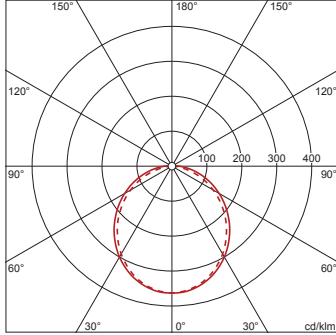
5XA86174N0J: 1x LED 4000K
/ CRI ≥ 80

4050737978291

5XA86174N0J

LED 4000K / CRI ≥ 80

Φ_N 3960 lm



— C 0/180 - - - C 90/270

No. of luminaires in room

Reflection factors 70/50/20

Em(x)	100		200		500	
	Lh(m)	2.5	3.0	2.5	3.0	2.5
20 m ²	0.8	0.9	1.5	1.8	3.9	4.5
30 m ²	1.2	1.3	2.3	2.6	5.8	6.5
40 m ²	1.5	1.6	2.9	3.3	7.4	8.2
50 m ²	1.8	2.0	3.5	3.9	8.9	9.8
75 m ²	2.6	2.8	5.1	5.6	13	14
100 m ²	3.3	3.6	6.6	7.1	17	18
500 m ²	15	16	30	31	75	78

Maintenance factor 0.8

Rh = Lh

It is mandatory that the assembly instructions must be observed when planning and installing the electrical installation (to be found at www.siteco.de)

Tolerances related to thermal, electrical and photometric data according to IEC 62722

Issued 15.03.2024 - Modifications and errors subject to change - Ensure that you always use the latest version -