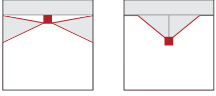


**Order No.:** 51TP12CN4DXLD | **GTIN (EAN):** 4058352418475

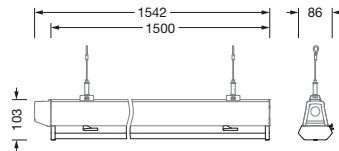
**Product description:** Lic11Pr,wd,13270lm840,MLCi,IP64,L1500,wh



Licross® 11 Protected HO, luminaire insert, of sheet steel, galvanised, coil coated, white, length: 1.500mm, width: 90mm, height: 101mm, LED rated luminous flux: 13.270lm, light colour: 840, control gear: ON/OFF Multilumen, CLOi, control gear: ECG Multilumen, with plug, 6-pole, with phase selection, mains connection: 220..240V, AC/DC, 0/50..60Hz, start of lifetime: 79W, end of service life: 88W, without changeover relay, for emergency light function, for central battery installations according to DIN EN 60598-2-22, halogen-free wiring, primary optical cover: cover, of PMMA, light emission: direct distribution, primary light characteristic: symmetric, protection rating (complete): IP64, insulation class (complete): insulation class I (protective earthing), certification: CE, ENEC, VDE, UKCA, protection symbol: D if used in an environment without relevant dust loads with corresponding accessories, impact resistance: IK06, permissible ambient temperature for indoor applications: -35..+40°C, standard: EN 60598-2-22, reducing of maximum allowable ambient temperature of 5°C with ceiling mounting, corresponds to IFS (International Featured Standards) requirements for safety and quality in the food industry, LABS conformity tested according to VDMA 24364:2018-05, packaging unit: 1 piece



Lamps:	LED
Wt. (kg):	3.1
GTIN (EAN):	4058352418475



**Order No.:** 51TP12CN4DXLD | **GTIN (EAN):** 4058352418475

**Detailed technical description:** Lic11Pr,wd,13270lm840,MLCi,IP64,L1500,wh



#### Key data

- Product type: luminaire insert
- Product name: Licross® 11 Protected HO
- Order No.: 51TP12CN4DXLD

#### Lighting technology | Lamps | Control gear

#### Component 1

#### Lighting technology:

- Cover: cover
- Beam angle: wide distribution
- Symmetry: symmetric
- Light emission: direct distribution
- UGR viewing direction along longitudinal luminaire axis:  $\leq 22$
- UGR viewing direction along lateral luminaire axis:  $\leq 28$

#### Lamps:

- Lamps: with LED
- Rated luminous flux: 13270lm
- Luminous efficacy: 169lm/W
- Colour temperature: 4000K
- Colour rendering index: CRI > 80
- Light colour: 840
- SDCM (Standard Deviation of Colour Matching): MacAdam  $\leq 3$  SDCM (initial)
- Rated input power begin service life: 79
- Rated input power end service life: 88
- Supplement: without changeover relay, for emergency light function, for central battery installations according to DIN EN 60598-2-22, halogen-free wiring

#### Operating device:

- Control gear: ECG Multilumen
- Control: ON/OFF Multilumen, CLOi

#### Certificates, Standards

- Protection rating: IP64
- Insulation class: insulation class I (protective earthing)
- Impact resistance: IK06
- Protection symbol: D if used in an environment without relevant dust loads with corresponding accessories
- Temperature range (operation): -35..+40°C
- Supplement: corresponds to IFS (International Featured Standards) requirements for safety and quality in the food industry, reducing of maximum allowable ambient temperature of 5°C with ceiling mounting, LABS conformity tested according to VDMA 24364:2018-05
- Standard: EN 60598-2-22
- Certification, designation: CE, ENEC, VDE, UKCA

#### Material, Colour

- Licross® LED insert: sheet steel, galvanised, coil coated, white
- Colour specification: white
- Cover: cover of PMMA

#### Mounting

- Mounting method, mounting location: slip-in mounting, in the Licross® trunking rail
- Arrangement: single/continuous arrangement
- Supplement: only suitable for indoor use

#### Electrical connection

- Connection: plug, 6-pole, with phase selection
- Nominal voltage: 220..240V, 0/50..60Hz, AC/DC

#### Dimensions, Weight

- Length: 1500mm
- Width: 90mm
- Height: 101mm
- Weight: 3.1kg

#### Service life

- Rated service life: 70000h (L100/B50) at AT = 25°C

Order No.: 51TP12CN4DXLD | GTIN (EAN): 4058352418475

Dimensions: Lic11Pr,wd,13270lm840,MLCi,IP64,L1500,wh



**Order No.:** 51TP12CN4DXLD | **GTIN (EAN):** 4058352418475

**Planning data:** Lic11Pr,wd,13270lm840,MLCi,IP64,L1500,wh

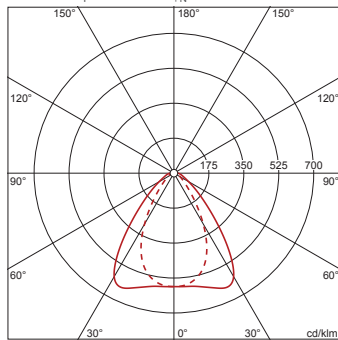
**51TP12CN4DXLD: 1x LED;  
emergency light operation  
rated luminous flux: DC  
mode (central or group  
accumulator) initial  
emergency light level**

4058352418475

51TP12CN4DXLD

LED 4000 K | CRI ≥ 80

$\phi_N$  3280 lm



$\phi_{\downarrow}$  98%  $\phi_{\uparrow}$  2%

Luminance values (cd/m<sup>2</sup>)

	C 0/180	C 90/270
L <sub>80</sub>	2858	1312
L <sub>70</sub>	2870	1651
L <sub>65</sub>	3159	1827

UGR 20.2 15.7

X 4H Y 8H  $\rho$  70/50/20 S 0.25H

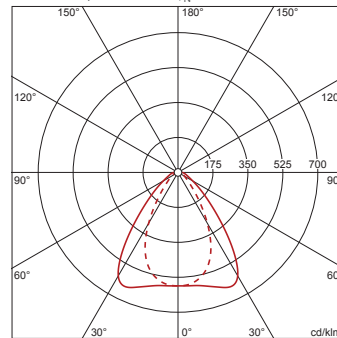
**51TP12CN4DXLD: 1x LED;  
factory setting AC mode: AC-  
mode**

4058352418475

51TP12CN4DXLD

LED 4000 K | CRI ≥ 80

$\phi_N$  13270 lm



$\phi_{\downarrow}$  98%  $\phi_{\uparrow}$  2%

Luminance values (cd/m<sup>2</sup>)

	C 0/180	C 90/270
L <sub>80</sub>	11562	5308
L <sub>70</sub>	11612	6680
L <sub>65</sub>	12781	7392

UGR 25.1 20.6

X 4H Y 8H  $\rho$  70/50/20 S 0.25H