

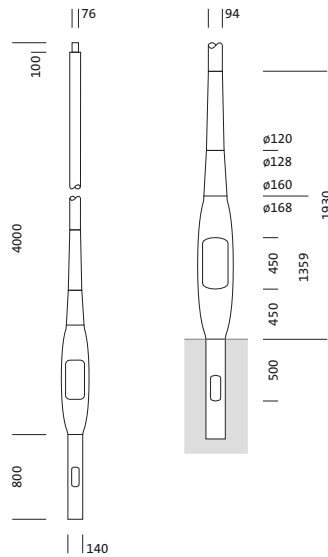
**Order No.:** 5NY513724008 | **GTIN (EAN):** 4058352174982

**Product description:** mast,NEV2,con.rd,alu,coat,DB702S,4m,Ø76



mast, mast, conical round, of aluminium, coated, Siteco® metallic grey (DB 702S), height: 4.0m, spigot size: 76mm (post-top), planted section: h= 800mm / Ø= 140mm, standard: DIN EN 40, packaging unit: 1 piece

Wt. (kg): 21.3  
 GTIN (EAN): 4058352174982



It is mandatory that the assembly instructions must be observed when planning and installing the electrical installation (to be found at [www.siteco.de](http://www.siteco.de))  
 Tolerances related to thermal, electrical and photometric data according to IEC 62722  
 Issued 22.12.2023 - Modifications and errors subject to change - Ensure that you always use the latest version -

Order No.: 5NY513724008 | GTIN (EAN): 4058352174982

Detailed technical description: mast,NEV2,con.rd,alu,coat,DB702S,4m,Ø76



#### Key data

- Product type: mast
- Product name: mast
- Order No.: 5NY513724008

#### Certificates, Standards

- Standard: DIN EN 40

#### Material, Colour

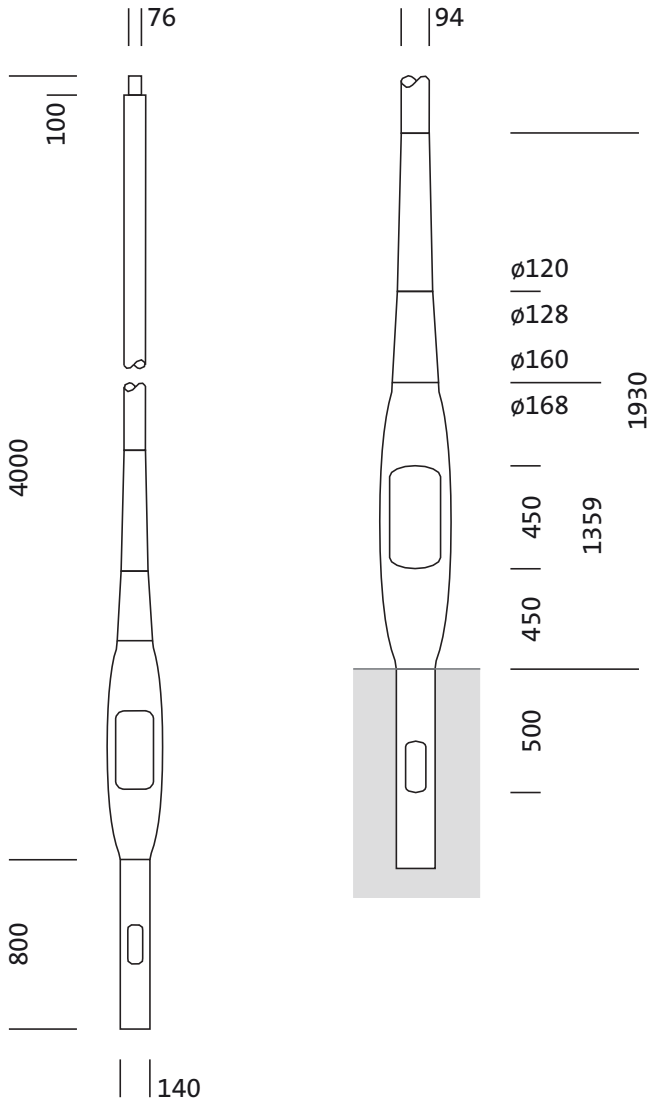
- mast: aluminium, coated, Siteco® metallic grey (DB 702S), conical round, with offset spigot
- Colour specification: Siteco® metallic grey (DB 702S)

#### Dimensions, Weight

- Height: 4.0m
- Weight: 21.3kg
- Mast spigot: spigot size: 76mm
- Planted section: h= 800mm / Ø= 140mm

Order No.: 5NY513724008 | GTIN (EAN): 4058352174982

Dimensions: mast,NEV2,con.rd,alu,coat,DB702S,4m,Ø76



It is mandatory that the assembly instructions must be observed when planning and installing the electrical installation (to be found at [www.siteco.de](http://www.siteco.de))  
 Tolerances related to thermal, electrical and photometric data according to IEC 62722  
 Issued 22.12.2023 - Modifications and errors subject to change - Ensure that you always use the latest version -