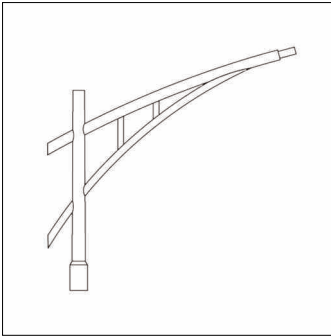


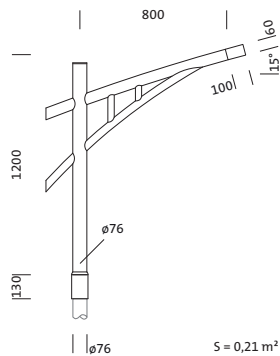
Order No.: 5NY0410M108E8 | **GTIN (EAN):** 4039806806246

Product description: Donau,mastarmØ76,1arm,L800Ø60,galv



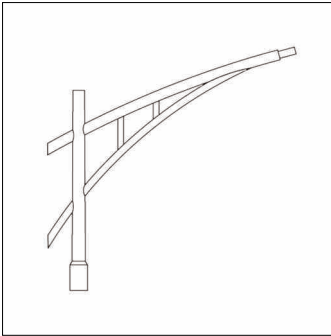
Donau, mast arm, design arm, of steel, galvanised and coated, Siteco® metallic grey (DB 702S), 1-arm, spigot size: 76mm (post-top), bracket dimensions: 800mm, packaging unit: 1 piece

Wt. (kg): 18.0
GTIN (EAN): 4039806806246



Order No.: 5NY0410M108E8 | **GTIN (EAN):** 4039806806246

Detailed technical description: Donau,mastarmØ76,1arm,L800Ø60,galv



Key data

- Product type: mast arm
- Product name: Donau
- Order No.: 5NY0410M108E8

Material, Colour

- design arm: steel, galvanised and coated, Siteco® metallic grey (DB 702S)
- Colour specification: Siteco® metallic grey (DB 702S)

Dimensions, Weight

- Weight: 18.0kg
- Mast spigot: spigot size: 76mm

Order No.: 5NY0410M108E8 | GTIN (EAN): 4039806806246

Dimensions: Donau, mastarm $\varnothing 76$, 1 arm, L800 $\varnothing 60$, galv

