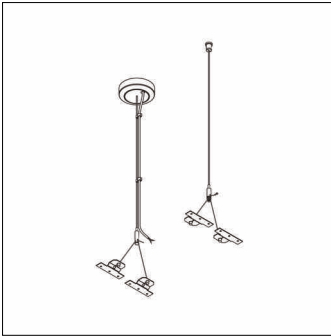


Order No.: 59MQ31000021 | **GTIN (EAN):** 4058352347867

Product description: Apoll2,Y-wiresusp,wh,0.3-1.5m

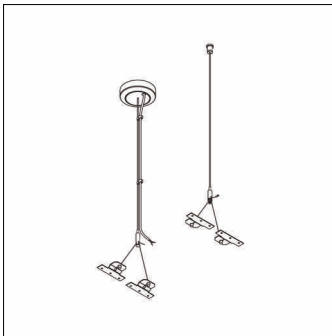


Apollon® 2, Y-wire suspension, ceiling sleeve, with with 2 terminals, 1-pole, max. 2.5mm², connection cable, 2X0.75mm², ceiling fixing element, of steel, galvanised, ceiling canopy, of plastic, wire, of steel, galvanised, fixing on luminaire side, of steel, galvanised, ceiling sleeve, of steel, nickel-plated, packaging unit: set of 2

Wt. (kg): 0.3
GTIN (EAN): 4058352347867

Order No.: 59MQ31000021 | GTIN (EAN): 4058352347867

Detailed technical description: Apol2,Y-wiresusp,wh,0.3-1.5m



Key data

- Product type: Y-wire suspension
- Product name: Apollon® 2
- Order No.: 59MQ31000021

Lighting technology | Lamps | Control gear

Component 1

Lamps:

- Supplement: with transparent insulation

Component 2

Material, Colour

- ceiling fixing element: steel, galvanised, white
- wire: steel, galvanised, wire, Ø 1.2mm
- fixing on luminaire side: steel, galvanised
- ceiling sleeve: steel, nickel-plated

Mounting

- Recommended suspension height: 0.3..1.5m

Electrical connection

- Connection: with 2 terminals, 1-pole, max. 2.5mm²

Dimensions, Weight

- Weight: 0.3kg