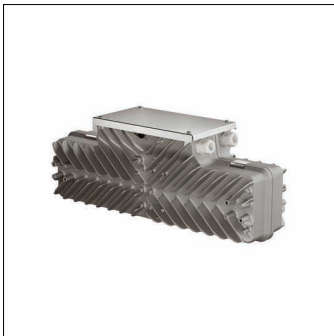


**Order No.:** 5XA7102W01000 | **GTIN (EAN):** 4058352349014

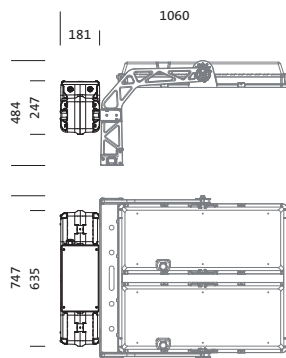
**Product description:** Sirius, ECG-unit, DA, p-red, IC1



Sirius®, ECG unit, 3/4-pole (3/4G) + 1-pole (LST) / 2-pole (DALI), max. 2.5mm<sup>2</sup>, control gear: ECG, with terminal, mains connection: 220..240V/380..415V, AC, 50/60Hz, with system connector or terminal, ECG unit, of diecast aluminium, powder-coated, Siteco® metallic grey (DB 702S), length: 635mm, width: 181mm, height: 247mm, protection rating (complete): IP66, insulation class (complete): insulation class I (protective earthing), certification: CE, ENEC, packaging unit: 1 piece



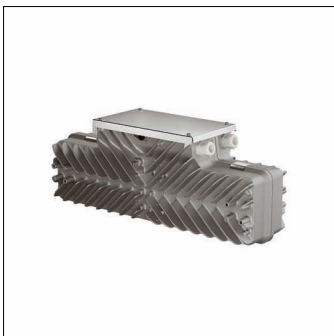
Wt. (kg): 10.0  
 GTIN (EAN): 4058352349014



It is mandatory that the assembly instructions must be observed when planning and installing the electrical installation (to be found at [www.siteco.de](http://www.siteco.de))  
 Tolerances related to thermal, electrical and photometric data according to IEC 62722  
 Issued 24.02.2023 - Modifications and errors subject to change - Ensure that you always use the latest version -

Order No.: 5XA7102W01000 | GTIN (EAN): 4058352349014

Detailed technical description: Sirius, ECG-unit, DA, p-red, IC1



#### Key data

- Product type: ECG unit
- Product name: Sirius®
- Order No.: 5XA7102W01000

#### Lighting technology | Lamps | Control gear

#### Component 1

#### Lamps:

- Supplement: operation only permissible with connected neutral conductor

#### Operating device:

- Control gear: ECG
- Control: DALI, power reduction

#### Certificates, Standards

- Protection rating: IP66
- Insulation class: insulation class I (protective earthing)
- Certification, designation: CE, ENEC

#### Material, Colour

- ECG unit: diecast aluminium, powder-coated, Siteco® metallic grey (DB 702S)
- Colour specification: Siteco® metallic grey (DB 702S)

#### Electrical connection

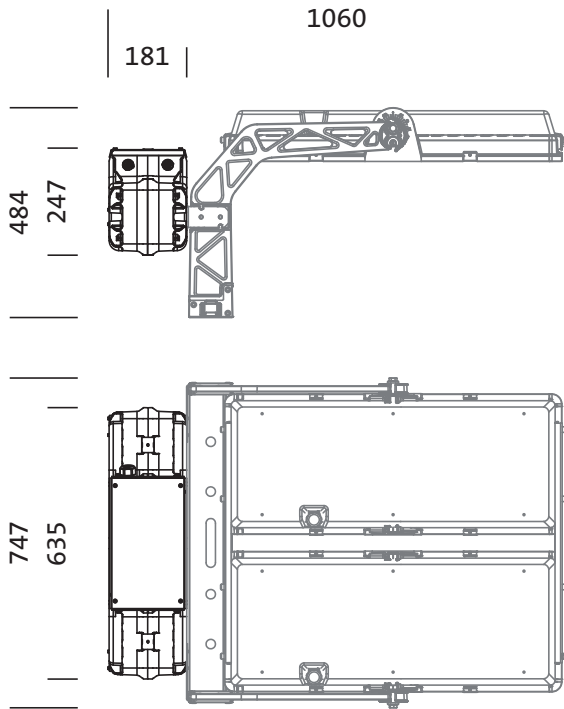
- Connection: terminal
- Nominal voltage: 220..240V/380..415V, 50/60Hz, AC

#### Dimensions, Weight

- Length: 635mm
- Width: 181mm
- Height: 247mm
- Weight: 10.0kg

Order No.: 5XA7102W01000 | GTIN (EAN): 4058352349014

Dimensions: Sirius, ECG-unit, DA, p-red, IC1



It is mandatory that the assembly instructions must be observed when planning and installing the electrical installation (to be found at [www.siteco.de](http://www.siteco.de))  
Tolerances related to thermal, electrical and photometric data according to IEC 62722  
Issued 24.02.2023 - Modifications and errors subject to change - Ensure that you always use the latest version -