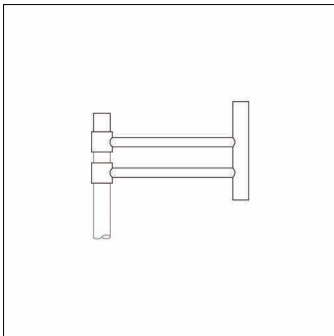


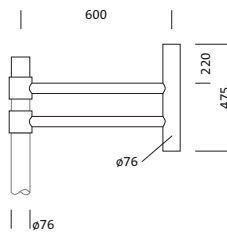
Order No.: 5NY52650XN18 | GTIN (EAN): 4039806215857

**Product description:** rail,mastarmØ76,1arm,L600Ø76,galv



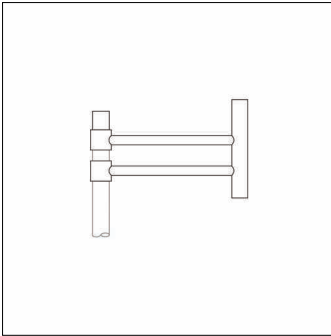
rail, mast arm, design arm, of steel, galvanised and coated, Siteco® metallic grey (DB 702S), 1-arm, with integrated mast termination, spigot size: 76mm (post-top), bracket dimensions: 600mm, packaging unit: 1 piece

Wt. (kg): 9.8  
GTIN (EAN): 4039806215857



Order No.: 5NY52650XN18 | GTIN (EAN): 4039806215857

Detailed technical description: rail,mastarmØ76,1arm,L600Ø76,galv



#### Key data

- Product type: mast arm
- Product name: rail
- Order No.: 5NY52650XN18

#### Material, Colour

- design arm: steel, galvanised and coated, Siteco® metallic grey (DB 702S), with integrated mast termination
- Colour specification: Siteco® metallic grey (DB 702S)

#### Dimensions, Weight

- Weight: 9.8kg
- Mast spigot: spigot size: 76mm

Order No.: 5NY52650XN18 | GTIN (EAN): 4039806215857

Dimensions: rail,mastarm $\varnothing$ 76,1arm,L600 $\varnothing$ 76,galv

