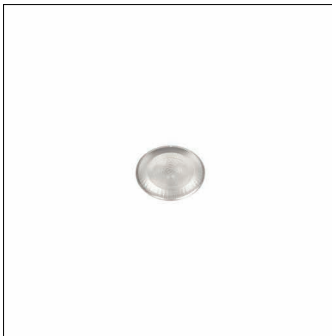


Order No.: 59DL1L0000G0000D0 | GTIN (EAN): 4058352030165

Product description: Lun11lens,dir,surf

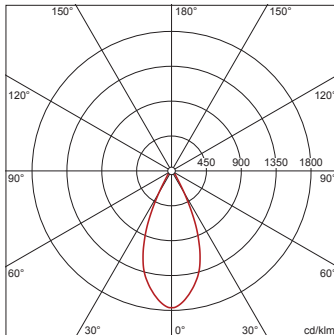


Lunis 11, lens, primary light control with lens, of plastic, inner prismatic structure, structured, matt, light emission: direct distribution, primary light characteristic: rotationally symmetric, installation type: surface-mounted, diameter: 60mm, packaging unit: 1 piece

Wt. (kg): 0.1
GTIN (EAN): 4058352030165

4058352107256 + 4058352030165
51DH11B71FF22 + 59DL1L0000G0000D0

LED 3000K / CRI \geq 80 ϕ_{N} 1070 lm



Order No.: 59DL1L0000G0000D0 | GTIN (EAN): 4058352030165

Detailed technical description: Lun11lens,dir,surf



Key data

- Product type: lens
- Product name: Lunis 11
- Order No.: 59DL1L0000G0000D0

Lighting technology | Lamps | Control gear

Component 1

Lighting technology:

- Light control: lens of plastic
- Beam angle: medium distribution
- Symmetry: rotationally symmetric
- Light emission: direct distribution

Mounting

- Mounting method, mounting location: surface-mounted, to the luminaire

Dimensions, Weight

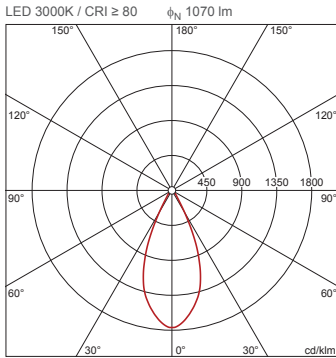
- Diameter: 60mm
- Weight: 0.1kg

Order No.: 59DL1L0000G0000D0 | GTIN (EAN): 4058352030165

Planning data: Lun11lens,dir,surf

**51DH11B71FF22 +
59DL1L0000G0000D0: 1x
LED 3000K / CRI ≥ 80**

4058352107256 + 4058352030165
51DH11B71FF22 + 59DL1L0000G0000D0



I_{max} 1764 cd/klm at γ 0°

Luminance values (cd/m²)

	C 0/180
L80	0
L70	0
L65	0

UGR 11.2 11.2
X 4H Y 8H ρ 70/50/20 S 0.25H

H(m)	ϕ (m)	$E_{max}(lx)$	$E_m(lx)$
2	1.66	472	356
3	2.49	210	158
4	3.31	118	89
5	4.14	76	57
6	4.97	52	40

No. of luminaires in room
Reflection factors 70/50/20

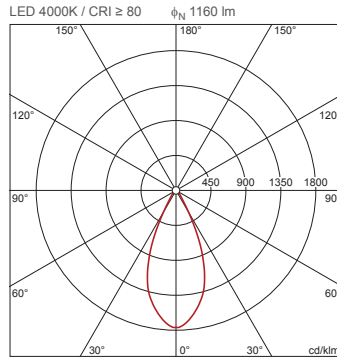
$E_m(lx)$	100	200	500
Lh(m)	2.5	3.0	2.5
20 m ²	2.1	2.3	4.2
30 m ²	3.5	3.2	7.0
40 m ²	4.3	4.4	8.6
50 m ²	5.5	5.4	11
75 m ²	8.5	7.8	17
100 m ²	11	11	21
500 m ²	51	52	102

Maintenance factor 0.8

Rh = Lh

**51DH11B71FG22 +
59DL1L0000G0000D0: 1x
LED 4000K / CRI ≥ 80**

4058352107737 + 4058352030165
51DH11B71FG22 + 59DL1L0000G0000D0



I_{max} 1764 cd/klm at γ 0°

Luminance values (cd/m²)

	C 0/180
L80	0
L70	0
L65	0

UGR 11.5 11.5
X 4H Y 8H ρ 70/50/20 S 0.25H

H(m)	ϕ (m)	$E_{max}(lx)$	$E_m(lx)$
2	1.66	512	386
3	2.49	227	172
4	3.31	128	97
5	4.14	82	62
6	4.97	57	43

No. of luminaires in room
Reflection factors 70/50/20

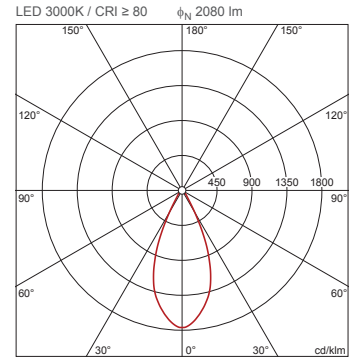
$E_m(lx)$	100	200	500
Lh(m)	2.5	3.0	2.5
20 m ²	1.9	2.1	3.9
30 m ²	3.2	3.0	6.4
40 m ²	4.0	4.1	7.9
50 m ²	5.0	5.0	10
75 m ²	7.8	7.2	16
100 m ²	9.8	9.8	20
500 m ²	47	48	94

Maintenance factor 0.8

Rh = Lh

**51DH11B72FF22 +
59DL1L0000G0000D0: 1x
LED 3000K / CRI ≥ 80**

4058352107263 + 4058352030165
51DH11B72FF22 + 59DL1L0000G0000D0



I_{max} 1764 cd/klm at γ 0°

Luminance values (cd/m²)

	C 0/180
L80	0
L70	0
L65	0

UGR 13.5 13.5
X 4H Y 8H ρ 70/50/20 S 0.25H

H(m)	ϕ (m)	$E_{max}(lx)$	$E_m(lx)$
2	1.66	918	692
3	2.49	408	308
4	3.31	229	173
5	4.14	147	111
6	4.97	102	77

No. of luminaires in room
Reflection factors 70/50/20

$E_m(lx)$	100	200	500
Lh(m)	2.5	3.0	2.5
20 m ²	1.1	1.2	2.2
30 m ²	1.8	1.7	3.6
40 m ²	2.2	2.3	4.4
50 m ²	2.8	2.8	5.6
75 m ²	4.4	4.0	8.7
100 m ²	5.4	5.5	11
500 m ²	26	27	53

Maintenance factor 0.8

Rh = Lh

It is mandatory that the assembly instructions must be observed when planning and installing the electrical installation (to be found at www.siteco.de)

Tolerances related to thermal, electrical and photometric data according to IEC 62722

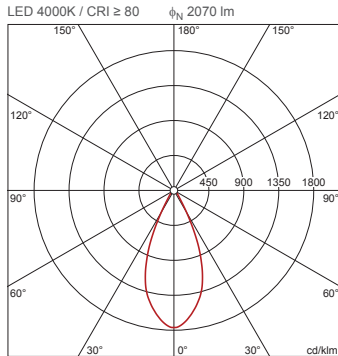
Issued 10.11.2023 - Modifications and errors subject to change - Ensure that you always use the latest version -

Order No.: 59DL1L0000G0000D0 | GTIN (EAN): 4058352030165

Planning data: Lun11lens,dir,surf

**51DH11B72FG22 +
59DL1L0000G0000D0: 1x
LED 4000K / CRI ≥ 80**

4058352107744 + 4058352030165
51DH11B72FG22 + 59DL1L0000G0000D0



I_{max} 1764 cd/klm at γ 0°

Luminance values (cd/m²)

	C 0/180
L80	0
L70	0
L65	0

UGR 13.5 13.5
X 4H Y 8H ρ 70/50/20 S 0.25H

H(m)	ϕ (m)	$E_{max}(lx)$	$E_m(lx)$
2	1.66	913	689
3	2.49	406	306
4	3.31	228	172
5	4.14	146	110
6	4.97	101	77

No. of luminaires in room

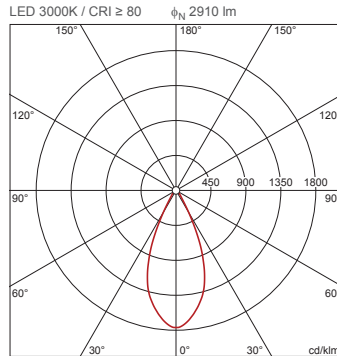
Reflection factors	70/50/20					
	100		200		500	
$E_m(lx)$	100	200	100	200	100	200
Lh(m)	2.5	3.0	2.5	3.0	2.5	3.0
20 m²	1.1	1.2	2.2	2.4	5.4	6.0
30 m²	1.8	1.7	3.6	3.4	9.0	8.4
40 m²	2.2	2.3	4.5	4.6	11	11
50 m²	2.8	2.8	5.7	5.6	14	14
75 m²	4.4	4.1	8.7	8.1	22	20
100 m²	5.5	5.5	11	11	27	28
500 m²	26	27	53	53	132	133

Maintenance factor 0.8

Rh = Lh

**51DH11B73FF22 +
59DL1L0000G0000D0: 1x
LED 3000K / CRI ≥ 80**

4058352107270 + 4058352030165
51DH11B73FF22 + 59DL1L0000G0000D0



I_{max} 1764 cd/klm at γ 0°

Luminance values (cd/m²)

	C 0/180
L80	0
L70	0
L65	0

UGR 14.7 14.7
X 4H Y 8H ρ 70/50/20 S 0.25H

H(m)	ϕ (m)	$E_{max}(lx)$	$E_m(lx)$
2	1.66	1284	969
3	2.49	571	431
4	3.31	321	242
5	4.14	205	155
6	4.97	143	108

No. of luminaires in room

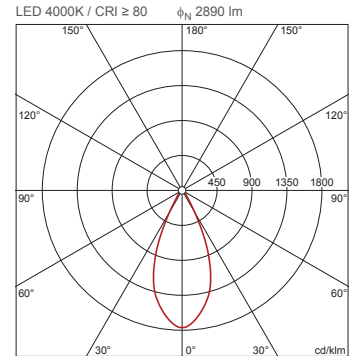
Reflection factors	70/50/20					
	100		200		500	
$E_m(lx)$	100	200	100	200	100	200
Lh(m)	2.5	3.0	2.5	3.0	2.5	3.0
20 m²	0.8	0.8	1.5	1.7	3.9	4.2
30 m²	1.3	1.2	2.6	2.4	6.4	6.0
40 m²	1.6	1.6	3.2	3.3	7.9	8.1
50 m²	2.0	2.0	4.0	4.0	10	9.9
75 m²	3.1	2.9	6.2	5.8	16	14
100 m²	3.9	3.9	7.8	7.8	19	20
500 m²	19	19	38	38	94	95

Maintenance factor 0.8

Rh = Lh

**51DH11B73FG22 +
59DL1L0000G0000D0: 1x
LED 4000K / CRI ≥ 80**

4058352107751 + 4058352030165
51DH11B73FG22 + 59DL1L0000G0000D0



I_{max} 1764 cd/klm at γ 0°

Luminance values (cd/m²)

	C 0/180
L80	0
L70	0
L65	0

UGR 14.6 14.6
X 4H Y 8H ρ 70/50/20 S 0.25H

H(m)	ϕ (m)	$E_{max}(lx)$	$E_m(lx)$
2	1.66	1275	962
3	2.49	567	428
4	3.31	319	241
5	4.14	204	154
6	4.97	142	107

No. of luminaires in room

Reflection factors	70/50/20					
	100		200		500	
$E_m(lx)$	100	200	100	200	100	200
Lh(m)	2.5	3.0	2.5	3.0	2.5	3.0
20 m²	0.8	0.9	1.6	1.7	3.9	4.3
30 m²	1.3	1.2	2.6	2.4	6.5	6.0
40 m²	1.6	1.6	3.2	3.3	8.0	8.2
50 m²	2.0	2.0	4.0	4.0	10	10.0
75 m²	3.1	2.9	6.3	5.8	16	15
100 m²	3.9	3.9	7.8	7.9	20	20
500 m²	19	19	38	38	95	96

Maintenance factor 0.8

Rh = Lh

It is mandatory that the assembly instructions must be observed when planning and installing the electrical installation (to be found at www.siteco.de)

Tolerances related to thermal, electrical and photometric data according to IEC 62722

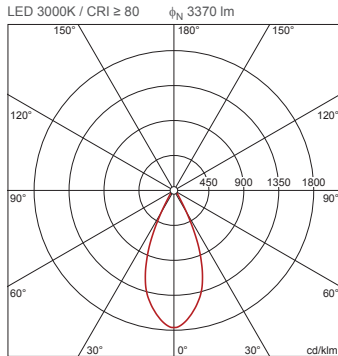
Issued 10.11.2023 - Modifications and errors subject to change - Ensure that you always use the latest version -

Order No.: 59DL1L0000G0000D0 | GTIN (EAN): 4058352030165

Planning data: Lun11lens,dir,surf

**51DH11B74FF22 +
59DL1L0000G0000D0: 1x
LED 3000K / CRI ≥ 80**

4058352107294 + 4058352030165
51DH11B74FF22 + 59DL1L0000G0000D0



I_{max} 1764 cd/klm at γ 0°

Luminance values (cd/m²)

	C 0/180
L80	0
L70	0
L65	0

UGR 15.2 15.2
X 4H Y 8H ρ 70/50/20 S 0.25H

H(m)	ϕ (m)	$E_{max}(lx)$	$E_m(lx)$
2	1.66	1487	1122
3	2.49	661	499
4	3.31	372	280
5	4.14	238	179
6	4.97	165	125

No. of luminaires in room

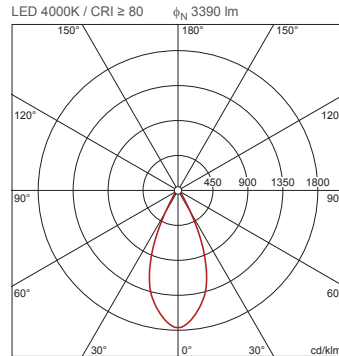
Reflection factors	70/50/20					
	100		200		500	
$E_m(lx)$	2.5	3.0	2.5	3.0	2.5	3.0
Lh(m)	2.5	3.0	2.5	3.0	2.5	3.0
20 m ²	0.7	0.7	1.3	1.5	3.3	3.7
30 m ²	1.1	1.0	2.2	2.1	5.5	5.2
40 m ²	1.4	1.4	2.7	2.8	6.8	7.0
50 m ²	1.7	1.7	3.5	3.4	8.7	8.6
75 m ²	2.7	2.5	5.4	5.0	13	12
100 m ²	3.4	3.4	6.7	6.8	17	17
500 m ²	16	16	32	33	81	82

Maintenance factor 0.8

Rh = Lh

**51DH11B74FG22 +
59DL1L0000G0000D0: 1x
LED 4000K / CRI ≥ 80**

4058352107287 + 4058352030165
51DH11B74FG22 + 59DL1L0000G0000D0



I_{max} 1764 cd/klm at γ 0°

Luminance values (cd/m²)

	C 0/180
L80	0
L70	0
L65	0

UGR 15.2 15.2
X 4H Y 8H ρ 70/50/20 S 0.25H

H(m)	ϕ (m)	$E_{max}(lx)$	$E_m(lx)$
2	1.66	1495	1129
3	2.49	665	502
4	3.31	374	282
5	4.14	239	181
6	4.97	166	125

No. of luminaires in room

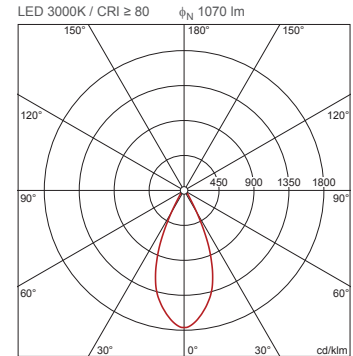
Reflection factors	70/50/20					
	100		200		500	
$E_m(lx)$	2.5	3.0	2.5	3.0	2.5	3.0
Lh(m)	2.5	3.0	2.5	3.0	2.5	3.0
20 m ²	0.7	0.7	1.3	1.5	3.3	3.6
30 m ²	1.1	1.0	2.2	2.0	5.5	5.1
40 m ²	1.4	1.4	2.7	2.8	6.8	7.0
50 m ²	1.7	1.7	3.5	3.4	8.6	8.5
75 m ²	2.7	2.5	5.3	4.9	13	12
100 m ²	3.3	3.4	6.7	6.7	17	17
500 m ²	16	16	32	33	81	81

Maintenance factor 0.8

Rh = Lh

**51DH11CD1FF22 +
59DL1L0000G0000D0: 1x
LED 3000K / CRI ≥ 80**

4058352106891 + 4058352030165
51DH11CD1FF22 + 59DL1L0000G0000D0



I_{max} 1764 cd/klm at γ 0°

Luminance values (cd/m²)

	C 0/180
L80	0
L70	0
L65	0

UGR 11.2 11.2
X 4H Y 8H ρ 70/50/20 S 0.25H

H(m)	ϕ (m)	$E_{max}(lx)$	$E_m(lx)$
2	1.66	472	356
3	2.49	210	158
4	3.31	118	89
5	4.14	76	57
6	4.97	52	40

No. of luminaires in room

Reflection factors	70/50/20					
	100		200		500	
$E_m(lx)$	2.5	3.0	2.5	3.0	2.5	3.0
Lh(m)	2.5	3.0	2.5	3.0	2.5	3.0
20 m ²	2.1	2.3	4.2	4.6	11	12
30 m ²	3.5	3.2	7.0	6.5	17	16
40 m ²	4.3	4.4	8.6	8.8	22	22
50 m ²	5.5	5.4	11	11	27	27
75 m ²	8.5	7.8	17	16	42	39
100 m ²	11	11	21	21	53	53
500 m ²	51	52	102	103	255	258

Maintenance factor 0.8

Rh = Lh

It is mandatory that the assembly instructions must be observed when planning and installing the electrical installation (to be found at www.siteco.de)

Tolerances related to thermal, electrical and photometric data according to IEC 62722

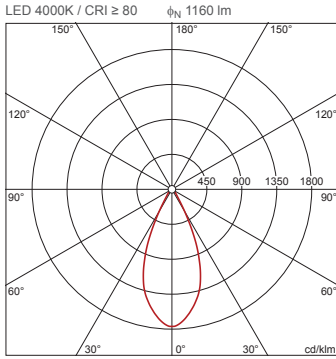
Issued 10.11.2023 - Modifications and errors subject to change - Ensure that you always use the latest version -

Order No.: 59DL1L0000G0000D0 | GTIN (EAN): 4058352030165

Planning data: Lun11lens,dir,surf

**51DH11CD1FG22 +
59DL1L0000G0000D0: 1x
LED 4000K / CRI ≥ 80**

4058352106884 + 4058352030165
51DH11CD1FG22 +
59DL1L0000G0000D0



I_{max} 1764 cd/klm at γ 0°

Luminance values (cd/m²)

C 0/180
L80 0
L70 0
L65 0

UGR 11.5 11.5
X 4H Y 8H ρ 70/50/20 S 0.25H

H(m)	ϕ (m)	$E_{max}(lx)$	$E_m(lx)$
2	1.66	512	386
3	2.49	227	172
4	3.31	128	97
5	4.14	82	62
6	4.97	57	43

No. of luminaires in room
Reflection factors 70/50/20

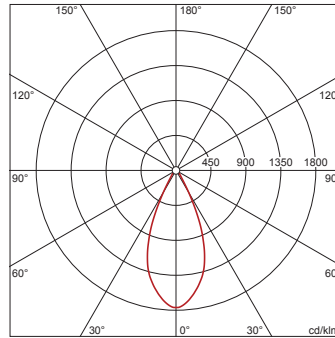
$E_m(lx)$	100	200	500			
Lh(m)	2.5	3.0	2.5	3.0		
20 m²	1.9	2.1	3.9	4.3	9.7	11
30 m²	3.2	3.0	6.4	6.0	16	15
40 m²	4.0	4.1	7.9	8.2	20	20
50 m²	5.0	5.0	10	10.0	25	25
75 m²	7.8	7.2	16	14	39	36
100 m²	9.8	9.8	20	20	49	49
500 m²	47	48	94	95	236	238

Maintenance factor 0.8

Rh = Lh

**51DH11CD2FF22 +
59DL1L0000G0000D0: 1x
LED 3000K / CRI ≥ 80**

4058352107485 + 4058352030165
51DH11CD2FF22 + 59DL1L0000G0000D0



I_{max} 1764 cd/klm at γ 0°

Luminance values (cd/m²)

C 0/180
L80 0
L70 0
L65 0

UGR 13.5 13.5
X 4H Y 8H ρ 70/50/20 S 0.25H

H(m)	ϕ (m)	$E_{max}(lx)$	$E_m(lx)$
2	1.66	918	692
3	2.49	408	308
4	3.31	229	173
5	4.14	147	111
6	4.97	102	77

No. of luminaires in room

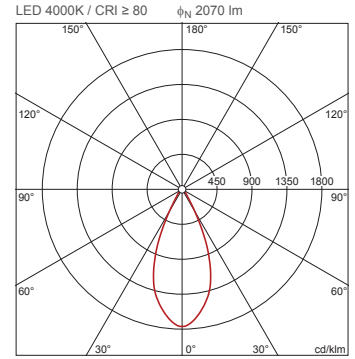
Reflection factors 70/50/20	$E_m(lx)$					
	100	200	500			
Lh(m)	2.5	3.0	2.5	3.0	2.5	3.0
20 m²	1.1	1.2	2.2	2.4	5.4	5.9
30 m²	1.8	1.7	3.6	3.3	9.0	8.3
40 m²	2.2	2.3	4.4	4.5	11	11
50 m²	2.8	2.8	5.6	5.6	14	14
75 m²	4.4	4.0	8.7	8.1	22	20
100 m²	5.4	5.5	11	11	27	27
500 m²	26	27	53	53	131	133

Maintenance factor 0.8

Rh = Lh

**51DH11CD2FG22 +
59DL1L0000G0000D0: 1x
LED 4000K / CRI ≥ 80**

4058352107768 + 4058352030165
51DH11CD2FG22 +
59DL1L0000G0000D0



I_{max} 1764 cd/klm at γ 0°

Luminance values (cd/m²)

C 0/180
L80 0
L70 0
L65 0

UGR 13.5 13.5
X 4H Y 8H ρ 70/50/20 S 0.25H

H(m)	ϕ (m)	$E_{max}(lx)$	$E_m(lx)$
2	1.66	913	689
3	2.49	406	306
4	3.31	228	172
5	4.14	146	110
6	4.97	101	77

No. of luminaires in room

Reflection factors 70/50/20	$E_m(lx)$					
	100	200	500			
Lh(m)	2.5	3.0	2.5	3.0	2.5	3.0
20 m²	1.1	1.2	2.2	2.4	5.4	6.0
30 m²	1.8	1.7	3.6	3.4	9.0	8.4
40 m²	2.2	2.3	4.5	4.6	11	11
50 m²	2.8	2.8	5.7	5.6	14	14
75 m²	4.4	4.1	8.7	8.1	22	20
100 m²	5.5	5.5	11	11	27	28
500 m²	26	27	53	53	132	133

Maintenance factor 0.8

Rh = Lh

It is mandatory that the assembly instructions must be observed when planning and installing the electrical installation (to be found at www.siteco.de)

Tolerances related to thermal, electrical and photometric data according to IEC 62722

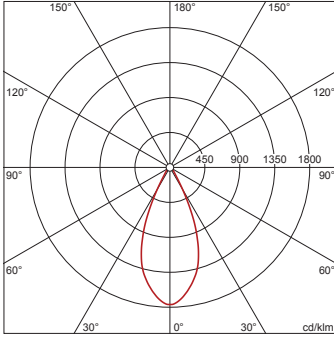
Issued 10.11.2023 - Modifications and errors subject to change - Ensure that you always use the latest version -

Order No.: 59DL1L0000G0000D0 | GTIN (EAN): 4058352030165

Planning data: Lun11lens,dir,surf

**51DH11CD3FF22 +
59DL1L0000G0000D0: 1x
LED 3000K / CRI ≥ 80**

4058352107515 + 4058352030165
51DH11CD3FF22 + 59DL1L0000G0000D0
LED 3000K / CRI ≥ 80 ϕ_N 2910 lm



I_{max} 1764 cd/klm at γ 0°

Luminance values (cd/m²)

C 0/180
L80 0
L70 0
L65 0

UGR 14.7 14.7
X 4H Y 8H ρ 70/50/20 S 0.25H

H(m)	ϕ (m)	E_{max} (lx)	E_m (lx)
2	1.66	1284	969
3	2.49	571	431
4	3.31	321	242
5	4.14	205	155
6	4.97	143	108

No. of luminaires in room
Reflection factors 70/50/20

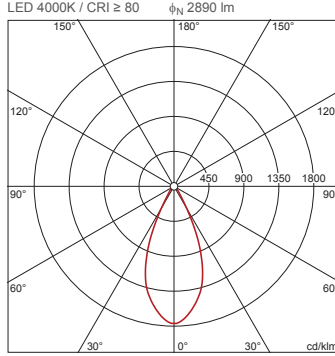
E_m (lx)	100	200	500			
Lh(m)	2.5	3.0	2.5	3.0	2.5	3.0
20 m²	0.8	0.8	1.5	1.7	3.9	4.2
30 m²	1.3	1.2	2.6	2.4	6.4	6.0
40 m²	1.6	1.6	3.2	3.3	7.9	8.1
50 m²	2.0	2.0	4.0	4.0	10	9.9
75 m²	3.1	2.9	6.2	5.8	16	14
100 m²	3.9	3.9	7.8	7.8	19	20
500 m²	19	19	38	38	94	95

Maintenance factor 0.8

Rh = Lh

**51DH11CD3FG22 +
59DL1L0000G0000D0: 1x
LED 4000K / CRI ≥ 80**

4058352107980 + 4058352030165
51DH11CD3FG22 + 59DL1L0000G0000D0
LED 4000K / CRI ≥ 80 ϕ_N 2890 lm



I_{max} 1764 cd/klm at γ 0°

Luminance values (cd/m²)

C 0/180
L80 0
L70 0
L65 0

UGR 14.6 14.6
X 4H Y 8H ρ 70/50/20 S 0.25H

H(m)	ϕ (m)	E_{max} (lx)	E_m (lx)
2	1.66	1275	962
3	2.49	567	428
4	3.31	319	241
5	4.14	204	154
6	4.97	142	107

No. of luminaires in room
Reflection factors 70/50/20

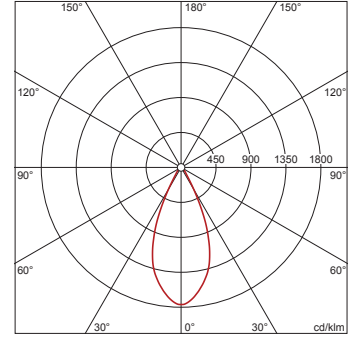
E_m (lx)	100	200	500			
Lh(m)	2.5	3.0	2.5	3.0	2.5	3.0
20 m²	0.8	0.9	1.6	1.7	3.9	4.3
30 m²	1.3	1.2	2.6	2.4	6.5	6.0
40 m²	1.6	1.6	3.2	3.3	8.0	8.2
50 m²	2.0	2.0	4.0	4.0	10	10.0
75 m²	3.1	2.9	6.3	5.8	16	15
100 m²	3.9	3.9	7.8	7.9	20	20
500 m²	19	19	38	38	95	96

Maintenance factor 0.8

Rh = Lh

**51DH11CD4FF22 +
59DL1L0000G0000D0: 1x
LED 3000K / CRI ≥ 80**

4058352107522 + 4058352030165
51DH11CD4FF22 + 59DL1L0000G0000D0
LED 3000K / CRI ≥ 80 ϕ_N 3370 lm



I_{max} 1764 cd/klm at γ 0°

Luminance values (cd/m²)

C 0/180
L80 0
L70 0
L65 0

UGR 15.2 15.2
X 4H Y 8H ρ 70/50/20 S 0.25H

H(m)	ϕ (m)	E_{max} (lx)	E_m (lx)
2	1.66	1487	1122
3	2.49	661	499
4	3.31	372	280
5	4.14	238	179
6	4.97	165	125

No. of luminaires in room
Reflection factors 70/50/20

E_m (lx)	100	200	500			
Lh(m)	2.5	3.0	2.5	3.0	2.5	3.0
20 m²	0.7	0.7	1.3	1.5	3.3	3.7
30 m²	1.1	1.0	2.2	2.1	5.5	5.2
40 m²	1.4	1.4	2.7	2.8	6.8	7.0
50 m²	1.7	1.7	3.5	3.4	8.7	8.6
75 m²	2.7	2.5	5.4	5.0	13	12
100 m²	3.4	3.4	6.7	6.8	17	17
500 m²	16	16	32	33	81	82

Maintenance factor 0.8

Rh = Lh

It is mandatory that the assembly instructions must be observed when planning and installing the electrical installation (to be found at www.siteco.de)

Tolerances related to thermal, electrical and photometric data according to IEC 62722

Issued 10.11.2023 - Modifications and errors subject to change - Ensure that you always use the latest version -

Order No.: 59DL1L0000G0000D0 | GTIN (EAN): 4058352030165

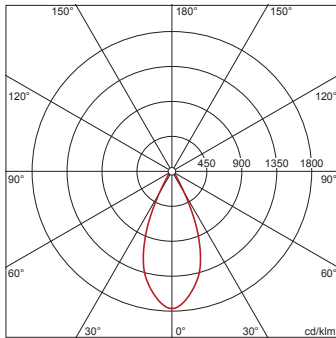
Planning data: Lun11lens,dir,surf

**51DH11CD4FG22 +
59DL1L0000G0000D0: 1x
LED 4000K / CRI ≥ 80**

4058352107508 + 4058352030165

51DH11CD4FG22 +
59DL1L0000G0000D0

LED 4000K / CRI ≥ 80 ϕ_N 3390 lm



I_{max} 1764 cd/klm at γ 0°

Luminance values (cd/m²)

C 0/180
L80 0
L70 0
L65 0

UGR 15.2 15.2
X 4H Y 8H ρ 70/50/20 S 0.25H

H(m)	ϕ (m)	$E_{max}(lx)$	$E_m(lx)$
2	1.66	1495	1129
3	2.49	665	502
4	3.31	374	282
5	4.14	239	181
6	4.97	166	125

No. of luminaires in room

Reflection factors 70/50/20

$E_m(lx)$	100		200		500	
	Lh(m)	2.5	3.0	2.5	3.0	2.5
20 m ²	0.7	0.7	1.3	1.5	3.3	3.6
30 m ²	1.1	1.0	2.2	2.0	5.5	5.1
40 m ²	1.4	1.4	2.7	2.8	6.8	7.0
50 m ²	1.7	1.7	3.5	3.4	8.6	8.5
75 m ²	2.7	2.5	5.3	4.9	13	12
100 m ²	3.3	3.4	6.7	6.7	17	17
500 m ²	16	16	32	33	81	81

Maintenance factor 0.8

Rh = Lh

It is mandatory that the assembly instructions must be observed when planning and installing the electrical installation (to be found at www.siteco.de)

Tolerances related to thermal, electrical and photometric data according to IEC 62722

Issued 10.11.2023 - Modifications and errors subject to change - Ensure that you always use the latest version -