

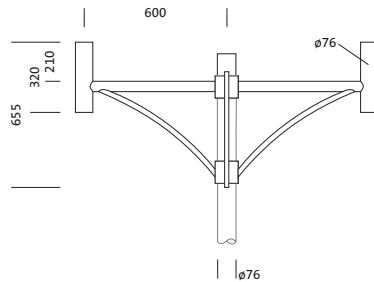
Order No.: 5NY52650XG28 | GTIN (EAN): 4039806215833

**Product description:** rocker,mastarmØ76,2arm,L600Ø76,galv



rocker, mast arm, design arm, of steel, galvanised and coated, Siteco® metallic grey (DB 702S), 2-arm, with integrated mast termination, spigot size: 76mm (post-top), bracket dimensions: 600mm, packaging unit: 1 piece

Wt. (kg): 13.8  
GTIN (EAN): 4039806215833



Order No.: 5NY52650XG28 | GTIN (EAN): 4039806215833

**Detailed technical description:** rocker,mastarmØ76,2arm,L600Ø76,galv



#### Key data

- Product type: mast arm
- Product name: rocker
- Order No.: 5NY52650XG28

#### Material, Colour

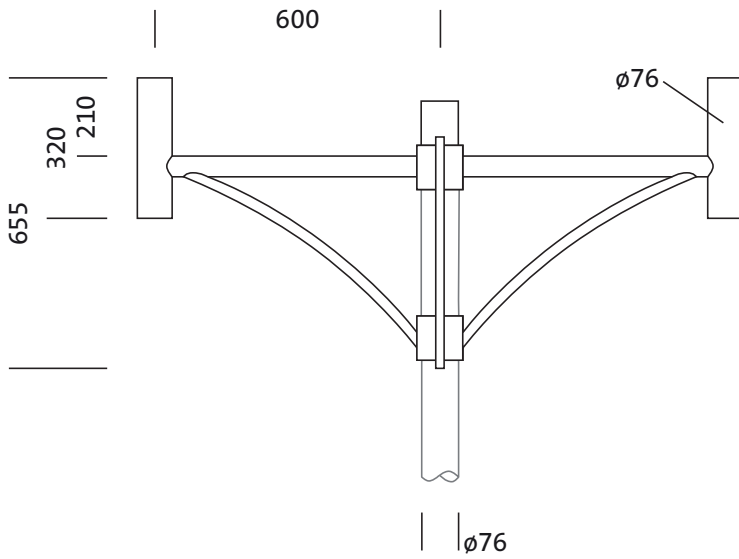
- design arm: steel, galvanised and coated, Siteco® metallic grey (DB 702S), with integrated mast termination
- Colour specification: Siteco® metallic grey (DB 702S)

#### Dimensions, Weight

- Weight: 13.8kg
- Mast spigot: spigot size: 76mm

Order No.: 5NY52650XG28 | GTIN (EAN): 4039806215833

Dimensions: rocker,mastarm $\varnothing$ 76,2arm,L600 $\varnothing$ 76,galv



It is mandatory that the assembly instructions must be observed when planning and installing the electrical installation (to be found at [www.siteco.de](http://www.siteco.de))  
Tolerances related to thermal, electrical and photometric data according to IEC 62722  
Issued 07.07.2023 - Modifications and errors subject to change - Ensure that you always use the latest version -