

Order No.: 51DH11CD2FG22 | **GTIN (EAN):** 4058352107768

Product description: Lun11mnRdSp,rec,nrrw,1980lm840,DA,5p,sr



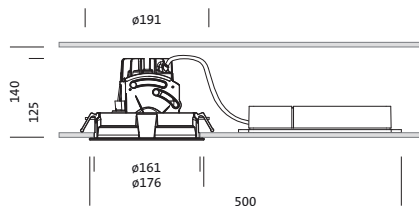
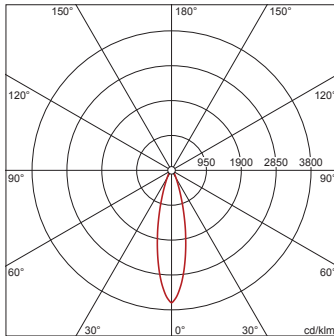
Lunis 11 mini round, Spot, downlight, LED rated luminous flux: 1.980lm, light colour: 840, with terminal, 5-pole, mains connection: 220..230V, AC, 50/60Hz, LED module, luminaire module, of diecast aluminium, coated, silver, diameter: 176mm, clamping range: 1..40mm, recessing ring, round, of PC, traffic white (RAL 9016), protection rating (complete): IP20, insulation class (complete): insulation class II (safety insulation), certification: CE, permissible ambient temperature for indoor applications: 0..+35°C, packaging unit: 1 piece

IP 20  

Lamps: LED
 Wt. (kg): 0.7
 GTIN (EAN): 4058352107768

4058352107768
 51DH11CD2FG22

LED 4000K / CRI ≥ 80 ϕ_{N} 1980 lm



It is mandatory that the assembly instructions must be observed when planning and installing the electrical installation (to be found at www.siteco.de)

Tolerances related to thermal, electrical and photometric data according to IEC 62722

Issued 25.02.2023 - Modifications and errors subject to change - Ensure that you always use the latest version -

Order No.: 51DH11CD2FG22 | GTIN (EAN): 4058352107768

Detailed technical description: Lun11mnRdSp,rec,nrrw,1980lm840,DA,5p,sr



Key data

- Product type: downlight
- Product name: Lunis 11 mini round Spot
- Order No.: 51DH11CD2FG22

Lighting technology | Lamps | Control gear

Component 1

Lighting technology:

- Beam angle: narrow distribution
- UGR viewing direction along lateral luminaire axis: ≤ 19

Lamps:

- Lamps: with High Power LED, LED
- Rated luminous flux: 1980lm
- Luminous efficacy: 102lm/W
- Colour temperature: 4000K
- Colour rendering index: CRI > 80
- Light colour: 840
- SDCM (Standard Deviation of Colour Matching): MacAdam ≤ 3 SDCM (initial)
- Rated input power: 19W

Operating device:

- Control: DALI

Certificates, Standards

- Protection rating: IP20
- Insulation class: insulation class II (safety insulation)
- Temperature range (operation): 0..+35°C
- Certification, designation: CE

Material, Colour

- LED module: diecast aluminium, coated, silver
- luminaire module: diecast aluminium, coated, silver
- Colour specification: silver
- recessing ring: PC, traffic white (RAL 9016), round
- Colour specification: traffic white (RAL 9016)

Mounting

- Mounting method, mounting location: recessed, in the ceiling
- \varnothing of ceiling cut-out: 162mm
- Clamping range: 1..40mm
- Arrangement: single arrangement

Electrical connection

- Connection: terminal, 5-pole
- Nominal voltage: 220..230V, 50/60Hz, AC

Dimensions, Weight

- Diameter: 176mm
- Height: 125mm
- Weight: 0.7kg

Service life

- Rated service life: 50000h (L85/B50) at AT = 25°C

Order No.: 51DH11CD2FG22 | GTIN (EAN): 4058352107768

Dimensions: Lun11mnRdSp,rec,nrrw,1980lm840,DA,5p,sr



It is mandatory that the assembly instructions must be observed when planning and installing the electrical installation (to be found at www.siteco.de)

Tolerances related to thermal, electrical and photometric data according to IEC 62722

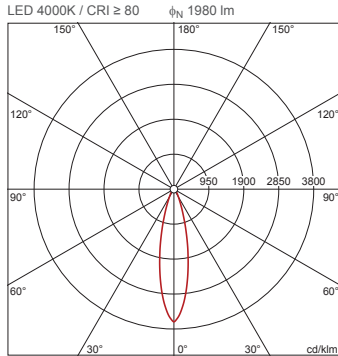
Issued 25.02.2023 - Modifications and errors subject to change - Ensure that you always use the latest version -

Order No.: 51DH11CD2FG22 | **GTIN (EAN):** 4058352107768

Planning data: Lun11mnRdSp,rec,nrrw,1980lm840,DA,5p,sr

**51DH11CD2FG22: 1x LED
4000K / CRI ≥ 80**

4058352107768
51DH11CD2FG22



I_{max} 3605 cd/klm at γ 0°

Luminance values (cd/m²)

C 0/180
L80 0
L70 0
L65 0

UGR 13.6 13.6
X 4H Y 8H ρ 70/50/20 S 0.25H

H(m)	ϕ (m)	E_{max} (lx)	E_m (lx)
2	0.87	1784	1366
3	1.31	793	607
4	1.74	446	342
5	2.18	285	219
6	2.62	198	152

No. of luminaires in room

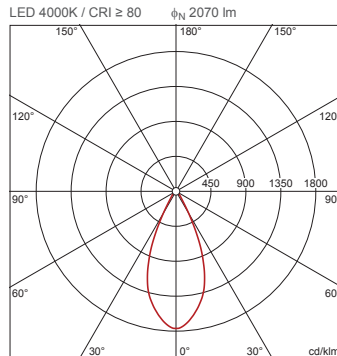
Reflection factors 70/50/20

E_m (lx)	100	200	500
Lh(m)	2.5 3.0	2.5 3.0	2.5 3.0
20 m²	0.9 1.1	1.9 2.2	4.7 5.4
30 m²	2.6 2.2	5.1 4.4	13 11
40 m²	2.8 2.6	5.5 5.1	14 13
50 m²	3.6 3.3	7.3 6.6	18 16
75 m²	6.1 5.2	12 10	30 26
100 m²	6.8 6.2	14 12	34 31
500 m²	32 30	65 59	161 148

Maintenance factor 0.8 Rh = Lh

**51DH11CD2FG22 +
59DL1L0000G0000D0: 1x
LED 4000K / CRI ≥ 80**

4058352107768 + 4058352030165
51DH11CD2FG22 +
59DL1L0000G0000D0



I_{max} 1764 cd/klm at γ 0°

Luminance values (cd/m²)

C 0/180
L80 0
L70 0
L65 0

UGR 13.5 13.5
X 4H Y 8H ρ 70/50/20 S 0.25H

H(m)	ϕ (m)	E_{max} (lx)	E_m (lx)
2	1.66	913	689
3	2.49	406	306
4	3.31	228	172
5	4.14	146	110
6	4.97	101	77

No. of luminaires in room

Reflection factors 70/50/20

E_m (lx)	100	200	500
Lh(m)	2.5 3.0	2.5 3.0	2.5 3.0
20 m²	1.1 1.2	2.2 2.4	5.4 6.0
30 m²	1.8 1.7	3.6 3.4	9.0 8.4
40 m²	2.2 2.3	4.5 4.6	11 11
50 m²	2.8 2.8	5.7 5.6	14 14
75 m²	4.4 4.1	8.7 8.1	22 20
100 m²	5.5 5.5	11 11	27 28
500 m²	26 27	53 53	132 133

Maintenance factor 0.8 Rh = Lh

It is mandatory that the assembly instructions must be observed when planning and installing the electrical installation (to be found at www.siteco.de)

Tolerances related to thermal, electrical and photometric data according to IEC 62722

Issued 25.02.2023 - Modifications and errors subject to change - Ensure that you always use the latest version -