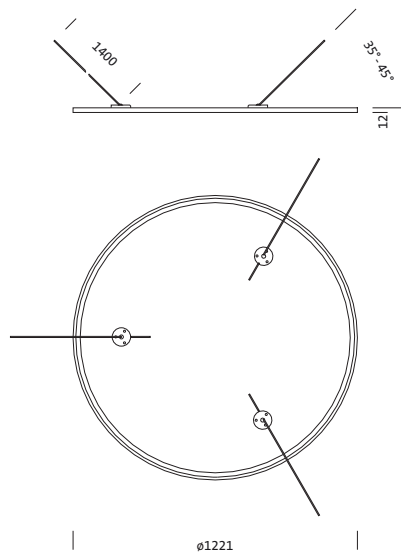


Order No.: 5NW13993KC | GTIN (EAN): 4039806449757

Product description: SMI,1200,fresn-refl100,PMMA,alu,spec

secondary reflector, for Siteco Mirrortec® Indoor, wire hanger, housing, circular, of aluminium, coated, metallic grey (RAL 9006), fresnel reflector 100, of PMMA, aluminized, highly specular, light point resolution, fresnel structure, diameter: 1.200 mm

Wt. (kg): 11.7  
GTIN (EAN): 4039806449757



It is mandatory that the assembly instructions must be observed when planning and installing the electrical installation (to be found at [www.siteco.de](http://www.siteco.de))  
Tolerances related to thermal, electrical and photometric data according to IEC 62722  
Issued 24.02.2023 - Modifications and errors subject to change - Ensure that you always use the latest version -

**Order No.:** 5NW13993KC | **GTIN (EAN):** 4039806449757

**Detailed technical description:** SMI,1200,fresn-refl100,PMMA,alu,spec

#### Key data

- Product type: secondary reflector
- Product name: Siteco Mirrortec® Indoor
- Order No.: 5NW13993KC

#### Lighting technology | Lamps | Control gear

#### Component 2

#### Lighting technology:

- Light control: fresnel reflector 100 of PMMA, aluminized, highly specular
- Glare reduction: light point resolution, fresnel structure
- Beam angle: narrow distribution
- Symmetry: symmetric distribution

#### Material, Colour

- wire hanger: aluminium, coated, metallic grey (RAL 9006), circular
- housing: aluminium, coated, metallic grey (RAL 9006), circular
- Colour specification: metallic grey (RAL 9006)

#### Mounting

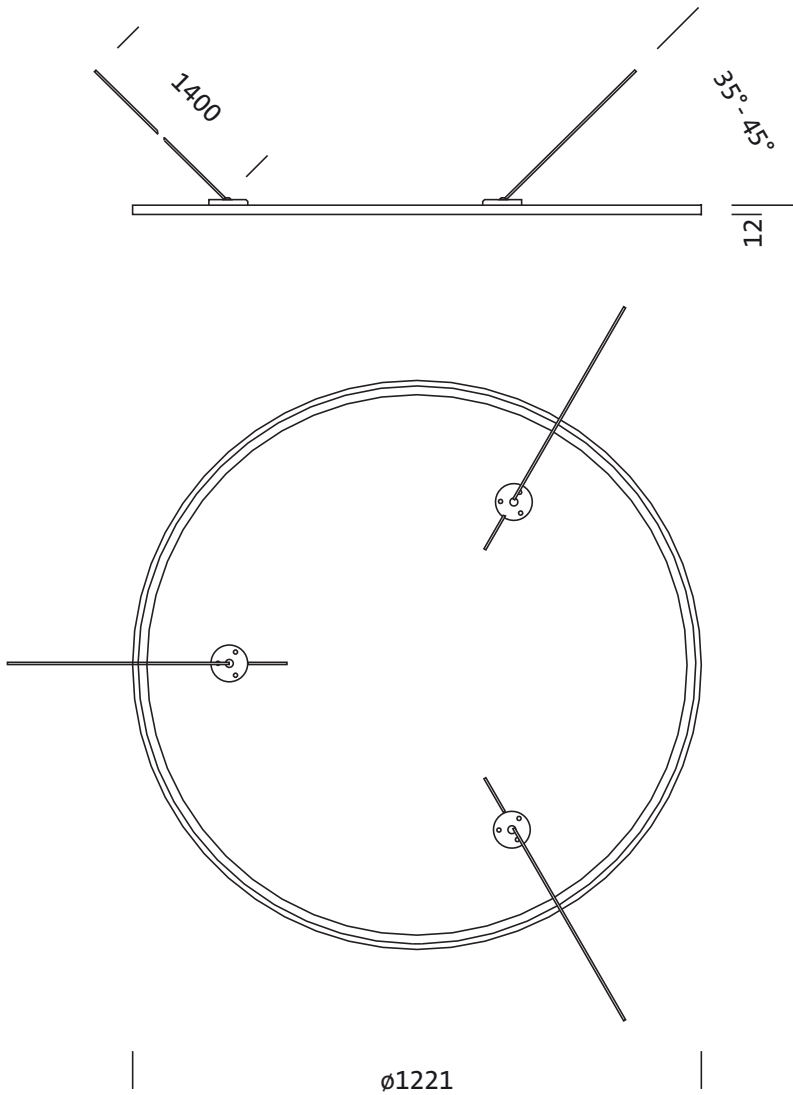
- Mounting method, mounting location: suspended mounting, to the ceiling
- Arrangement: single arrangement

#### Dimensions, Weight

- Diameter: 1200mm
- Weight: 11.7kg

Order No.: 5NW13993KC | GTIN (EAN): 4039806449757

Dimensions: SMI,1200,fresn-refl100,PMMA,alu,spec



It is mandatory that the assembly instructions must be observed when planning and installing the electrical installation (to be found at [www.siteco.de](http://www.siteco.de))  
Tolerances related to thermal, electrical and photometric data according to IEC 62722  
Issued 24.02.2023 - Modifications and errors subject to change - Ensure that you always use the latest version -