

**Order No.:** 5MX51BS8WZK00006XX | **GTIN (EAN):** 4058352374597

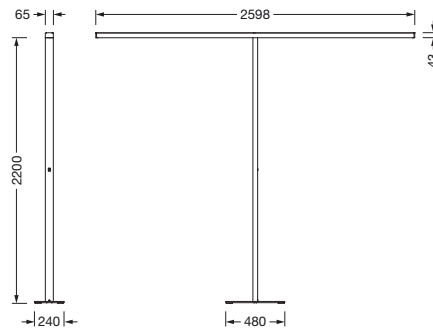
**Product description:** Sil11FL-d,24930lm840,DA,wh



Silica® 11 Floor duo, floorstanding luminaire, of PMMA, primary optical cover: cover panel, of PMMA, light emission: indirect/direct distribution, primary light characteristic: symmetric, installation type: not mounted, LED, rated luminous flux: 24.930lm, luminous efficacy: 161lm/W, light colour: 840, colour temperature: 4000K, daylight-dependent control, mains connection: 230V, AC, 50Hz, connection cable pre-assembled, cable length: 3m, rated input power: 155W, luminaire head, rectangular, rounded, of aluminium, coated, traffic white (RAL 9016), supporting column, angular, of aluminium, coated, traffic white (RAL 9016), baseplate, of steel, coated, traffic white (RAL 9016), length: 2.598mm, width: 65mm, protection rating (complete): IP20, insulation class (complete): insulation class I (protective earthing), certification: CE, permissible operating ambient temperature: 0..+35°C, standard: EN 50419, packaging unit: 1 piece

IP 20  

Lamps: LED  
 Wt. (kg): 21.0  
 GTIN (EAN): 4058352374597



Order No.: 5MX51BS8WZK00006XX | GTIN (EAN): 4058352374597

Detailed technical description: Sil11FL-d,24930lm840,DA,wh



#### Key data

- Product type: floorstanding luminaire
- Product name: Silica® 11 Floor duo
- Order No.: 5MX51BS8WZK00006XX

#### Lighting technology | Lamps | Control gear

#### Component 1

#### Lighting technology:

- Cover: cover panel
- Beam angle: 40°
- Symmetry: symmetric
- Light emission: indirect/direct distribution
- UGR viewing direction along longitudinal luminaire axis: ≤ 19
- UGR viewing direction along lateral luminaire axis: ≤ 19

#### Lamps:

- Lamps: with LED
- Rated luminous flux: 24930lm
- Luminous efficacy: 161lm/W
- Colour temperature: 4000K
- Colour rendering index: CRI > 80
- Light colour: 840
- SDCM (Standard Deviation of Colour Matching): MacAdam ≤ 3 SDCM (initial)
- Rated input power: 155W
- Supplement: with ambient light and presence detector

#### Operating device:

- Control: DALI
- Switching method: daylight-dependent control

#### Certificates, Standards

- Protection rating: IP20
- Insulation class: insulation class I (protective earthing)
- Temperature range (operation): 0..+35°C
- Standard: EN 50419
- Certification, designation: CE

#### Material, Colour

- luminaire head: aluminium, coated, traffic white (RAL 9016), rectangular, rounded
- Quantity: 2 piece
- Colour specification: traffic white (RAL 9016)
- supporting column: aluminium, coated, traffic white (RAL 9016), angular
- Quantity: 1 piece
- Colour specification: traffic white (RAL 9016)
- baseplate: steel, coated, traffic white (RAL 9016)
- Colour specification: traffic white (RAL 9016)
- Cover: cover panel of PMMA

#### Mounting

- Mounting method, mounting location: not mounted

#### Electrical connection

- Nominal voltage: 230V, 50Hz, AC
- Connection cable: pre-assembled, L= 3m

#### Dimensions, Weight

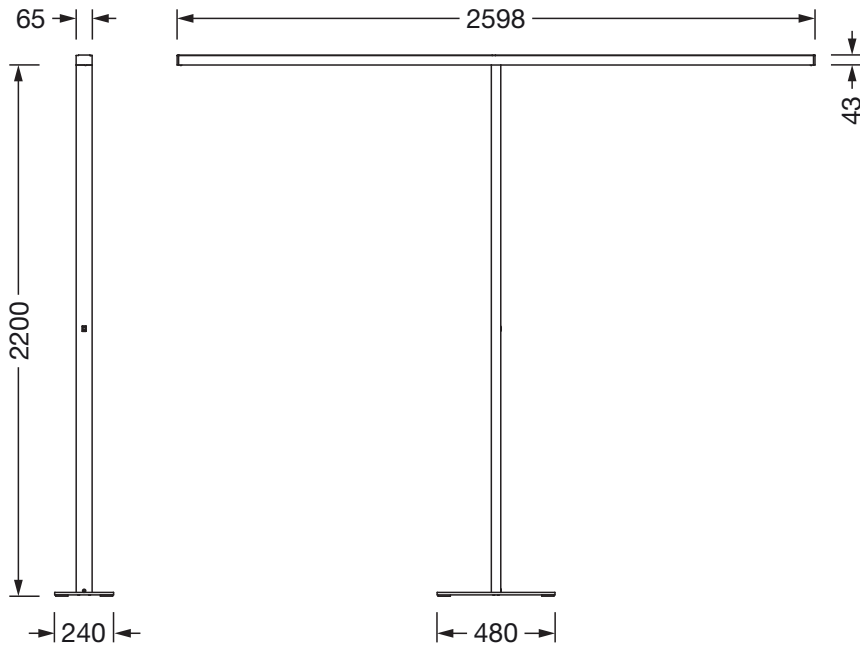
- Weight: 21.0kg

#### Service life

- Rated service life: 50000h (L85/B50) at AT = 25°C

Order No.: 5MX51BS8WZK00006XX | GTIN (EAN): 4058352374597

Dimensions: Sil11FL-d,24930lm840,DA,wh



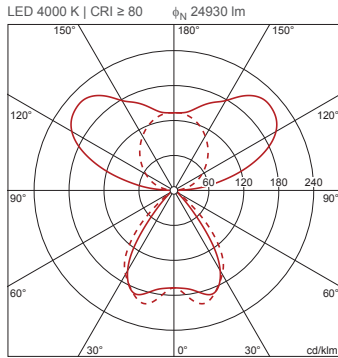
It is mandatory that the assembly instructions must be observed when planning and installing the electrical installation (to be found at [www.siteco.de](http://www.siteco.de))  
Tolerances related to thermal, electrical and photometric data according to IEC 62722  
Issued 27.10.2023 - Modifications and errors subject to change - Ensure that you always use the latest version -

Order No.: 5MX51BS8WZK00006XX | GTIN (EAN): 4058352374597

Planning data: Sil1FL-d,24930lm840,DA,wh

**5MX51BS8WZK00006XX: 1x LED; factory setting: direct and indirect light**

4058352374597  
5MX51BS8WZK00006XX



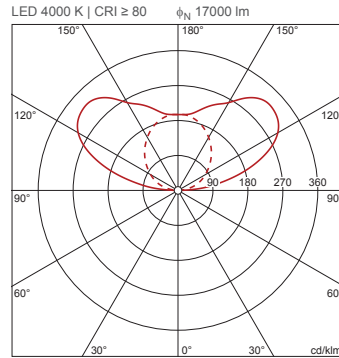
$\phi_{\downarrow}$  32%  $\phi_{\uparrow}$  68%

Luminance values (cd/m<sup>2</sup>)

	C 0/180	C 90/270
L <sub>80</sub>	1071	1276
L <sub>70</sub>	1724	2141
L <sub>65</sub>	1966	2816

**5MX51BS8WZK00006XX: 1x LED; individual setting: only indirect light**

4058352374597  
5MX51BS8WZK00006XX



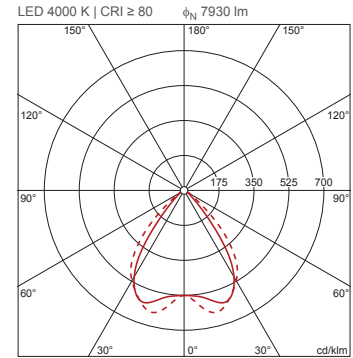
$\phi_{\downarrow}$  0%  $\phi_{\uparrow}$  100%

Luminance values (cd/m<sup>2</sup>)

	C 0/180	C 90/270
L <sub>80</sub>	0	0
L <sub>70</sub>	0	0
L <sub>65</sub>	0	0

**5MX51BS8WZK00006XX: 1x LED; individual setting: only direct light**

4058352374597  
5MX51BS8WZK00006XX



$\phi_{\downarrow}$  100%  $\phi_{\uparrow}$  0%

Luminance values (cd/m<sup>2</sup>)

	C 0/180	C 90/270
L <sub>80</sub>	1071	1276
L <sub>70</sub>	1724	2141
L <sub>65</sub>	1966	2816

UGR 17.3 19  
X 4H Y 8H  $\rho$  70/50/20 S 0.25H