

Order No.: 59US1HXMPR2A | GTIN (EAN): 4058352363881

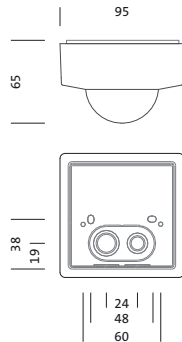
Product description: SConSHead,SensHdPR2M,lokCtrl,PIR-sens



Siteco Connect Sensor-HeadSensor-Head PR2-M, master, local control, switchable, dimmable, installation type: slip-in mounting, installation location: on interface, of plastic, protection rating (complete): IP54, certification: CE, VDE, 1 x PIR movement sensor, 1 x light sensor, 1 x IR receiver, packaging unit: 1 piece



Wt. (kg): 0.1
GTIN (EAN): 4058352363881



Order No.: 59US1HXMPR2A | GTIN (EAN): 4058352363881

Detailed technical description: SConSHead,SensHdPR2M,IokCtrl,PIR-sens



Key data

- System family: SITECO Connect
- Product type: sensor
- Product name: Siteco Connect Sensor-Head
- Order No.: 59US1HXMPR2A

Certificates, Standards

- Protection rating: IP54
- Temperature range (operation): -20..+50°C
- Certification, designation: CE, VDE

Material, Colour

- housing: plastic, white
- Colour specification: white

Mounting

- Mounting method, mounting location: slip-in mounting, on interface
- Mounting height: 4..14m

Dimensions, Weight

- Length: 95mm
- Width: 95mm
- Height: 65mm
- Weight: 0.1kg

Inputs

1x PIR movement sensor

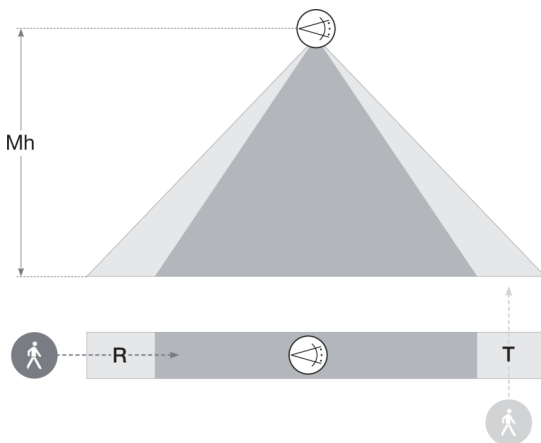
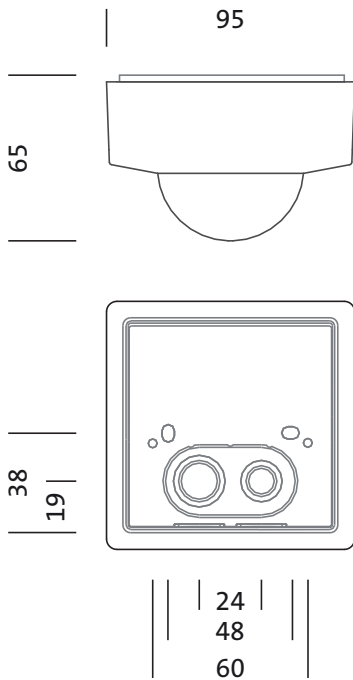
- Connection: system connector
- Detection range: max. 30x4m
- Option: 5 detection levels, 120 switching zones
- Feature: detection range can be limited with shield, rectangular detection area

1x IR receiver

- Feature: IR receiver for programming with Smart Remote

Order No.: 59US1HXMPR2A | GTIN (EAN): 4058352363881

Dimensions: SConSHead,SensHdPR2M,lokCtrl,PIR-sens



Sensor Head PR2

Mh	R	T
14m	30 x 4m	30 x 4m
12m	30 x 4m	30 x 4m
10m	25 x 4m	25 x 4m
8m	20 x 4m	20 x 4m
6m	15 x 4m	15 x 4m
4m	10 x 4m	10 x 4m

It is mandatory that the assembly instructions must be observed when planning and installing the electrical installation (to be found at www.siteco.de)
 Tolerances related to thermal, electrical and photometric data according to IEC 62722
 Issued 05.01.2024 - Modifications and errors subject to change - Ensure that you always use the latest version -