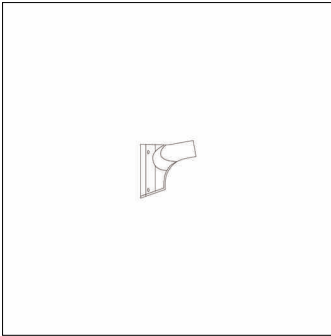


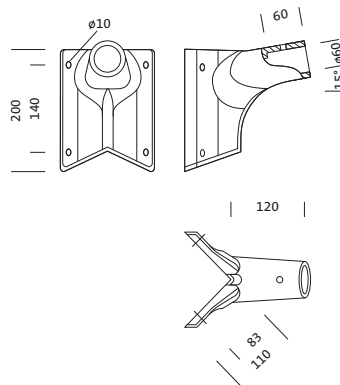
Order No.: 5NY5103108 | GTIN (EAN): 4050737722917

Product description: cornerflØ60,coat,DB702S



corner flange, corner flange, of diecast aluminium, coated, Siteco® metallic grey (DB 702S), packaging unit: 1 piece

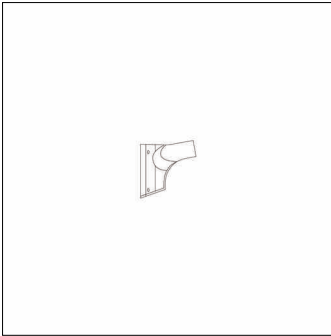
Wt. (kg): 1.0  
GTIN (EAN): 4050737722917



It is mandatory that the assembly instructions must be observed when planning and installing the electrical installation (to be found at [www.siteco.de](http://www.siteco.de))  
Tolerances related to thermal, electrical and photometric data according to IEC 62722  
Issued 24.02.2023 - Modifications and errors subject to change - Ensure that you always use the latest version -

Order No.: 5NY5103108 | GTIN (EAN): 4050737722917

Detailed technical description: cornerflØ60,coat,DB702S



#### Key data

- Product type: corner flange
- Product name: without family assignment
- Order No.: 5NY5103108

#### Material, Colour

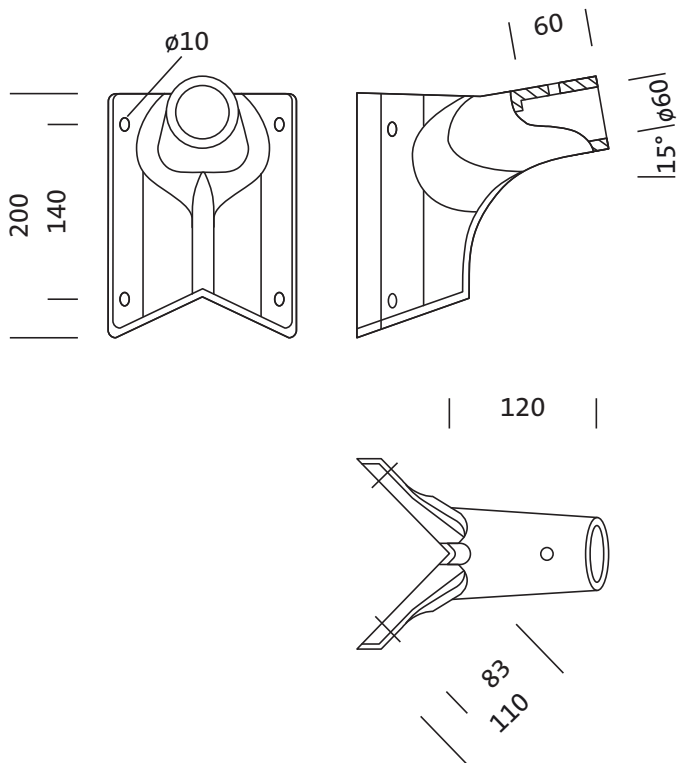
- corner flange: diecast aluminium, coated, Siteco® metallic grey (DB 702S)
- Colour specification: Siteco® metallic grey (DB 702S)

#### Dimensions, Weight

- Weight: 1.0kg

Order No.: 5NY5103108 | GTIN (EAN): 4050737722917

Dimensions: cornerflØ60,coat,DB702S



It is mandatory that the assembly instructions must be observed when planning and installing the electrical installation (to be found at [www.siteco.de](http://www.siteco.de))  
Tolerances related to thermal, electrical and photometric data according to IEC 62722  
Issued 24.02.2023 - Modifications and errors subject to change - Ensure that you always use the latest version -