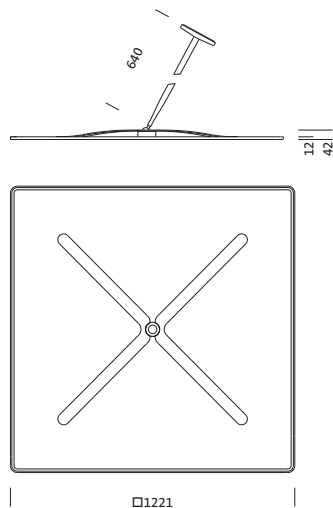


Order No.: 5NW14091QC | GTIN (EAN): 4039806588586

Product description: SMI,fresn-refl100,PMMA,alu,spec

secondary reflector, for Siteco Mirrortec® Indoor, ball-and-socket joint pendant suspension, housing, square, of aluminium, coated, metallic grey (RAL 9006), fresnel reflector 100, of PMMA, aluminized, highly specular, light point resolution, fresnel structure, length: 1.200 mm, width: 1.200 mm

Wt. (kg): 17.9  
GTIN (EAN): 4039806588586



Order No.: 5NW14091QC | GTIN (EAN): 4039806588586

Detailed technical description: SMI,fresn-refl100,PMMA,alu,spec

#### Key data

- Product type: secondary reflector
- Product name: Siteco Mirrortec® Indoor
- Order No.: 5NW14091QC

#### Lighting technology | Lamps | Control gear

#### Component 2

#### Lighting technology:

- Light control: fresnel reflector 100 of PMMA, aluminized, highly specular
- Glare reduction: light point resolution, fresnel structure
- Beam angle: wide distribution
- Symmetry: asymmetric distribution

#### Material, Colour

- ball-and-socket joint pendant suspension: aluminium, coated, metallic grey (RAL 9006), square
- housing: aluminium, coated, metallic grey (RAL 9006), square
- Colour specification: metallic grey (RAL 9006)

#### Mounting

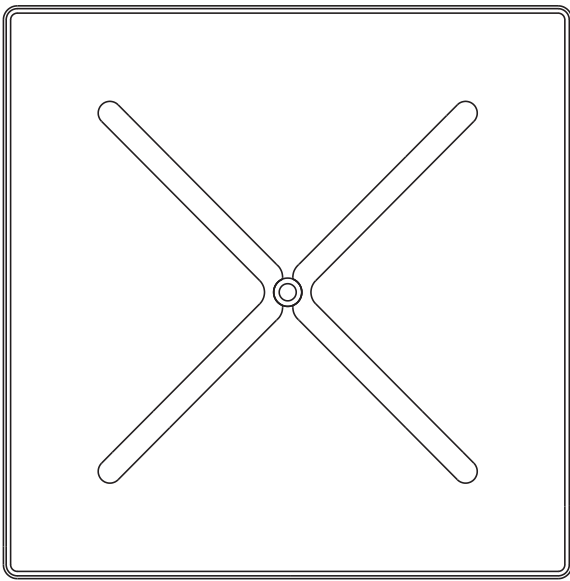
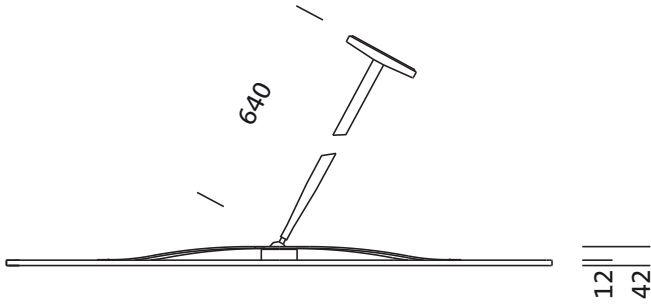
- Mounting method, mounting location: suspended mounting, to the ceiling, to the wall
- Arrangement: single arrangement

#### Dimensions, Weight

- Length: 1200mm
- Width: 1200mm
- Weight: 17.9kg

Order No.: 5NW14091QC | GTIN (EAN): 4039806588586

Dimensions: SMI,fresn-refl100,PMMA,alu,spec



□1221