

Order No.: 5LR610D4OB11AF | **GTIN (EAN):** 4058352125915

Product description: Lun11R,rec4860lm840,DAML

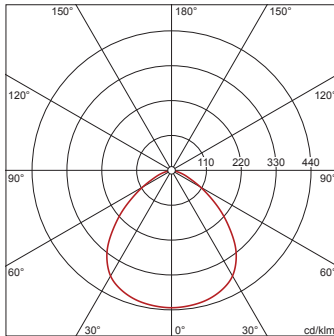


Lunis 11 R, downlight, light control with reflector, of ultra-pure aluminium (Al 99.98%), highly specular, perforated, light emission: direct distribution, LED rated luminous flux: 4.860lm, light colour: 840, control gear: ECG Multilumen, with terminal, 3+2-pole, max. 2.5mm², mains connection: 230V, AC, 50/60Hz, diameter: 398mm, central ring, of plastic, graphite (RAL 7037), central module, blanking cover, of sheet steel, perforated, metallic grey (RAL 9006), protection rating (complete): IP20, insulation class (complete): insulation class II (safety insulation), certification: CE, ENEC, VDE, protection symbol: F, permissible ambient temperature for indoor applications: +10..+35°C, standard: EN 50419, packaging unit: 1 piece

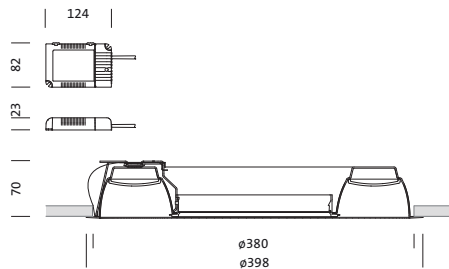


4058352125915
5LR610D4OB11AF

LED 4000K / CRI ≥ 80 Φ_N 4860 lm



Lamps: LED
Wt. (kg): 1.9
GTIN (EAN): 4058352125915



It is mandatory that the assembly instructions must be observed when planning and installing the electrical installation (to be found at www.siteco.de)

Tolerances related to thermal, electrical and photometric data according to IEC 62722

Issued 19.01.2024 - Modifications and errors subject to change - Ensure that you always use the latest version -

Order No.: 5LR610D4OB11AF | GTIN (EAN): 4058352125915

Detailed technical description: Lun11R,rec4860lm840,DAML



Key data

- Product type: downlight
- Product name: Lunis 11 R
- Order No.: 5LR610D4OB11AF

Lighting technology | Lamps | Control gear

Component 1

Lighting technology:

- Light control: reflector of ultra-pure aluminium (Al 99.98%), highly specular, perforated
- Beam angle: wide distribution
- Symmetry: symmetric
- Light emission: direct distribution

Lamps:

- Lamps: with LED
- Rated luminous flux: 4860lm
- Luminous efficacy: 131lm/W
- Colour temperature: 4000K
- Colour rendering index: CRI > 80
- Light colour: 840
- Rated input power: 37W

Operating device:

- Control gear: ECG Multilumen
- Control: DALI Multilumen

Certificates, Standards

- Protection rating: IP20
- Protection rating (lamp compartment, on room side): IP23
- Insulation class: insulation class II (safety insulation)
- Protection symbol: F
- Temperature range (operation): +10..+35°C
- Standard: EN 50419
- Certification, designation: CE, ENEC, VDE

Material, Colour

- central ring: plastic, graphite (RAL 7037)
- Quantity: 1 piece
- Colour specification: graphite (RAL 7037)
- central module, blanking cover: sheet steel, perforated, metallic grey (RAL 9006)
- Quantity: 1 piece
- Colour specification: metallic grey (RAL 9006)

Mounting

- Mounting method, mounting location: recessed, in the ceiling
- Ø of ceiling cut-out: 380mm

Electrical connection

- Connection: terminal, 3+2-pole, max. 2.5mm²
- Nominal voltage: 230V, 230..240V, 50/60Hz, AC

Dimensions, Weight

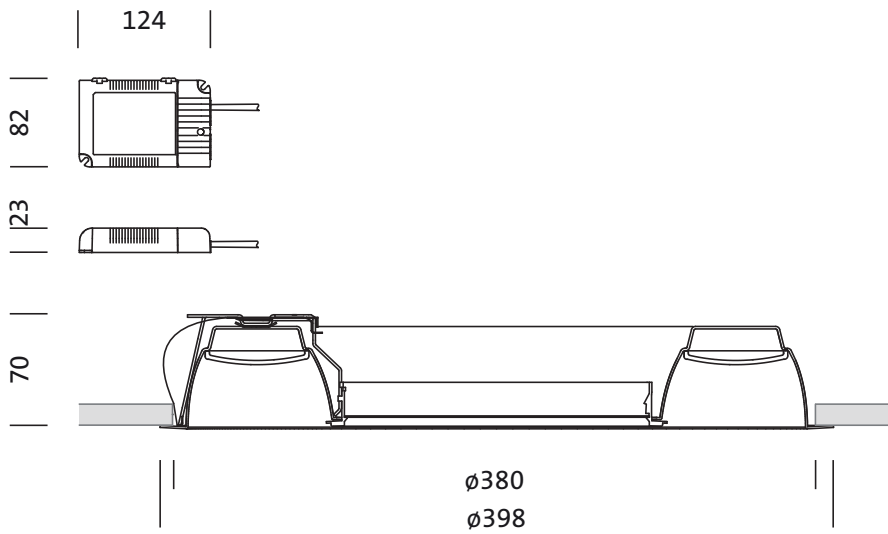
- Diameter: 398mm
- Weight: 1.9kg

Service life

- Rated service life: 50000h (L90/B50) at AT = 25°C

Order No.: 5LR610D4OB11AF | GTIN (EAN): 4058352125915

Dimensions: Lun11R,rec4860lm840,DAML



It is mandatory that the assembly instructions must be observed when planning and installing the electrical installation (to be found at www.siteco.de)

Tolerances related to thermal, electrical and photometric data according to IEC 62722

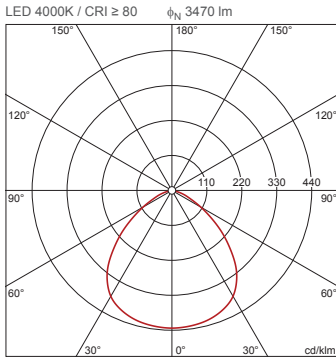
Issued 19.01.2024 - Modifications and errors subject to change - Ensure that you always use the latest version -

Order No.: 5LR610D4OB11AF | GTIN (EAN): 4058352125915

Planning data: Lun11R,rec4860lm840,DAML

**5LR610D4OB11AF: 1x LED
4000K / CRI ≥ 80; individual
setting: Low Lumen Output**

4058352125915
5LR610D4OB11AF



I_{max} 433 cd/klm at γ 0°

Luminance values (cd/m²)

	C 0/180
L ₈₀	1762
L ₇₀	6002
L ₆₅	7422

$\alpha_{50\%}$ 2 x 49.0°
 $\alpha_{10\%}$ 2 x 70.2°

UGR 22 22
X 4H Y 8H ρ 70/50/20 S 0.25H

H(m)	ϕ (m)	$E_{max}(lx)$	$E_m(lx)$
2	4.60	376	218
3	6.90	167	97
4	9.20	94	55
5	11.50	60	35
6	13.80	42	24

No. of luminaires in room
Reflection factors 70/50/20

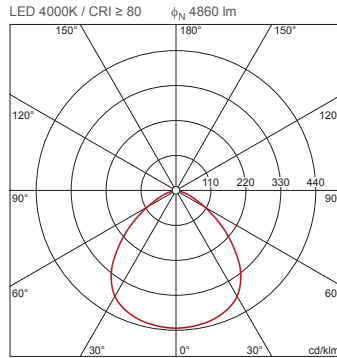
$E_m(lx)$	100	200	500			
Lh(m)	2.5	3.0	2.5	3.0	2.5	3.0
20 m ²	0.8	0.9	1.6	1.8	3.9	4.5
30 m ²	1.2	1.3	2.4	2.7	5.9	6.7
40 m ²	1.5	1.7	3.1	3.4	7.7	8.5
50 m ²	1.8	2.0	3.7	4.0	9.2	10
75 m ²	2.7	2.9	5.4	5.8	14	15
100 m ²	3.5	3.8	7.1	7.5	18	19
500 m ²	17	17	33	34	83	85

Maintenance factor 0.8

Rh = Lh

**5LR610D4OB11AF: 1x LED
4000K / CRI ≥ 80; factory
setting: High Lumen Output**

4058352125915
5LR610D4OB11AF



I_{max} 433 cd/klm at γ 0°

Luminance values (cd/m²)

	C 0/180
L ₈₀	2468
L ₇₀	8406
L ₆₅	10395

$\alpha_{50\%}$ 2 x 49.0°
 $\alpha_{10\%}$ 2 x 70.2°

UGR 23.2 23.2
X 4H Y 8H ρ 70/50/20 S 0.25H

H(m)	ϕ (m)	$E_{max}(lx)$	$E_m(lx)$
2	4.60	527	306
3	6.90	234	136
4	9.20	132	76
5	11.50	84	49
6	13.80	59	34

No. of luminaires in room
Reflection factors 70/50/20

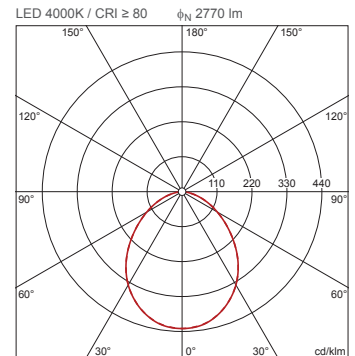
$E_m(lx)$	100	200	500			
Lh(m)	2.5	3.0	2.5	3.0	2.5	3.0
20 m ²	0.6	0.6	1.1	1.3	2.8	3.2
30 m ²	0.8	1.0	1.7	1.9	4.2	4.8
40 m ²	1.1	1.2	2.2	2.4	5.5	6.0
50 m ²	1.3	1.4	2.6	2.9	6.6	7.2
75 m ²	1.9	2.1	3.9	4.2	9.7	10
100 m ²	2.5	2.7	5.0	5.4	13	13
500 m ²	12	12	24	24	59	61

Maintenance factor 0.8

Rh = Lh

**5LR610D4OB11AF +
5LR94685EE: 1x LED 4000K /
CRI ≥ 80; individual setting:
Low Lumen Output**

4058352125915 + 4039806161208
5LR610D4OB11AF + 5LR94685EE



I_{max} 431 cd/klm at γ 0°

Luminance values (cd/m²)

	C 0/180
L ₈₀	5524
L ₇₀	7759
L ₆₅	8657

$\alpha_{50\%}$ 2 x 47.5°
 $\alpha_{10\%}$ 2 x 75.9°

UGR 23.4 23.4
X 4H Y 8H ρ 70/50/20 S 0.25H

No. of luminaires in room
Reflection factors 70/50/20

$E_m(lx)$	100	200	500			
Lh(m)	2.5	3.0	2.5	3.0	2.5	3.0
20 m ²	1.0	1.2	2.1	2.4	5.1	5.9
30 m ²	1.6	1.7	3.1	3.5	7.8	8.7
40 m ²	2.0	2.2	4.0	4.4	10.0	11
50 m ²	2.4	2.6	4.8	5.3	12	13
75 m ²	3.5	3.8	7.0	7.6	18	19
100 m ²	4.5	4.9	9.1	9.7	23	24
500 m ²	21	22	42	43	105	108

Maintenance factor 0.8

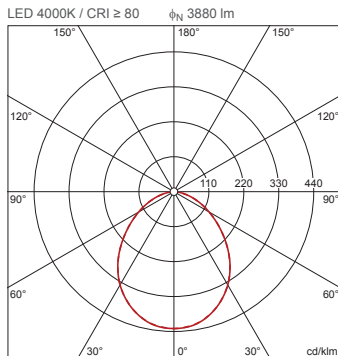
Rh = Lh

Order No.: 5LR610D4OB11AF | **GTIN (EAN):** 4058352125915

Planning data: Lun11R,rec4860lm840,DAML

**5LR610D4OB11AF +
5LR94685EE: 1x LED 4000K /
CRI ≥ 80; factory setting:
High Lumen Output**

4058352125915 + 4039806161208
5LR610D4OB11AF + 5LR94685EE



I_{max} 431 cd/klm at γ 0°

Luminance values (cd/m²)

C 0/180
L₈₀ 7737
L₇₀ 10868
L₆₅ 12127

$\alpha_{50\%}$ 2 x 47.5°
 $\alpha_{10\%}$ 2 x 75.9°

UGR 24.5 24.6
X 4H Y 8H ρ 70/50/20 S 0.25H

No. of luminaires in room
Reflection factors 70/50/20

Em(x)	100		200		500			
	Lh(m)	20 m ²	30 m ²	40 m ²	50 m ²	75 m ²	100 m ²	500 m ²
2.5	0.7	1.1	1.4	1.7	2.5	3.2	15	15
3.0	0.8	1.2	1.6	1.9	2.7	3.5	15	15
2.5	1.5	2.2	2.8	3.4	5.0	6.5	30	31
3.0	1.7	2.5	3.2	3.8	5.4	6.9	31	31
2.5	3.7	5.6	7.1	8.6	13	16	75	75
3.0	4.2	6.2	7.9	9.4	14	17	75	75

Maintenance factor 0.8 Rh = Lh

It is mandatory that the assembly instructions must be observed when planning and installing the electrical installation (to be found at www.siteco.de)
Tolerances related to thermal, electrical and photometric data according to IEC 62722
Issued 19.01.2024 - Modifications and errors subject to change - Ensure that you always use the latest version -