

Order No.: 59US1HXSPC5A | **GTIN (EAN):** 4058352363942

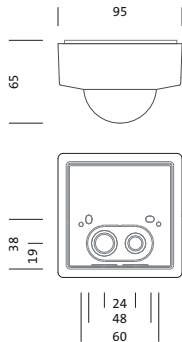
Product description: SConSHead,SensHdPC5S,lOkCtrlcentCtrl



Siteco Connect Sensor-HeadSensor-Head PC5-S, slave, local control, central control, dimmable, installation type: slip-in mounting, installation location: on interface, of plastic, protection rating (complete): IP54, certification: CE, VDE, 1 x PIR movement sensor, 1 x light sensor, packaging unit: 1 piece

 IP 54 

Wt. (kg): 0.1
GTIN (EAN): 4058352363942



Order No.: 59US1HXSPC5A | **GTIN (EAN):** 4058352363942

Detailed technical description: SConSHead,SensHdPC5S,lokCtrlcentCtrl



Key data

- System family: Siteco Connect 11, DALI-2, SITECO Connect, SITECO Connect 22
- Product type: sensor
- Product name: Siteco Connect Sensor-Head
- Order No.: 59US1HXSPC5A

Lighting technology | Lamps | Control gear

Component 1

Operating device:

- Control: DALI 2, dimmable

Certificates, Standards

- Protection rating: IP54
- Temperature range (operation): -20..+50°C
- Certification, designation: CE, VDE

Material, Colour

- housing: plastic, white
- Colour specification: white

Mounting

- Mounting method, mounting location: slip-in mounting, on interface
- Mounting height: 4..14m

Dimensions, Weight

- Length: 95mm
- Width: 95mm
- Height: 65mm
- Weight: 0.1kg

Inputs

1x PIR movement sensor

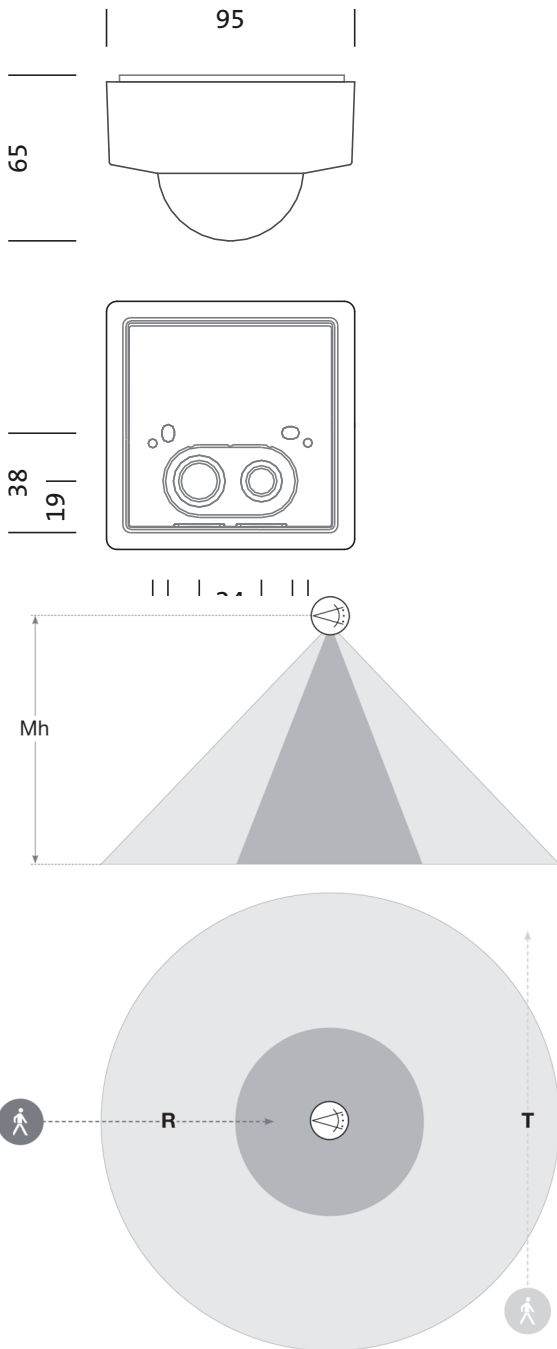
- Connection: system connector
- Detection range: D max. 36m
- Option: 11 detection levels, 1416 switching zones
- Feature: detection range can be limited with shield, circular detection area

1x light sensor

- Feature: light sensor with 'local control' without function

Order No.: 59US1HXSPC5A | GTIN (EAN): 4058352363942

Dimensions: SConSHead,SensHdPC5S,lOkCtrlcentCtrl



Sensor Head PC5

Mh	R	T
14m	ø = 16,3m	ø = 40m
12m	ø = 16,3m	ø = 40m
10m	ø = 15,6m	ø = 40m
8m	ø = 14,3m	ø = 40m
6m	ø = 12,0m	ø = 40m
4m	ø = 10,0m	ø = 40m

It is mandatory that the assembly instructions must be observed when planning and installing the electrical installation (to be found at www.siteco.de)
 Tolerances related to thermal, electrical and photometric data according to IEC 62722
 Issued 05.01.2024 - Modifications and errors subject to change - Ensure that you always use the latest version -