

**Order No.:** 59US1HXMPR1A | **GTIN (EAN):** 4058352363850

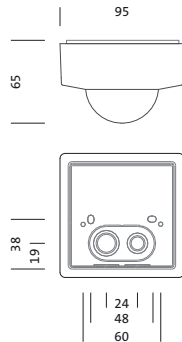
**Product description:** SConSHead,SensHdPR1M,lokCtrl,PIR-sens



Siteco Connect Sensor-HeadSensor-Head PR1-M, master, local control, switchable, dimmable, installation type: slip-in mounting, installation location: on interface, of plastic, protection rating (complete): IP54, certification: CE, VDE, 1 x PIR movement sensor, 1 x light sensor, 1 x IR receiver, packaging unit: 1 piece



Wt. (kg): 0.1  
GTIN (EAN): 4058352363850



Order No.: 59US1HXMPR1A | GTIN (EAN): 4058352363850

Detailed technical description: SConSHead,SensHdPR1M,IokCtrl,PIR-sens



#### Key data

- System family: SITECO Connect
- Product type: sensor
- Product name: Siteco Connect Sensor-Head
- Order No.: 59US1HXMPR1A

#### Certificates, Standards

- Protection rating: IP54
- Temperature range (operation): -20..+50°C
- Certification, designation: CE, VDE

#### Material, Colour

- housing: plastic, white
- Colour specification: white

#### Mounting

- Mounting method, mounting location: slip-in mounting, on interface
- Mounting height: 2.5..5m

#### Dimensions, Weight

- Length: 95mm
- Width: 95mm
- Height: 65mm
- Weight: 0.1kg

#### Inputs

##### 1x PIR movement sensor

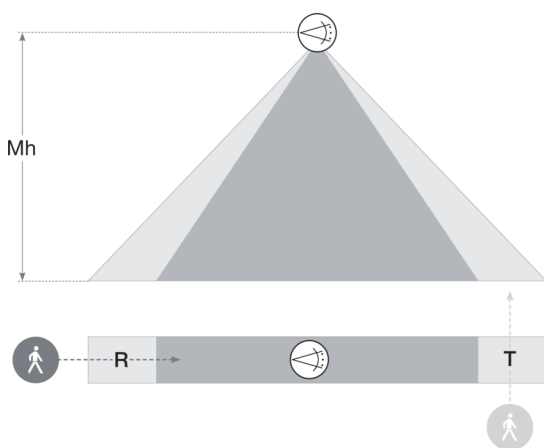
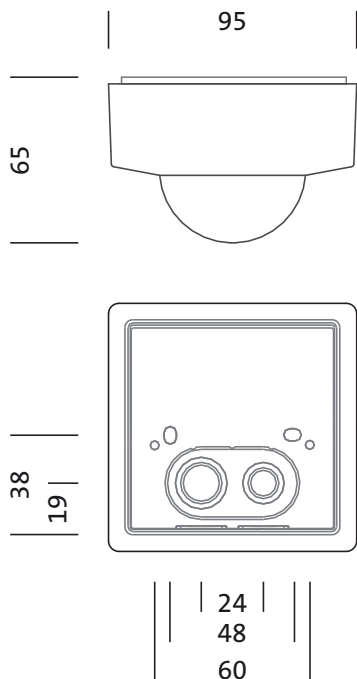
- Connection: system connector
- Detection range: max. 23x6m
- Option: 5 detection levels, 280 switching zones
- Feature: detection range can be limited with shield, rectangular detection area

##### 1x IR receiver

- Feature: IR receiver for programming with Smart Remote

Order No.: 59US1HXMPR1A | GTIN (EAN): 4058352363850

Dimensions: SConSHead,SensHdPR1M,lokCtrl,PIR-sens



## Sensor Head PR1

Mh	R	T
2,5m	14 x 4m	20 x 4m
3,5m	14 x 4m	20 x 4m

It is mandatory that the assembly instructions must be observed when planning and installing the electrical installation (to be found at [www.siteco.de](http://www.siteco.de))  
Tolerances related to thermal, electrical and photometric data according to IEC 62722  
Issued 05.01.2024 - Modifications and errors subject to change - Ensure that you always use the latest version -