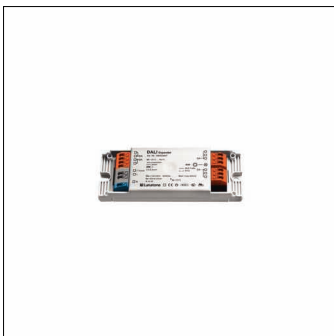


Order No.: 5LZ980302 | GTIN (EAN): 4058352405918

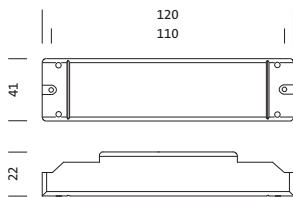
Product description: SConWi, repea, lokCtrlcentCtrl



SITECO Connect Wirelessrepeater, master, local control, central control, dimmable, installation type: recessed, installation location: in the luminaire, of plastic, voltage: 230V, voltage type: AC, 1 x DALI, 1 x DALI, protection rating (complete): IP20, insulation class (complete): insulation class II (safety insulation), certification: CE, packaging unit: 1 piece

IP 20  

Wt. (kg): 0.1
GTIN (EAN): 4058352405918



Order No.: 5LZ980302 | GTIN (EAN): 4058352405918

Detailed technical description: SConWi, repea, lokCtrlcentCtrl



Key data

- System family: SITECO Connect 31 Wireless
- Product type: lighting management components
- Product name: SITECO Connect Wireless
- Order No.: 5LZ980302

Lighting technology | Lamps | Control gear

Component 1

Operating device:

- Control: DALI, dimmable

Certificates, Standards

- Protection rating: IP20
- Insulation class: insulation class II (safety insulation)
- Temperature range (operation): -20..+60°C
- Certification, designation: CE

Material, Colour

- housing: plastic, white
- Colour specification: white

Mounting

- Mounting method, mounting location: recessed, in the luminaire
- Supplement: only for mounting indoors

Electrical connection

- Nominal voltage: 230V, 50Hz, AC

Dimensions, Weight

- Weight: 0.1kg

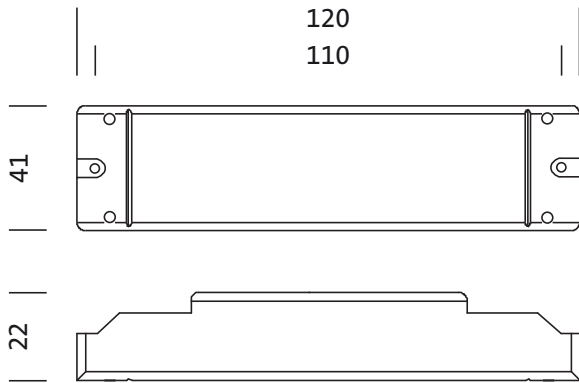
Outputs

1x DALI

- Limiting: maximum 64x ECG DALI or 64x ECG DALI DT8 controllable

Order No.: 5LZ980302 | GTIN (EAN): 4058352405918

Dimensions: SConWi, repea, lokCtrlcentCtrl



It is mandatory that the assembly instructions must be observed when planning and installing the electrical installation (to be found at www.siteco.de)
Tolerances related to thermal, electrical and photometric data according to IEC 62722
Issued 22.12.2023 - Modifications and errors subject to change - Ensure that you always use the latest version -