

**Order No.:** 51DH11B72FF22 | **GTIN (EAN):** 4058352107263

**Product description:** Lun11mnRdSp,rec,nrrw,1990lm830,0/1,5p,sr



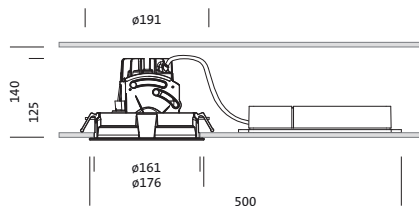
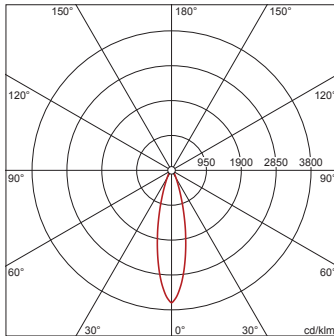
Lunis 11 mini round, Spot, downlight, LED rated luminous flux: 1.990lm, light colour: 830, with terminal, 5-pole, mains connection: 220..230V, AC, 50/60Hz, LED module, luminaire module, of diecast aluminium, coated, silver, diameter: 176mm, clamping range: 1..40mm, recessing ring, round, of PC, traffic white (RAL 9016), protection rating (complete): IP20, insulation class (complete): insulation class II (safety insulation), certification: CE, permissible ambient temperature for indoor applications: 0..+35°C, packaging unit: 1 piece

IP 20  

Lamps: LED  
 Wt. (kg): 0.7  
 GTIN (EAN): 4058352107263

4058352107263  
 51DH11B72FF22

LED 3000K / CRI ≥ 80  $\phi_{\text{N}}$  1990 lm



It is mandatory that the assembly instructions must be observed when planning and installing the electrical installation (to be found at [www.siteco.de](http://www.siteco.de))

Tolerances related to thermal, electrical and photometric data according to IEC 62722

Issued 25.02.2023 - Modifications and errors subject to change - Ensure that you always use the latest version -

Order No.: 51DH11B72FF22 | GTIN (EAN): 4058352107263

Detailed technical description: Lun11mnRdSp,rec,nrrw,1990lm830,0/1,5p,sr



#### Key data

- Product type: downlight
- Product name: Lunis 11 mini round Spot
- Order No.: 51DH11B72FF22

#### Lighting technology | Lamps | Control gear

#### Component 1

#### Lighting technology:

- Beam angle: narrow distribution
- UGR viewing direction along lateral luminaire axis:  $\leq 19$

#### Lamps:

- Lamps: with LED
- Rated luminous flux: 1990lm
- Luminous efficacy: 104lm/W
- Colour temperature: 3000K
- Colour rendering index: CRI > 80
- Light colour: 830
- SDCM (Standard Deviation of Colour Matching): MacAdam  $\leq 3$  SDCM (initial)
- Rated input power: 19W

#### Operating device:

- Control: ON/OFF

#### Certificates, Standards

- Protection rating: IP20
- Insulation class: insulation class II (safety insulation)
- Temperature range (operation): 0..+35°C
- Certification, designation: CE

#### Material, Colour

- LED module: diecast aluminium, coated, silver
- luminaire module: diecast aluminium, coated, silver
- Colour specification: silver
- recessing ring: PC, traffic white (RAL 9016), round
- Colour specification: traffic white (RAL 9016)

#### Mounting

- Mounting method, mounting location: recessed, in the ceiling
- $\varnothing$  of ceiling cut-out: 162mm
- Clamping range: 1..40mm
- Arrangement: single arrangement

#### Electrical connection

- Connection: terminal, 5-pole
- Nominal voltage: 220..230V, 50/60Hz, AC

#### Dimensions, Weight

- Diameter: 176mm
- Height: 125mm
- Weight: 0.7kg

#### Service life

- Rated service life: 50000h (L85/B50) at AT = 25°C

Order No.: 51DH11B72FF22 | GTIN (EAN): 4058352107263

Dimensions: Lun11mnRdSp,rec,nrrw,1990lm830,0/1,5p,sr



It is mandatory that the assembly instructions must be observed when planning and installing the electrical installation (to be found at [www.siteco.de](http://www.siteco.de))

Tolerances related to thermal, electrical and photometric data according to IEC 62722

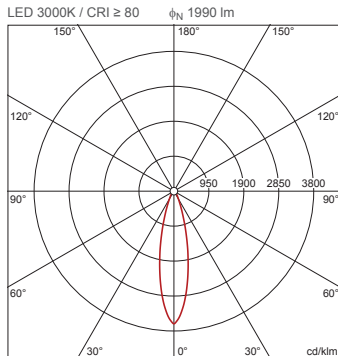
Issued 25.02.2023 - Modifications and errors subject to change - Ensure that you always use the latest version -

Order No.: 51DH11B72FF22 | GTIN (EAN): 4058352107263

Planning data: Lun11mnRdSp,rec,nrrw,1990lm830,0/1,5p,sr

**51DH11B72FF22: 1x LED  
3000K / CRI ≥ 80**

4058352107263  
51DH11B72FF22



$I_{max}$  3605 cd/klm at  $\gamma$  0°

Luminance values (cd/m<sup>2</sup>)

	C 0/180
L80	0
L70	0
L65	0

UGR 13.6 13.6  
X 4H Y 8H  $\rho$  70/50/20 S 0.25H

H(m)	$\phi$ (m)	$E_{max}$ (lx)	$E_m$ (lx)
2	0.87	1793	1373
3	1.31	797	610
4	1.74	448	343
5	2.18	287	220
6	2.62	199	153

No. of luminaires in room  
Reflection factors 70/50/20

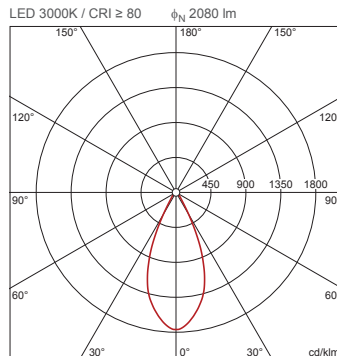
$E_m$ (lx)	100	200	500
Lh(m)	2.5 3.0	2.5 3.0	2.5 3.0
20 m <sup>2</sup>	0.9 1.1	1.9 2.2	4.7 5.4
30 m <sup>2</sup>	2.5 2.2	5.1 4.4	13 11
40 m <sup>2</sup>	2.7 2.6	5.5 5.1	14 13
50 m <sup>2</sup>	3.6 3.3	7.2 6.5	18 16
75 m <sup>2</sup>	6.0 5.2	12 10	30 26
100 m <sup>2</sup>	6.8 6.2	14 12	34 31
500 m <sup>2</sup>	32 30	64 59	161 148

Maintenance factor 0.8

Rh = Lh

**51DH11B72FF22 +  
59DL1L0000G0000D0: 1x  
LED 3000K / CRI ≥ 80**

4058352107263 + 4058352030165  
51DH11B72FF22 + 59DL1L0000G0000D0



$I_{max}$  1764 cd/klm at  $\gamma$  0°

Luminance values (cd/m<sup>2</sup>)

	C 0/180
L80	0
L70	0
L65	0

UGR 13.5 13.5  
X 4H Y 8H  $\rho$  70/50/20 S 0.25H

H(m)	$\phi$ (m)	$E_{max}$ (lx)	$E_m$ (lx)
2	1.66	918	692
3	2.49	408	308
4	3.31	229	173
5	4.14	147	111
6	4.97	102	77

No. of luminaires in room

Reflection factors 70/50/20					
$E_m$ (lx)	100	200	500		
Lh(m)	2.5 3.0	2.5 3.0	2.5 3.0		
20 m <sup>2</sup>	1.1 1.2	2.2 2.4	5.4 5.9		
30 m <sup>2</sup>	1.8 1.7	3.6 3.3	9.0 8.3		
40 m <sup>2</sup>	2.2 2.3	4.4 4.5	11 11		
50 m <sup>2</sup>	2.8 2.8	5.6 5.6	14 14		
75 m <sup>2</sup>	4.4 4.0	8.7 8.1	22 20		
100 m <sup>2</sup>	5.4 5.5	11 11	27 27		
500 m <sup>2</sup>	26 27	53 53	131 133		

Maintenance factor 0.8

Rh = Lh

It is mandatory that the assembly instructions must be observed when planning and installing the electrical installation (to be found at [www.siteco.de](http://www.siteco.de))

Tolerances related to thermal, electrical and photometric data according to IEC 62722

Issued 25.02.2023 - Modifications and errors subject to change - Ensure that you always use the latest version -