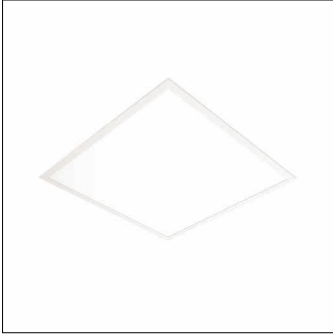


**Order No.:** 51MH11W72422 | **GTIN (EAN):** 4058352396803

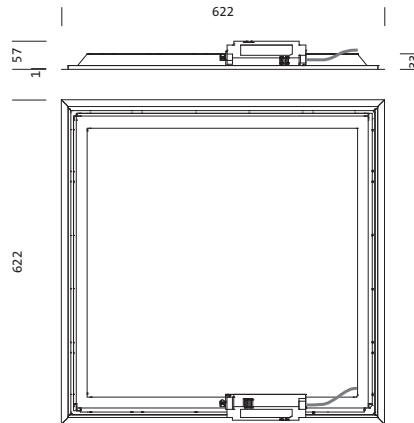
**Product description:** Apol41,M625,3700lm840,0/1,IP40,1pc



Apollon® 41, office luminaire, primary optical cover: prismatic diffuser, of PS, light emission: direct distribution, primary light characteristic: symmetric, installation type: lay-in mounting, LED, rated luminous flux: 3.700lm, luminous efficacy: 105lm/W, light colour: 840, colour temperature: 4000K, control gear: ECG, with terminal, 3-pole, mains connection: 220..240V, AC, 50/60Hz, rated input power: 35W, housing, of aluminium section, traffic white (RAL 9016), module: M625, length: 620mm, width: 620mm, height: 32mm, housing upper side, of sheet steel, protection rating (complete): IP20, protection rating (lamp compartment, on room side): IP40, insulation class (complete): insulation class II (safety insulation), certification: CE, ENEC, permissible operating ambient temperature: -20..+40°C, packaging unit: 1 piece



Lamps:	LED
Wt. (kg):	2.1
GTIN (EAN):	4058352396803



Order No.: 51MH11W72422 | GTIN (EAN): 4058352396803

Detailed technical description: Apol41,M625,3700lm840,0/1,IP40,1pc



#### Key data

- Product type: office luminaire
- Product name: Apollon® 41
- Order No.: 51MH11W72422

#### Lighting technology | Lamps | Control gear

#### Component 1

#### Lighting technology:

- Cover: prismatic diffuser
- Beam angle: wide distribution, 90°
- Symmetry: symmetric
- Light emission: direct distribution
- UGR viewing direction along longitudinal luminaire axis: ≤ 19
- UGR viewing direction along lateral luminaire axis: ≤ 19

#### Lamps:

- Lamps: with LED
- Rated luminous flux: 3700lm
- Luminous efficacy: 105lm/W
- Colour temperature: 4000K
- Colour rendering index: CRI > 80
- Light colour: 840
- SDCM (Standard Deviation of Colour Matching): MacAdam ≤ 4 SDCM (initial)
- Rated input power: 35W

#### Operating device:

- Control gear: ECG
- Control: ON/OFF

#### Certificates, Standards

- Protection rating: IP20
- Protection rating (lamp compartment, on room side): IP40
- Insulation class: insulation class II (safety insulation)
- Temperature range (operation): - 20..+40°C
- Certification, designation: CE, ENEC

#### Material, Colour

- housing: aluminium section, traffic white (RAL 9016)
- Colour specification: traffic white (RAL 9016)
- housing upper side: sheet steel
- Cover: prismatic diffuser of PS

#### Mounting

- Mounting method, mounting location: lay-in mounting, in the ceiling
- Arrangement: single arrangement

#### Electrical connection

- Connection: terminal, 3-pole
- Nominal voltage: 220..240V, 50/60Hz, AC

#### Dimensions, Weight

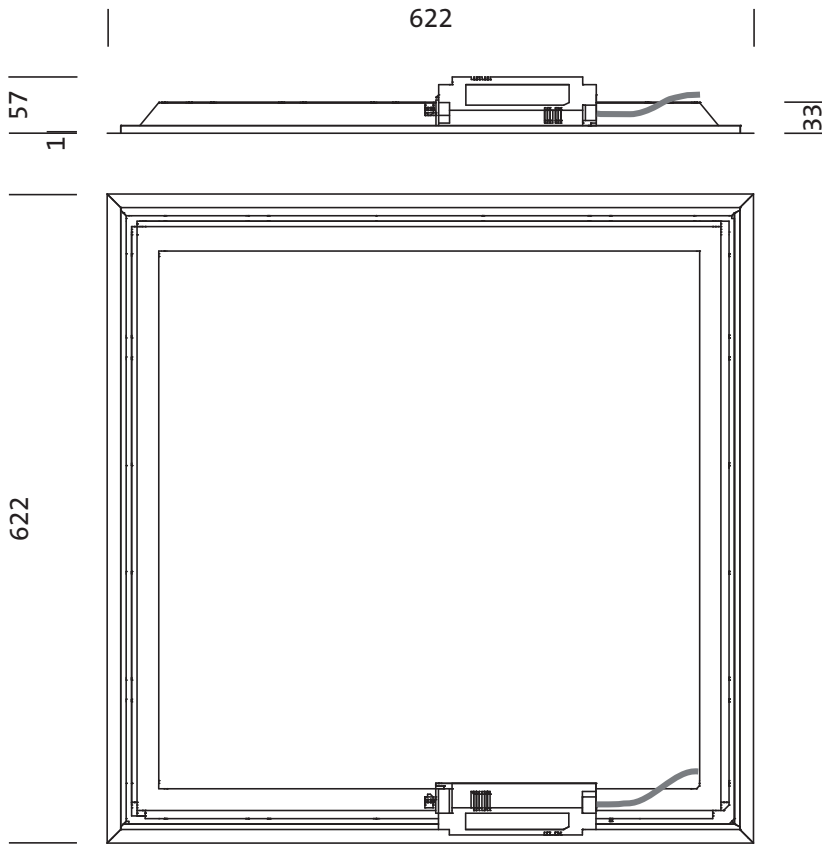
- Length: 620mm
- Width: 620mm
- Height: 32mm
- Weight: 2.1kg

#### Service life

- Rated service life: 50000h (L70/B50) at AT = 25°C

Order No.: 51MH11W72422 | GTIN (EAN): 4058352396803

Dimensions: Apol41,M625,3700lm840,0/1,IP40,1pc



It is mandatory that the assembly instructions must be observed when planning and installing the electrical installation (to be found at [www.siteco.de](http://www.siteco.de))  
Tolerances related to thermal, electrical and photometric data according to IEC 62722  
Issued 02.02.2024 - Modifications and errors subject to change - Ensure that you always use the latest version -

Order No.: 51MH11W72422 | GTIN (EAN): 4058352396803

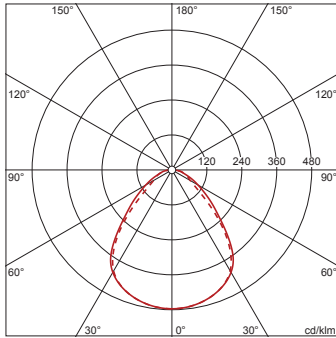
Planning data: Apol41,M625,3700lm840,0/1,IP40,1pc

**51MH11W72422: 1x LED**

4058352396803

51MH11W72422

LED 4000 K | CRI ≥ 80  $\phi_{\text{N}}$  3700 lm



$\phi_{\text{d}}$  100%  $\phi_{\text{r}}$  0%

Luminance values (cd/m<sup>2</sup>)

	C 0/180	C 90/270
L <sub>80</sub>	2121	2113
L <sub>70</sub>	1934	1825
L <sub>65</sub>	2211	1768

UGR 18.4 18.4

X 4H Y 8H  $\rho$  70/50/20 S 0.25H

It is mandatory that the assembly instructions must be observed when planning and installing the electrical installation (to be found at [www.siteco.de](http://www.siteco.de))

Tolerances related to thermal, electrical and photometric data according to IEC 62722

Issued 02.02.2024 - Modifications and errors subject to change - Ensure that you always use the latest version -