

Order No.: 51DJ11B71WN21 | **GTIN (EAN):** 4058352131695

Product description: Lun11mcRd,rec,spec,1210lm940,0/1,3p,wh

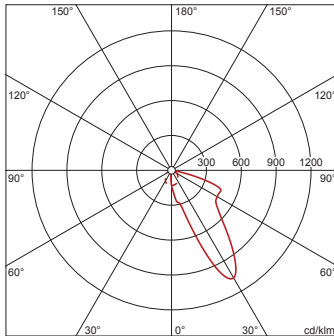


Lunis 11 micro round, downlight, light control with wallwasher, of highly reflective aluminium, highly specular, light emission: direct distribution, LED rated luminous flux: 1.210lm, light colour: 940, with terminal, 3-pole, mains connection: 220..230V, AC, 50/60Hz, LED module, of aluminium, highly specular, white, diameter: 114mm, clamping range: 1..40mm, recessing ring, of plastic, traffic white (RAL 9016), protection rating (complete): IP20, insulation class (complete): insulation class II (safety insulation), certification: CE, permissible ambient temperature for indoor applications: 0..+35°C, packaging unit: 1 piece

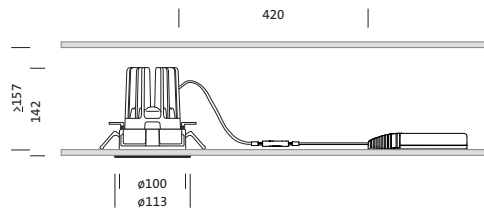
IP 20  

4058352131695
51DJ11B71WN21

LED 4000K / CRI ≥ 90 Φ_N 1210 lm



Lamps: LED
Wt. (kg): 0.5
GTIN (EAN): 4058352131695



It is mandatory that the assembly instructions must be observed when planning and installing the electrical installation (to be found at www.siteco.de)

Tolerances related to thermal, electrical and photometric data according to IEC 62722

Issued 25.02.2023 - Modifications and errors subject to change - Ensure that you always use the latest version -

Order No.: 51DJ11B71WN21 | **GTIN (EAN):** 4058352131695

Detailed technical description: Lun11mcRd,rec,spec,1210lm940,0/1,3p,wh



Key data

- Product type: downlight
- Product name: Lunis 11 micro round
- Order No.: 51DJ11B71WN21

Lighting technology | Lamps | Control gear

Component 1

Lighting technology:

- Light control: wallwasher of highly reflective aluminium, highly specular
- Symmetry: asymmetric distribution
- Light emission: direct distribution

Lamps:

- Lamps: with High Power LED, LED
- Rated luminous flux: 1210lm
- Luminous efficacy: 61lm/W
- Colour temperature: 4000K
- Colour rendering index: CRI > 90
- Light colour: 940
- SDCM (Standard Deviation of Colour Matching): MacAdam \leq 3 SDCM (initial)
- Rated input power: 20W

Operating device:

- Control: ON/OFF

Certificates, Standards

- Protection rating: IP20
- Insulation class: insulation class II (safety insulation)
- Temperature range (operation): 0..+35°C
- Certification, designation: CE

Material, Colour

- LED module: aluminium, highly specular, white
- Colour specification: white
- recessing ring: plastic, traffic white (RAL 9016)
- Colour specification: traffic white (RAL 9016)

Mounting

- Mounting method, mounting location: recessed, in the ceiling
- \varnothing of ceiling cut-out: 100mm
- Clamping range: 1..40mm
- Arrangement: single arrangement

Electrical connection

- Connection: terminal, 3-pole
- Nominal voltage: 220..230V, 50/60Hz, AC

Dimensions, Weight

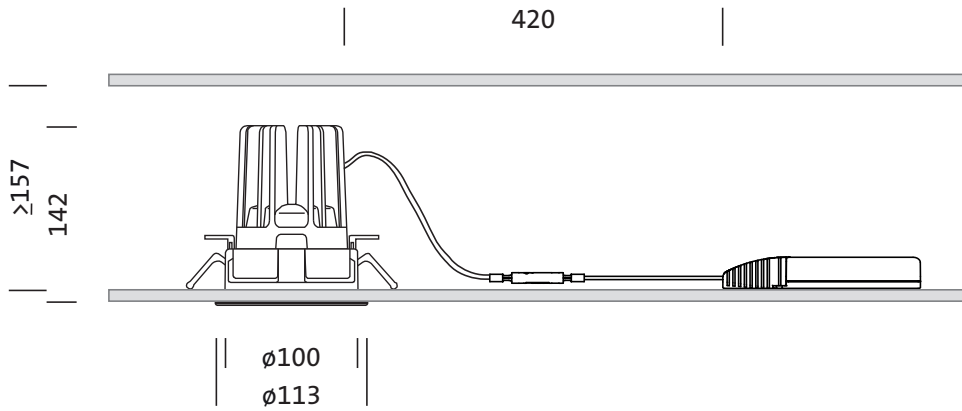
- Diameter: 114mm
- Height: 144mm
- Weight: 0.5kg

Service life

- Rated service life: 50000h (L85/B50) at AT = 25°C

Order No.: 51DJ11B71WN21 | GTIN (EAN): 4058352131695

Dimensions: Lun11mcRd,rec,spec,1210lm940,0/1,3p,wh



It is mandatory that the assembly instructions must be observed when planning and installing the electrical installation (to be found at www.siteco.de)

Tolerances related to thermal, electrical and photometric data according to IEC 62722

Issued 25.02.2023 - Modifications and errors subject to change - Ensure that you always use the latest version -

Order No.: 51DJ11B71WN21 | **GTIN (EAN):** 4058352131695

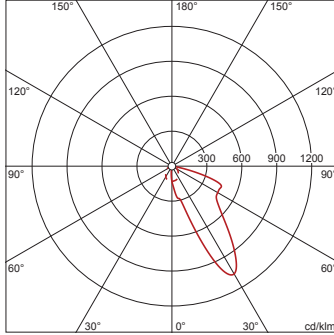
Planning data: Lun11mcRd,rec,spec,1210lm940,0/1,3p,wh

51DJ11B71WN21: 1x LED
4000K / CRI ≥ 90

4058352131695

51DJ11B71WN21

LED 4000K / CRI ≥ 90 Φ_N 1210 lm



I_{max} 1068 cd/klm at γ 30°

Luminance values (cd/m²)

C 0/180
 L80 196862
 L70 830615
 L65 702886

UGR 43 35
 X 4H Y 8H ρ 70/50/20 S 0.25H

No. of luminaires in room

Reflection factors 70/50/20

| Em(lx) | 100 | | 200 | | 500 | |
|--------------------|-----|-----|-----|-----|-----|-----|
| Lh(m) | 2.5 | 3.0 | 2.5 | 3.0 | 2.5 | 3.0 |
| 20 m ² | 2.6 | 2.8 | 5.2 | 5.6 | 13 | 14 |
| 30 m ² | 4.3 | 5.1 | 8.6 | 10 | 21 | 26 |
| 40 m ² | 4.8 | 5.7 | 9.7 | 11 | 24 | 28 |
| 50 m ² | 5.8 | 6.7 | 12 | 13 | 29 | 33 |
| 75 m ² | 9.0 | 10 | 18 | 21 | 45 | 52 |
| 100 m ² | 11 | 12 | 22 | 24 | 54 | 59 |
| 500 m ² | 49 | 51 | 98 | 102 | 244 | 254 |

Maintenance factor 0.8

Rh = Lh

It is mandatory that the assembly instructions must be observed when planning and installing the electrical installation (to be found at www.siteco.de)

Tolerances related to thermal, electrical and photometric data according to IEC 62722

Issued 25.02.2023 - Modifications and errors subject to change - Ensure that you always use the latest version -