

Order No.: 51DH11B71FF22 | **GTIN (EAN):** 4058352107256

Product description: Lun11mnRdSp,rec,nrrw,1020lm830,0/1,5p,sr



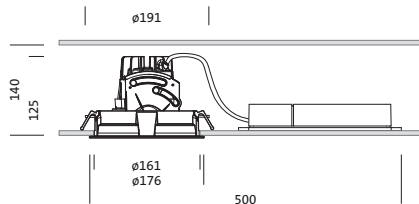
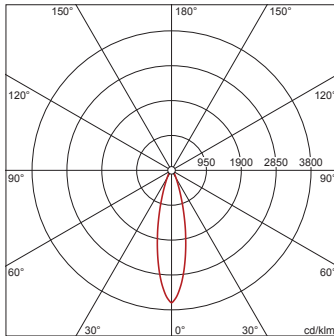
Lunis 11 mini round, Spot, downlight, LED rated luminous flux: 1.020lm, light colour: 830, with terminal, 5-pole, mains connection: 220..230V, AC, 50/60Hz, LED module, luminaire module, of diecast aluminium, coated, silver, diameter: 176mm, clamping range: 1..40mm, recessing ring, round, of PC, traffic white (RAL 9016), protection rating (complete): IP20, insulation class (complete): insulation class II (safety insulation), certification: CE, permissible ambient temperature for indoor applications: 0..+35°C, packaging unit: 1 piece

IP 20  

Lamps: LED
 Wt. (kg): 0.7
 GTIN (EAN): 4058352107256

4058352107256
 51DH11B71FF22

LED 3000K / CRI ≥ 80 ϕ_N 1020 lm



It is mandatory that the assembly instructions must be observed when planning and installing the electrical installation (to be found at www.siteco.de)

Tolerances related to thermal, electrical and photometric data according to IEC 62722

Issued 03.03.2023 - Modifications and errors subject to change - Ensure that you always use the latest version -

Order No.: 51DH11B71FF22 | GTIN (EAN): 4058352107256

Detailed technical description: Lun11mnRdSp,rec,nrrw,1020lm830,0/1,5p,sr



Key data

- Product type: downlight
- Product name: Lunis 11 mini round Spot
- Order No.: 51DH11B71FF22

Lighting technology | Lamps | Control gear

Component 1

Lighting technology:

- Beam angle: narrow distribution
- UGR viewing direction along lateral luminaire axis: ≤ 19

Lamps:

- Lamps: with High Power LED, LED
- Rated luminous flux: 1020lm
- Luminous efficacy: 99lm/W
- Colour temperature: 3000K
- Colour rendering index: CRI > 80
- Light colour: 830
- SDCM (Standard Deviation of Colour Matching): MacAdam ≤ 3 SDCM (initial)
- Rated input power: 10W

Operating device:

- Control: ON/OFF

Certificates, Standards

- Protection rating: IP20
- Insulation class: insulation class II (safety insulation)
- Temperature range (operation): 0..+35°C
- Certification, designation: CE

Material, Colour

- LED module: diecast aluminium, coated, silver
- luminaire module: diecast aluminium, coated, silver
- Colour specification: silver
- recessing ring: PC, traffic white (RAL 9016), round
- Colour specification: traffic white (RAL 9016)

Mounting

- Mounting method, mounting location: recessed, in the ceiling
- \varnothing of ceiling cut-out: 162mm
- Clamping range: 1..40mm
- Arrangement: single arrangement

Electrical connection

- Connection: terminal, 5-pole
- Nominal voltage: 220..230V, 50/60Hz, AC

Dimensions, Weight

- Diameter: 176mm
- Height: 125mm
- Weight: 0.7kg

Service life

- Rated service life: 50000h (L85/B50) at AT = 25°C

Order No.: 51DH11B71FF22 | GTIN (EAN): 4058352107256

Dimensions: Lun11mnRdSp,rec,nrrw,1020lm830,0/1,5p,sr



It is mandatory that the assembly instructions must be observed when planning and installing the electrical installation (to be found at www.siteco.de)

Tolerances related to thermal, electrical and photometric data according to IEC 62722

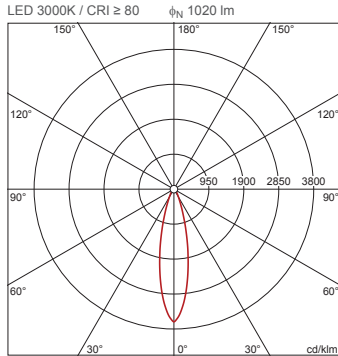
Issued 03.03.2023 - Modifications and errors subject to change - Ensure that you always use the latest version -

Order No.: 51DH11B71FF22 | GTIN (EAN): 4058352107256

Planning data: Lun11mnRdSp,rec,nrrw,1020lm830,0/1,5p,sr

**51DH11B71FF22: 1x LED
3000K / CRI ≥ 80**

4058352107256
51DH11B71FF22



I_{max} 3605 cd/klm at γ 0°

Luminance values (cd/m²)

	C 0/180
L80	0
L70	0
L65	0

UGR 11.3 11.3
X 4H Y 8H ρ 70/50/20 S 0.25H

H(m)	ϕ (m)	$E_{max}(lx)$	$E_m(lx)$
2	0.87	919	704
3	1.31	409	313
4	1.74	230	176
5	2.18	147	113
6	2.62	102	78

No. of luminaires in room
Reflection factors 70/50/20

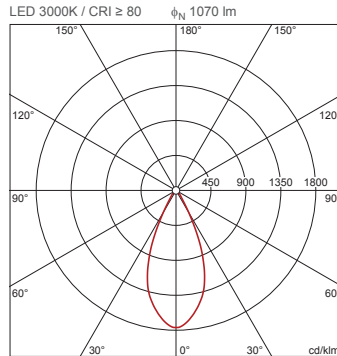
$E_m(lx)$	100		200		500	
Lh(m)	2.5	3.0	2.5	3.0	2.5	3.0
20 m ²	1.8	2.1	3.7	4.2	9.2	11
30 m ²	5.0	4.3	9.9	8.6	25	21
40 m ²	5.4	5.0	11	10.0	27	25
50 m ²	7.0	6.4	14	13	35	32
75 m ²	12	10	24	20	59	51
100 m ²	13	12	26	24	66	61
500 m ²	63	58	125	115	313	288

Maintenance factor 0.8

Rh = Lh

**51DH11B71FF22 +
59DL1L0000G0000D0: 1x
LED 3000K / CRI ≥ 80**

4058352107256 + 4058352030165
51DH11B71FF22 + 59DL1L0000G0000D0



I_{max} 1764 cd/klm at γ 0°

Luminance values (cd/m²)

	C 0/180
L80	0
L70	0
L65	0

UGR 11.2 11.2
X 4H Y 8H ρ 70/50/20 S 0.25H

H(m)	ϕ (m)	$E_{max}(lx)$	$E_m(lx)$
2	1.66	472	356
3	2.49	210	158
4	3.31	118	89
5	4.14	76	57
6	4.97	52	40

No. of luminaires in room

		Reflection factors 70/50/20					
$E_m(lx)$		100		200		500	
Lh(m)		2.5	3.0	2.5	3.0	2.5	3.0
20 m ²		2.1	2.3	4.2	4.6	11	12
30 m ²		3.5	3.2	7.0	6.5	17	16
40 m ²		4.3	4.4	8.6	8.8	22	22
50 m ²		5.5	5.4	11	11	27	27
75 m ²		8.5	7.8	17	16	42	39
100 m ²		11	11	21	21	53	53
500 m ²		51	52	102	103	255	258

Maintenance factor 0.8

Rh = Lh

It is mandatory that the assembly instructions must be observed when planning and installing the electrical installation (to be found at www.siteco.de)

Tolerances related to thermal, electrical and photometric data according to IEC 62722

Issued 03.03.2023 - Modifications and errors subject to change - Ensure that you always use the latest version -