

**Order No.:** 51DK11CD2WG21 | **GTIN (EAN):** 4058352105498

**Product description:** Lun11mnRd,rec,WW,spec,2470lm840,DA,5p,wh

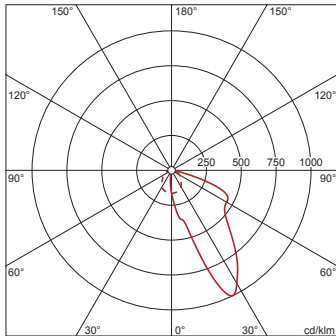


Lunis 11 mini round, downlight, light control with wallwasher, of highly reflective aluminium, highly specular, light emission: direct distribution, LED rated luminous flux: 2.470lm, light colour: 840, control gear: ECG, with terminal, 5-pole, mains connection: 220..230V, AC/DC, 0/50..60Hz, LED module, luminaire module, of aluminium, highly specular, white, diameter: 176mm, clamping range: 1..40mm, recessing ring, of plastic, traffic white (RAL 9016), protection rating (complete): IP20, insulation class (complete): insulation class II (safety insulation), certification: CE, permissible ambient temperature for indoor applications: 0..+35°C, packaging unit: 1 piece

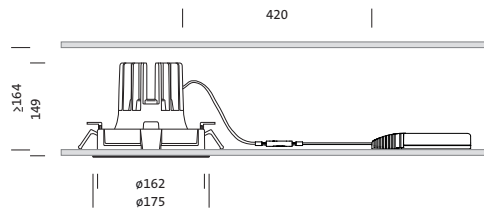
IP 20  

4058352105498  
51DK11CD2WG21

LED 4000K / CRI ≥ 80  $\Phi_{N}$  2470 lm



Lamps: LED  
Wt. (kg): 1.1  
GTIN (EAN): 4058352105498



It is mandatory that the assembly instructions must be observed when planning and installing the electrical installation (to be found at [www.siteco.de](http://www.siteco.de))

Tolerances related to thermal, electrical and photometric data according to IEC 62722

Issued 24.02.2023 - Modifications and errors subject to change - Ensure that you always use the latest version -

**Order No.:** 51DK11CD2WG21 | **GTIN (EAN):** 4058352105498

**Detailed technical description:** Lun11mnRd,rec,WW,spec,2470lm840,DA,5p,wh



#### Key data

- Product type: downlight
- Product name: Lunis 11 mini round
- Order No.: 51DK11CD2WG21

#### Lighting technology | Lamps | Control gear

##### Component 1

#### Lighting technology:

- Light control: wallwasher of highly reflective aluminium, highly specular
- Beam angle: wallwasher
- Symmetry: asymmetric distribution
- Light emission: direct distribution

#### Lamps:

- Lamps: with LED
- Rated luminous flux: 2470lm
- Luminous efficacy: 89lm/W
- Colour temperature: 4000K
- Colour rendering index: CRI > 80
- Light colour: 840
- SDCM (Standard Deviation of Colour Matching): MacAdam ≤ 3 SDCM (initial)
- Rated input power: 28W

#### Operating device:

- Control gear: ECG
- Control: DALI

#### Certificates, Standards

- Protection rating: IP20
- Insulation class: insulation class II (safety insulation)
- Temperature range (operation): 0..+35°C
- Certification, designation: CE

#### Material, Colour

- LED module: aluminium, highly specular, white
- luminaire module: aluminium, highly specular, white
- Colour specification: white
- recessing ring: plastic, traffic white (RAL 9016)
- Colour specification: traffic white (RAL 9016)

#### Mounting

- Mounting method, mounting location: recessed, in the ceiling
- Ø of ceiling cut-out: 162mm
- Clamping range: 1..40mm
- Arrangement: single arrangement

#### Electrical connection

- Connection: terminal, 5-pole
- Nominal voltage: 220..230V, 0/50..60Hz, AC/DC

#### Dimensions, Weight

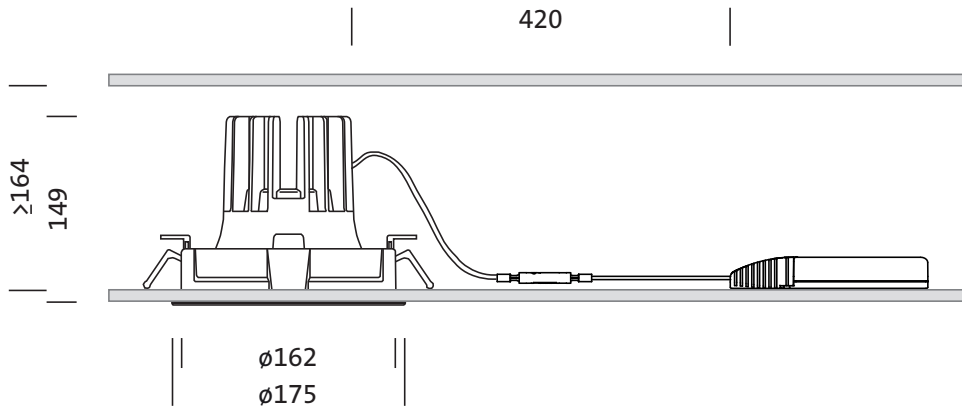
- Diameter: 176mm
- Height: 148mm
- Weight: 1.1kg

#### Service life

- Rated service life: 50000h (L85/B50) at AT = 25°C

Order No.: 51DK11CD2WG21 | GTIN (EAN): 4058352105498

Dimensions: Lun11mnRd,rec,WW,spec,2470lm840,DA,5p,wh



It is mandatory that the assembly instructions must be observed when planning and installing the electrical installation (to be found at [www.siteco.de](http://www.siteco.de))  
Tolerances related to thermal, electrical and photometric data according to IEC 62722  
Issued 24.02.2023 - Modifications and errors subject to change - Ensure that you always use the latest version -

**Order No.:** 51DK11CD2WG21 | **GTIN (EAN):** 4058352105498

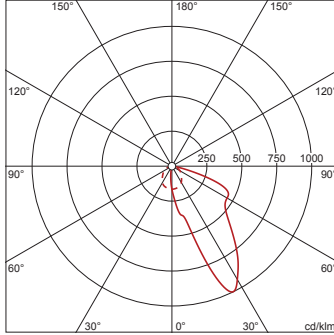
**Planning data:** Lun11mnRd,rec,WW,spec,2470lm840,DA,5p,wh

**51DK11CD2WG21: 1x LED**  
**4000K / CRI ≥ 80**

4058352105498

51DK11CD2WG21

LED 4000K / CRI ≥ 80  $\Phi_N$  2470 lm



$I_{max}$  991 cd/klm at  $\gamma$  25°

Luminance values (cd/m<sup>2</sup>)

C 0/180  
L80 170632  
L70 686625  
L65 706294

UGR 42.1 35.2  
X 4H Y 8H  $\rho$  70/50/20 S 0.25H

No. of luminaires in room

Reflection factors 70/50/20

Em(lx)	100		200		500	
Lh(m)	2.5	3.0	2.5	3.0	2.5	3.0
20 m <sup>2</sup>	1.3	1.4	2.6	2.8	6.5	7.0
30 m <sup>2</sup>	1.9	2.4	3.8	4.8	9.4	12
40 m <sup>2</sup>	2.3	2.7	4.7	5.4	12	14
50 m <sup>2</sup>	2.8	3.2	5.6	6.4	14	16
75 m <sup>2</sup>	4.1	4.9	8.1	9.8	20	24
100 m <sup>2</sup>	5.3	5.7	11	11	26	29
500 m <sup>2</sup>	24	25	48	50	119	124

Maintenance factor 0.8

Rh = Lh

It is mandatory that the assembly instructions must be observed when planning and installing the electrical installation (to be found at [www.siteco.de](http://www.siteco.de))

Tolerances related to thermal, electrical and photometric data according to IEC 62722

Issued 24.02.2023 - Modifications and errors subject to change - Ensure that you always use the latest version -