

Order No.: 51DK11CD2WM21 | **GTIN (EAN):** 4058352132326

Product description: Lun11mnRd,rec,WW,spec,1930lm930,DA,5p,wh

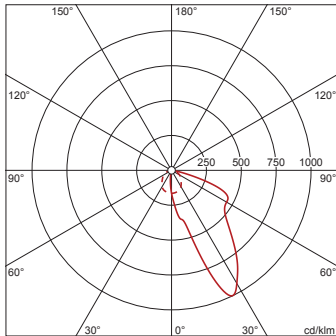


Lunis 11 mini round, downlight, light control with wallwasher, of highly reflective aluminium, highly specular, light emission: direct distribution, LED rated luminous flux: 1.930lm, light colour: 930, control gear: ECG, with terminal, 5-pole, mains connection: 220..230V, AC/DC, 0/50..60Hz, LED module, luminaire module, of aluminium, highly specular, white, diameter: 176mm, clamping range: 1..40mm, recessing ring, of plastic, traffic white (RAL 9016), protection rating (complete): IP20, insulation class (complete): insulation class II (safety insulation), certification: CE, permissible ambient temperature for indoor applications: 0..+35°C, packaging unit: 1 piece

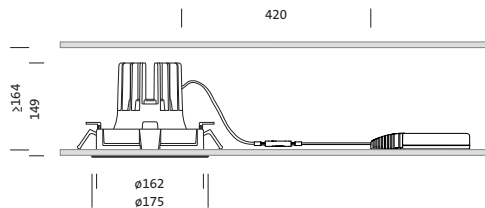
IP 20  

4058352132326
51DK11CD2WM21

LED 3000K / CRI ≥ 90 Φ_N 1930 lm



Lamps: LED
Wt. (kg): 1.2
GTIN (EAN): 4058352132326



It is mandatory that the assembly instructions must be observed when planning and installing the electrical installation (to be found at www.siteco.de)

Tolerances related to thermal, electrical and photometric data according to IEC 62722

Issued 24.02.2023 - Modifications and errors subject to change - Ensure that you always use the latest version -

Order No.: 51DK11CD2WM21 | **GTIN (EAN):** 4058352132326

Detailed technical description: Lun11mnRd,rec,WW,spec,1930lm930,DA,5p,wh



Key data

- Product type: downlight
- Product name: Lunis 11 mini round
- Order No.: 51DK11CD2WM21

Lighting technology | Lamps | Control gear

Component 1

Lighting technology:

- Light control: wallwasher of highly reflective aluminium, highly specular
- Beam angle: wallwasher
- Symmetry: asymmetric distribution
- Light emission: direct distribution

Lamps:

- Lamps: with High Power LED, LED
- Rated luminous flux: 1930lm
- Luminous efficacy: 69lm/W
- Colour temperature: 3000K
- Colour rendering index: CRI > 90
- Light colour: 930
- SDCM (Standard Deviation of Colour Matching): MacAdam ≤ 3 SDCM (initial)
- Rated input power: 28W

Operating device:

- Control gear: ECG
- Control: DALI

Certificates, Standards

- Protection rating: IP20
- Insulation class: insulation class II (safety insulation)
- Temperature range (operation): 0..+35°C
- Certification, designation: CE

Material, Colour

- LED module: aluminium, highly specular, white
- luminaire module: aluminium, highly specular, white
- Colour specification: white
- recessing ring: plastic, traffic white (RAL 9016)
- Colour specification: traffic white (RAL 9016)

Mounting

- Mounting method, mounting location: recessed, in the ceiling
- Ø of ceiling cut-out: 162mm
- Clamping range: 1..40mm
- Arrangement: single arrangement

Electrical connection

- Connection: terminal, 5-pole
- Nominal voltage: 220..230V, 0/50..60Hz, AC/DC

Dimensions, Weight

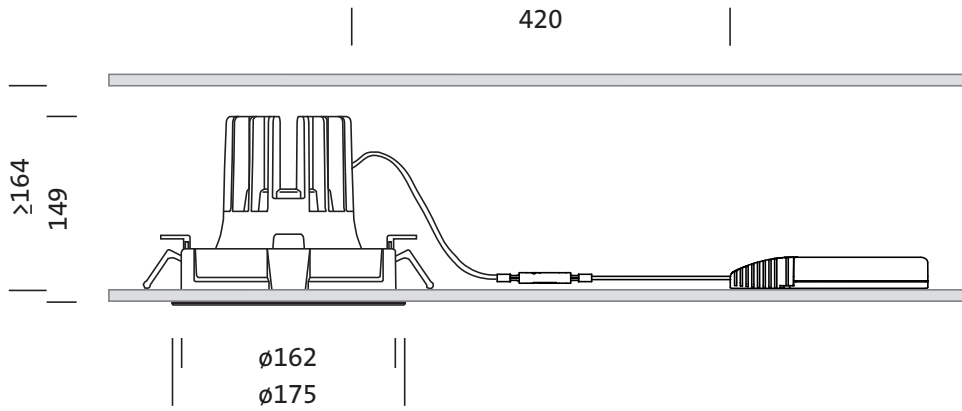
- Diameter: 176mm
- Height: 148mm
- Weight: 1.2kg

Service life

- Rated service life: 50000h (L85/B50) at AT = 25°C

Order No.: 51DK11CD2WM21 | GTIN (EAN): 4058352132326

Dimensions: Lun11mnRd,rec,WW,spec,1930lm930,DA,5p,wh



It is mandatory that the assembly instructions must be observed when planning and installing the electrical installation (to be found at www.siteco.de)
Tolerances related to thermal, electrical and photometric data according to IEC 62722
Issued 24.02.2023 - Modifications and errors subject to change - Ensure that you always use the latest version -

Order No.: 51DK11CD2WM21 | **GTIN (EAN):** 4058352132326

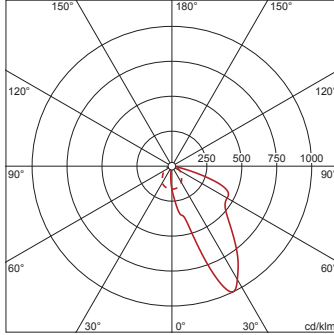
Planning data: Lun11mnRd,rec,WW,spec,1930lm930,DA,5p,wh

51DK11CD2WM21: 1x LED
3000K / CRI ≥ 90

4058352132326

51DK11CD2WM21

LED 3000K / CRI ≥ 90 Φ_N 1930 lm



I_{max} 991 cd/klm at γ 25°

Luminance values (cd/m²)

C 0/180
 L₈₀ 133328
 L₇₀ 536513
 L₆₅ 551881

UGR 41.3 34.4
 X 4H Y 8H ρ 70/50/20 S 0.25H

No. of luminaires in room

Reflection factors 70/50/20

Em(lx)	100		200		500	
Lh(m)	2.5	3.0	2.5	3.0	2.5	3.0
20 m ²	1.7	1.8	3.3	3.6	8.3	9.0
30 m ²	2.4	3.1	4.8	6.1	12	15
40 m ²	3.0	3.5	6.0	6.9	15	17
50 m ²	3.6	4.1	7.2	8.1	18	20
75 m ²	5.2	6.3	10	13	26	31
100 m ²	6.7	7.3	13	15	34	37
500 m ²	31	32	61	64	153	159

Maintenance factor 0.8

Rh = Lh

It is mandatory that the assembly instructions must be observed when planning and installing the electrical installation (to be found at www.siteco.de)

Tolerances related to thermal, electrical and photometric data according to IEC 62722

Issued 24.02.2023 - Modifications and errors subject to change - Ensure that you always use the latest version -