

**Order No.:** 51DK11B72WM21 | **GTIN (EAN):** 4058352132289

**Product description:** Lun11mnRd,rec,WW,spec,1930lm930,0/1,3p

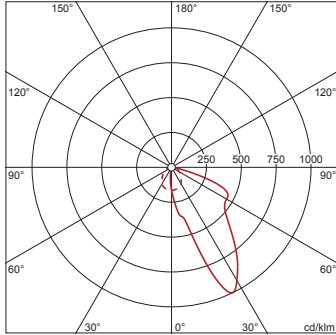


Lunis 11 mini round, downlight, light control with wallwasher, of highly reflective aluminium, highly specular, light emission: direct distribution, LED rated luminous flux: 1.930lm, light colour: 930, control gear: ECG, with terminal, 3-pole, mains connection: 220..230V, AC/DC, 0/50..60Hz, LED module, luminaire module, of aluminium, highly specular, white, diameter: 176mm, clamping range: 1..40mm, recessing ring, of plastic, traffic white (RAL 9016), protection rating (complete): IP20, insulation class (complete): insulation class II (safety insulation), certification: CE, permissible ambient temperature for indoor applications: 0..+35°C, packaging unit: 1 piece

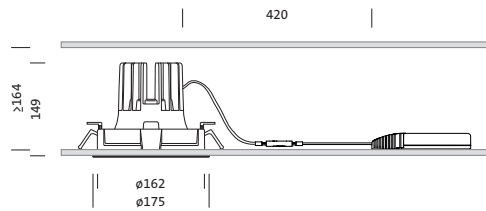
IP 20  

4058352132289  
51DK11B72WM21

LED 3000K / CRI ≥ 90  $\Phi_N$  1930 lm



Lamps: LED  
Wt. (kg): 1.1  
GTIN (EAN): 4058352132289



It is mandatory that the assembly instructions must be observed when planning and installing the electrical installation (to be found at [www.siteco.de](http://www.siteco.de))

Tolerances related to thermal, electrical and photometric data according to IEC 62722

Issued 24.02.2023 - Modifications and errors subject to change - Ensure that you always use the latest version -

**Order No.:** 51DK11B72WM21 | **GTIN (EAN):** 4058352132289

**Detailed technical description:** Lun11mnRd,rec,WW,spec,1930lm930,0/1,3p



#### Key data

- Product type: downlight
- Product name: Lunis 11 mini round
- Order No.: 51DK11B72WM21

#### Lighting technology | Lamps | Control gear

##### Component 1

#### Lighting technology:

- Light control: wallwasher of highly reflective aluminium, highly specular
- Beam angle: wallwasher
- Symmetry: asymmetric distribution
- Light emission: direct distribution

#### Lamps:

- Lamps: with High Power LED, LED
- Rated luminous flux: 1930lm
- Luminous efficacy: 69lm/W
- Colour temperature: 3000K
- Colour rendering index: CRI > 90
- Light colour: 930
- SDCM (Standard Deviation of Colour Matching): MacAdam ≤ 3 SDCM (initial)
- Rated input power: 28W

#### Operating device:

- Control gear: ECG
- Control: ON/OFF

#### Certificates, Standards

- Protection rating: IP20
- Insulation class: insulation class II (safety insulation)
- Temperature range (operation): 0..+35°C
- Certification, designation: CE

#### Material, Colour

- LED module: aluminium, highly specular, white
- luminaire module: aluminium, highly specular, white
- Colour specification: white
- recessing ring: plastic, traffic white (RAL 9016)
- Colour specification: traffic white (RAL 9016)

#### Mounting

- Mounting method, mounting location: recessed, in the ceiling
- Ø of ceiling cut-out: 162mm
- Clamping range: 1..40mm
- Arrangement: single arrangement

#### Electrical connection

- Connection: terminal, 3-pole
- Nominal voltage: 220..230V, 0/50..60Hz, AC/DC

#### Dimensions, Weight

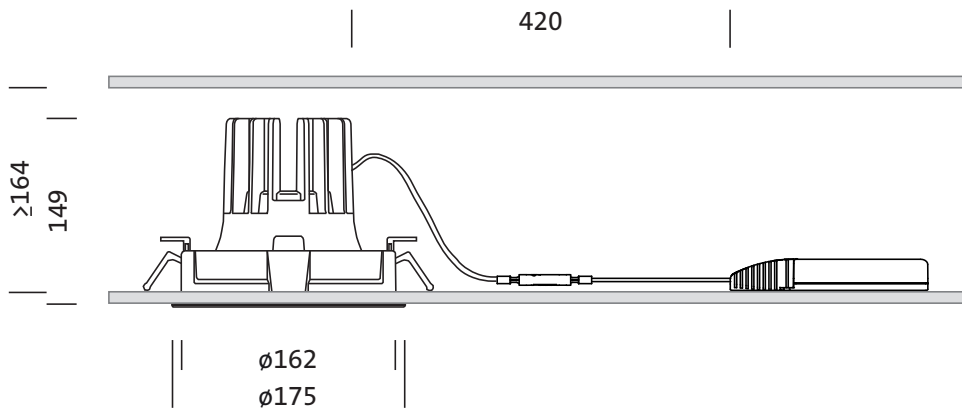
- Diameter: 176mm
- Height: 148mm
- Weight: 1.1kg

#### Service life

- Rated service life: 50000h (L85/B50) at AT = 25°C

Order No.: 51DK11B72WM21 | GTIN (EAN): 4058352132289

Dimensions: Lun11mnRd,rec,WW,spec,1930lm930,0/1,3p



It is mandatory that the assembly instructions must be observed when planning and installing the electrical installation (to be found at [www.siteco.de](http://www.siteco.de))  
Tolerances related to thermal, electrical and photometric data according to IEC 62722  
Issued 24.02.2023 - Modifications and errors subject to change - Ensure that you always use the latest version -

**Order No.:** 51DK11B72WM21 | **GTIN (EAN):** 4058352132289

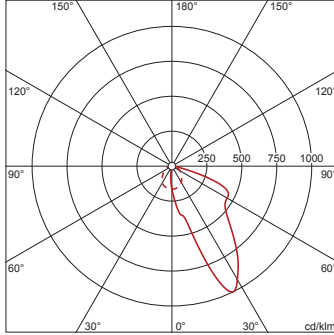
**Planning data:** Lun11mnRd,rec,WW,spec,1930lm930,0/1,3p

**51DK11B72WM21: 1x LED**  
**3000K / CRI ≥ 90**

4058352132289

51DK11B72WM21

LED 3000K / CRI ≥ 90  $\Phi_N$  1930 lm



$I_{max}$  991 cd/klm at  $\gamma$  25°

Luminance values (cd/m<sup>2</sup>)

C 0/180  
L<sub>80</sub> 133328  
L<sub>70</sub> 536513  
L<sub>65</sub> 551881

UGR 41.3 34.4  
X 4H Y 8H  $\rho$  70/50/20 S 0.25H

No. of luminaires in room

Reflection factors 70/50/20

Em(lx)	100		200		500	
	2.5	3.0	2.5	3.0	2.5	3.0
Lh(m)	2.5	3.0	2.5	3.0	2.5	3.0
20 m <sup>2</sup>	1.7	1.8	3.3	3.6	8.3	9.0
30 m <sup>2</sup>	2.4	3.1	4.8	6.1	12	15
40 m <sup>2</sup>	3.0	3.5	6.0	6.9	15	17
50 m <sup>2</sup>	3.6	4.1	7.2	8.1	18	20
75 m <sup>2</sup>	5.2	6.3	10	13	26	31
100 m <sup>2</sup>	6.7	7.3	13	15	34	37
500 m <sup>2</sup>	31	32	61	64	153	159

Maintenance factor 0.8

Rh = Lh

It is mandatory that the assembly instructions must be observed when planning and installing the electrical installation (to be found at [www.siteco.de](http://www.siteco.de))

Tolerances related to thermal, electrical and photometric data according to IEC 62722

Issued 24.02.2023 - Modifications and errors subject to change - Ensure that you always use the latest version -