

**Order No.:** 51HC41DA4FMB | **GTIN (EAN):** 4058352700075

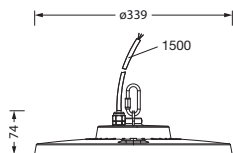
**Product description:** HB31S,rot.sym,60°,14000lm840,DA2



Highbay 31-S, LED high bay luminaire, primary light control with lens, of PC, primary optical cover: cover panel, of PC, transparent, light emission: direct distribution, primary light characteristic: rotationally symmetric, installation type: suspended mounting, surface-mounted, LED, rated luminous flux: 14.000lm, luminous efficacy: 150lm/W, light colour: 840, colour temperature: 4000K, control gear: ECG DALI, with cable, 5x 1.0mm<sup>2</sup>, free wire ends, mains connection: 220..240V, AC/DC, 0/50..60Hz, cable length: 1,5m, rated input power: 94W, housing, rotationally symmetric, of diecast aluminium, powder-coated, grey aluminium (RAL 9007), with hook on luminaire side, incl. screw, diameter: 339mm, protection rating (complete): IP65, insulation class (complete): insulation class I (protective earthing), certification: CE, ENEC, UKCA, protection symbol: D, impact resistance: IK08, permissible operating ambient temperature: -30..+45°C, standard: EN 60598-2-22, EN 60598, corresponds to IFS (International Featured Standards) requirements for safety and quality in the food industry, packaging unit: 1 piece



Lamps:	LED
Wt. (kg):	2.9
GTIN (EAN):	4058352700075



**Order No.:** 51HC41DA4FMB | **GTIN (EAN):** 4058352700075

**Detailed technical description:** HB31S,rot.sym,60°,14000lm840,DA2



### Key data

- Product type: LED high bay luminaire
- Product name: Highbay 31-S
- Order No.: 51HC41DA4FMB

### Lighting technology | Lamps | Control gear

#### Component 1

#### Lighting technology:

- Light control: lens of PC
- Cover: cover panel, transparent
- Beam angle: 60°
- Symmetry: rotationally symmetric
- Light emission: direct distribution
- UGR viewing direction along longitudinal luminaire axis:  $\leq 25$
- UGR viewing direction along lateral luminaire axis:  $\leq 25$

#### Lamps:

- Lamps: with LED
- Rated luminous flux: 14000lm
- Luminous efficacy: 150lm/W
- Colour temperature: 4000K
- Colour rendering index: CRI > 80
- Light colour: 840
- SDCM (Standard Deviation of Colour Matching): MacAdam  $\leq 4$  SDCM (initial)
- Rated input power: 94W
- Supplement: for emergency light function, for central battery installations according to DIN EN 60598-2-22, without flicker

#### Operating device:

- Control gear: ECG DALI
- Control: DALI 2

### Certificates, Standards

- Protection rating: IP65
- Insulation class: insulation class I (protective earthing)
- Impact resistance: IK08
- Protection symbol: D
- Temperature range (operation): -30..+45°C
- Supplement: corresponds to IFS (International Featured Standards) requirements for safety and quality in the food industry
- Standard: EN 60598, EN 60598-2-22
- Certification, designation: CE, ENEC, UKCA

### Material, Colour

- housing: diecast aluminium, powder-coated, grey aluminium (RAL 9007), rotationally symmetric, with hook on luminaire side, incl. screw
- Quantity: 1 piece
- Colour specification: grey aluminium (RAL 9007)
- Cover: cover panel of PC

### Mounting

- Mounting method, mounting location: suspended mounting, surface-mounted, to the ceiling, to the chain
- Arrangement: single arrangement
- Supplement: only suitable for indoor use, mounting accessories required, please order separately

### Electrical connection

- Connection: cable, 5x 1.0mm<sup>2</sup>, free wire ends
- Nominal voltage: 220..240V, 0/50..60Hz, AC/DC

### Dimensions, Weight

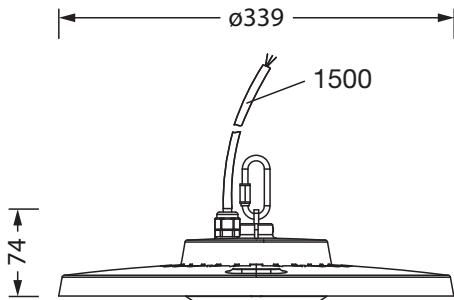
- Diameter: 339mm
- Weight: 2.9kg

### Service life

- Rated service life: 100000h (L70/B50) at AT = 35°C, 70000h (L80/B50) at AT = 45°C, 50000h (L85/B50) at AT = 45°C

Order No.: 51HC41DA4FMB | GTIN (EAN): 4058352700075

Dimensions: HB31S,rot.sym,60°,14000lm840,DA2



It is mandatory that the assembly instructions must be observed when planning and installing the electrical installation (to be found at [www.siteco.de](http://www.siteco.de))

Tolerances related to thermal, electrical and photometric data according to IEC 62722

Issued 13.04.2024 - Modifications and errors subject to change - Ensure that you always use the latest version -