

Order No.: 5XA513281B08A5 | GTIN (EAN): 4058352058688

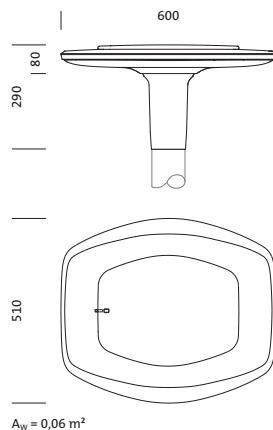
Product description: DL30,ST1.2c,4590lm830,Plus



DL® 30 LED, mast luminaire, primary light control with 3 zone faceted reflector, of plastic, aluminium vaporised, highly specular, primary optical cover: cover, of PMMA, structured, transparent, light distribution: ST1.2c, light emission: direct distribution, primary light characteristic: asymmetric, crossroads, installation type: post-top, LED, High Power LED, rated luminous flux: 4.590lm, luminous efficacy: 94lm/W, light colour: 830, colour temperature: 3000K, control gear: ECG Plus, control: flexible luminous flux parameterisation, time-dependent luminous flux control, constant luminous flux control, digital communication interface, power reduction, electronic power reduction, mains connection: 230..240V, AC, 50/60Hz, start of lifetime: 49W, end of service life: 51W, reduction: 22W, luminaire housing, of diecast aluminium, powder-coated, Siteco® metallic grey (DB 702S), length: 600mm, width: 510mm, height: 290mm, spigot size: d x l = 76 x 100mm (post-top) | with reducer (optional accessory) 60 x 100mm, protection rating (complete): IP66, insulation class (complete): insulation class II (safety insulation), certification: CE, ENEC, VDE, impact resistance: IK08, permissible operating ambient temperature: -25..+30°C, standard-compliant lighting for roads and squares, packaging unit: 1 piece



Lamps:	LED
Wt. (kg):	7.8
GTIN (EAN):	4058352058688



It is mandatory that the assembly instructions must be observed when planning and installing the electrical installation (to be found at [www.siteco.de](http://www.siteco.de))

Tolerances related to thermal, electrical and photometric data according to IEC 62722

Issued 17.02.2024 - Modifications and errors subject to change - Ensure that you always use the latest version -

Order No.: 5XA513281B08A5 | GTIN (EAN): 4058352058688

Detailed technical description: DL30,ST1.2c,4590lm830,Plus



#### Key data

- Product type: mast luminaire
- Product name: DL® 30 LED
- Order No.: 5XA513281B08A5

#### Lighting technology | Lamps | Control gear

##### Component 1

#### Lighting technology:

- Light control: 3 zone faceted reflector of plastic, aluminium vaporised, highly specular
- Cover: cover, transparent, structured
- Light distribution: ST1.2c
- Beam angle: wide distribution
- Symmetry: asymmetric, crossroads
- Light emission: direct distribution

#### Lamps:

- Lamps: with High Power LED, LED
- Rated luminous flux: 4590lm
- Luminous efficacy: 94lm/W
- Colour temperature: 3000K
- Colour rendering index: CRI > 80
- Light colour: 830
- SDCM (Standard Deviation of Colour Matching): MacAdam ≤ 5 SDCM (initial)
- Rated input power begin service life: 49
- Rated input power end service life: 51
- Rated input power at 50% lumin. flux: 22

#### Operating device:

- Control gear: ECG Plus
- Control: Plus
- Equipment: power reduction, digital communication interface, constant luminous flux control, time-dependent luminous flux control, flexible luminous flux parameterisation
- Switching method: electronic power reduction

#### Certificates, Standards

- Protection rating: IP66
- Insulation class: insulation class II (safety insulation)
- Impact resistance: IK08
- Temperature range (operation): -25..+30°C
- Supplement: standard-compliant lighting for roads and squares
- Certification, designation: CE, ENEC, VDE

#### Material, Colour

- luminaire housing: diecast aluminium, powder-coated, Siteco® metallic grey (DB 702S)
- Colour specification: Siteco® metallic grey (DB 702S)
- Cover: cover of PMMA

#### Mounting

- Mounting method, mounting location: post-top, on mast

#### Electrical connection

- Nominal voltage: 230..240V, 50/60Hz, AC
- Surge voltage resistance: 6kV 1.2/50µs

#### Dimensions, Weight

- Length: 600mm
- Width: 510mm
- Height: 290mm
- Weight: 7.8kg
- Mast spigot: spigot size: d x l = 76 x 100mm (post-top) | with reducer (optional accessory) 60 x 100mm

#### Light emission

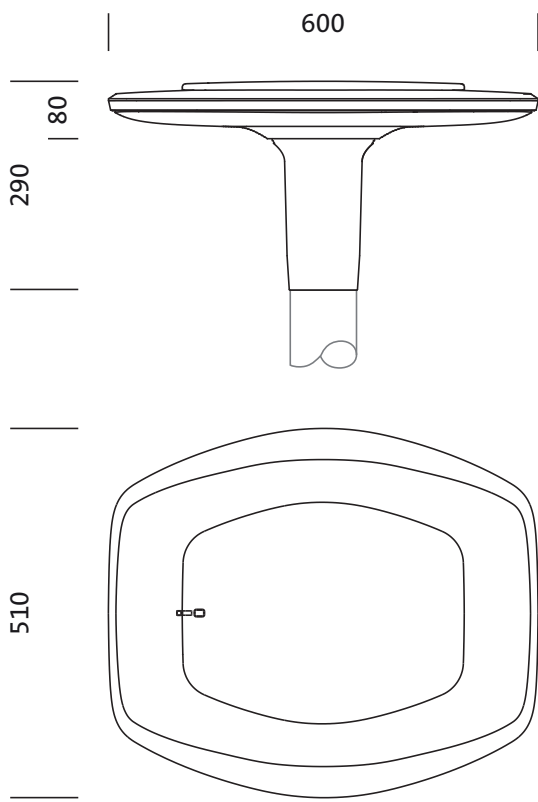
- Light emission: 0%

#### Service life

- Rated service life: 100000h (L97/B10) at AT = 25°C

Order No.: 5XA513281B08A5 | GTIN (EAN): 4058352058688

Dimensions: DL30,ST1.2c,4590lm830,Plus



$A_w = 0,06 \text{ m}^2$

It is mandatory that the assembly instructions must be observed when planning and installing the electrical installation (to be found at [www.siteco.de](http://www.siteco.de))

Tolerances related to thermal, electrical and photometric data according to IEC 62722

Issued 17.02.2024 - Modifications and errors subject to change - Ensure that you always use the latest version -

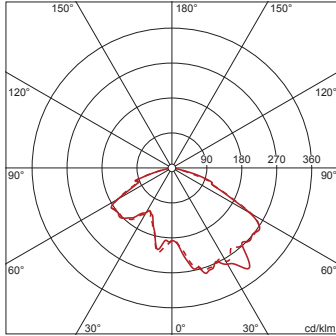
Order No.: 5XA513281B08A5 | GTIN (EAN): 4058352058688

Planning data: DL30,ST1.2c,4590lm830,Plus

5XA513281B08A5: 1x LED

4058352058688  
5XA513281B08A5

LED 3000 K | CRI  $\geq$  80  $\phi_{\text{N}}$  4590 lm



— C 0/180    - - - C 90/270

Luminous intensity class according to  
EN13201-2: G4