

**Order No.:** 51TP13CN4DXR | **GTIN (EAN):** 4058352265079

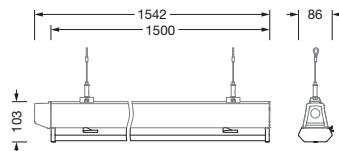
**Product description:** Lic11Pr,e.nrrw,13280lm840,MLCi,IP64



Licross® 11 Protected HO, luminaire insert, of sheet steel, galvanised, coil coated, white, length: 1.500mm, width: 90mm, height: 101mm, LED rated luminous flux: 13.280lm, light colour: 840, control gear: ON/OFF Multilumen, CLOi, control gear: ECG Multilumen, with plug, 3-pole, with phase selection, mains connection: 220..240V, AC, 50/60Hz, start of lifetime: 76W, end of service life: 86W, halogen-free wiring, primary optical cover: cover, of PMMA, light emission: direct distribution, primary light characteristic: symmetric, protection rating (complete): IP64, insulation class (complete): insulation class I (protective earthing), certification: CE, ENEC, VDE, UKCA, protection symbol: D if used in an environment with conductive dust loads with corresponding accessories, impact resistance: IK06, permissible ambient temperature for indoor applications: -35..+40°C, reducing of maximum allowable ambient temperature of 5°C with ceiling mounting, corresponds to IFS (International Featured Standards) requirements for safety and quality in the food industry, LABS conformity tested according to VDMA 24364:2018-05, packaging unit: 1 piece



Lamps:	LED
Wt. (kg):	3.2
GTIN (EAN):	4058352265079



**Order No.:** 51TP13CN4DXR | **GTIN (EAN):** 4058352265079

**Detailed technical description:** Lic11Pr,e.nrrw,13280lm840,MLCi,IP64



#### Key data

- Product type: luminaire insert
- Product name: Licross® 11 Protected HO
- Order No.: 51TP13CN4DXR

#### Lighting technology | Lamps | Control gear

##### Component 1

#### Lighting technology:

- Cover: cover
- Beam angle: extremely narrow distribution
- Symmetry: symmetric
- Light emission: direct distribution

#### Lamps:

- Lamps: with LED
- Rated luminous flux: 13280lm
- Luminous efficacy: 174lm/W
- Colour temperature: 4000K
- Colour rendering index: CRI > 80
- Light colour: 840
- SDCM (Standard Deviation of Colour Matching): MacAdam ≤ 3 SDCM (initial)
- Rated input power begin service life: 76
- Rated input power end service life: 86
- Supplement: halogen-free wiring

#### Operating device:

- Control gear: ECG Multilumen
- Control: ON/OFF Multilumen, CLOi

#### Certificates, Standards

- Protection rating: IP64
- Insulation class: insulation class I (protective earthing)
- Impact resistance: IK06
- Protection symbol: D if used in an environment with conductive dust loads with corresponding accessories
- Temperature range (operation): -35..+40°C
- Supplement: corresponds to IFS (International Featured Standards) requirements for safety and quality in the food industry, reducing of maximum allowable ambient temperature of 5°C with ceiling mounting, LABS conformity tested according to VDMA 24364:2018-05
- Certification, designation: CE, ENEC, VDE, UKCA

#### Material, Colour

- Licross® LED insert: sheet steel, galvanised, coil coated, white
- Colour specification: white
- Cover: cover of PMMA

#### Mounting

- Mounting method, mounting location: slip-in mounting, in the Licross® trunking rail
- Arrangement: single/continuous arrangement
- Supplement: only suitable for indoor use

#### Electrical connection

- Connection: plug, 3-pole, with phase selection
- Nominal voltage: 220..240V, 50/60Hz, AC

#### Dimensions, Weight

- Length: 1500mm
- Width: 90mm
- Height: 101mm
- Weight: 3.2kg

#### Service life

- Rated service life: 70000h (L100/B50) at AT = ta max

Order No.: 51TP13CN4DXR | GTIN (EAN): 4058352265079

Dimensions: Lic11Pr,e.nrrw,13280lm840,MLCi,IP64



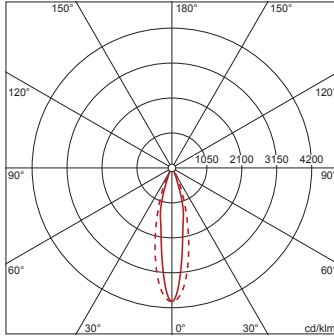
**Order No.:** 51TP13CN4DXR | **GTIN (EAN):** 4058352265079

**Planning data:** Lic11Pr,e.nrrw,13280lm840,MLCi,IP64

**51TP13CN4DXR: 1x LED**

4058352265079  
51TP13CN4DXR

LED 4000 K | CRI ≥ 80  $\phi_{\text{N}}$  13280 lm



$\phi_{\text{d}}$  100%  $\phi_{\text{r}}$  0%

Luminance values (cd/m<sup>2</sup>)

	C 0/180	C 90/270
L <sub>80</sub>	4957	4341
L <sub>70</sub>	5513	7864
L <sub>65</sub>	6020	9699

UGR 18.2 17.5

X 4H Y 8H  $\rho$  70/50/20 S 0.25H