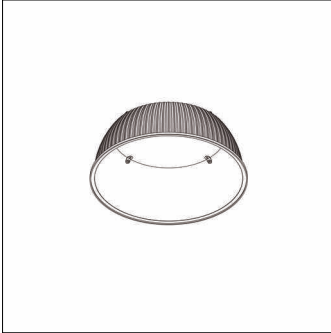
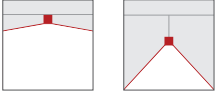


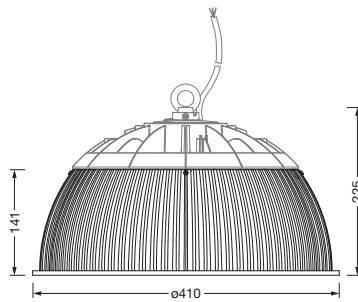
Order No.: 59HP91001 | GTIN (EAN): 4058352475829

Product description: HB42S/L,refl,PC,dir,surf



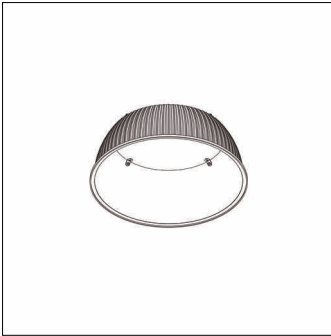
Highbay 42 S/L, reflector, primary light control with reflector, of PC, transparent prismatic structure, light emission: direct with ceiling illumination distribution, primary light characteristic: rotationally symmetric, installation type: surface-mounted, diameter: 410mm, height: 141mm, packaging unit: 1 piece

Wt. (kg): 0.5
GTIN (EAN): 4058352475829



Order No.: 59HP91001 | GTIN (EAN): 4058352475829

Detailed technical description: HB42S/L,refl,PC,dir,surf



Key data

- Product type: reflector
- Product name: Highbay 42 S/L
- Order No.: 59HP91001

Lighting technology | Lamps | Control gear

Component 1

Lighting technology:

- Light control: reflector of PC, transparent prismatic structure
- Beam angle: wide distribution, 100°
- Symmetry: rotationally symmetric
- Light emission: direct with ceiling illumination

Mounting

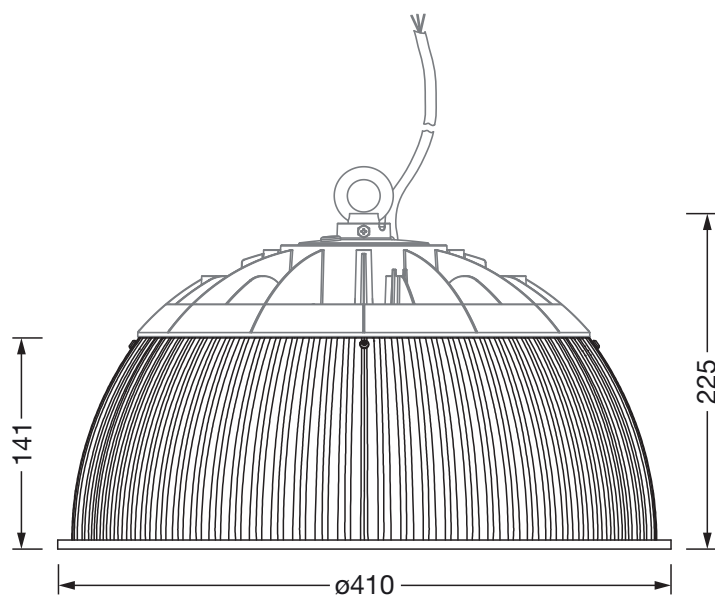
- Mounting method, mounting location: surface-mounted, to the luminaire
- Arrangement: single arrangement
- Supplement: incl. adapter ring

Dimensions, Weight

- Diameter: 410mm
- Height: 141mm
- Weight: 0.5kg

Order No.: 59HP91001 | GTIN (EAN): 4058352475829

Dimensions: HB42S/L, refl, PC, dir, surf



It is mandatory that the assembly instructions must be observed when planning and installing the electrical installation (to be found at www.siteco.de)

Tolerances related to thermal, electrical and photometric data according to IEC 62722

Issued 24.11.2023 - Modifications and errors subject to change - Ensure that you always use the latest version -