

**Order No.:** 5MZ312LEDZM00191XX | **GTIN (EAN):** 4058352535011

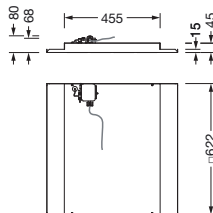
**Product description:** Scri11,LED6400lm840,DA,L621,li



Scriptus® 11, office luminaire, primary optical cover: lenses, CAT 2 ( $L \leq 3000 \text{cd/m}^2$ ), light emission: direct distribution, primary light characteristic: symmetric, installation type: lay-in mounting, LED, rated luminous flux: 6.400lm, light colour: 840, colour temperature: 4000K, control gear: ECG DALI, with terminal, 3+2-pole, max.  $2.5 \text{mm}^2$ , mains connection: 230V, AC, 50Hz, housing, of sheet steel, galvanised, traffic white (RAL 9016), module: M625, length: 621mm, width: 621mm, height: 68mm, protection rating (complete): IP20, insulation class (complete): insulation class I (protective earthing), certification: CE, impact resistance: IK02, permissible operating ambient temperature:  $0..+35^\circ\text{C}$ , standard: EN 50419, packaging unit: 1 piece

IP 20  

Lamps:	LED
Wt. (kg):	8.0
GTIN (EAN):	4058352535011



**Order No.:** 5MZ312LEDZM00191XX | **GTIN (EAN):** 4058352535011

**Detailed technical description:** Scri11,LED6400lm840,DA,L621,li



#### Key data

- Product type: office luminaire
- Product name: Scriptus® 11
- Order No.: 5MZ312LEDZM00191XX

#### Lighting technology | Lamps | Control gear

##### Component 1

#### Lighting technology:

- Cover: lenses
- Symmetry: symmetric
- Light emission: direct distribution
- UGR viewing direction along longitudinal luminaire axis:  $\leq 19$
- UGR viewing direction along lateral luminaire axis:  $\leq 19$

#### Lamps:

- Lamps: with LED
- Rated luminous flux: 6400lm
- Colour temperature: 4000K
- Colour rendering index: CRI > 80
- Light colour: 840
- SDCM (Standard Deviation of Colour Matching): MacAdam  $\leq 3$  SDCM (initial)

#### Operating device:

- Control gear: ECG DALI
- Control: DALI

#### Certificates, Standards

- Protection rating: IP20
- Insulation class: insulation class I (protective earthing)
- Impact resistance: IK02
- Temperature range (operation): 0..+35°C
- Standard: EN 50419
- Certification, designation: CE

#### Material, Colour

- housing: sheet steel, galvanised, traffic white (RAL 9016)
- Colour specification: traffic white (RAL 9016)
- Cover: lenses

#### Mounting

- Mounting method, mounting location: lay-in mounting, in the ceiling
- Arrangement: single arrangement

#### Electrical connection

- Connection: terminal, 3+2-pole, max. 2.5mm<sup>2</sup>
- Nominal voltage: 230V, 230..240V, 50Hz, AC

#### Dimensions, Weight

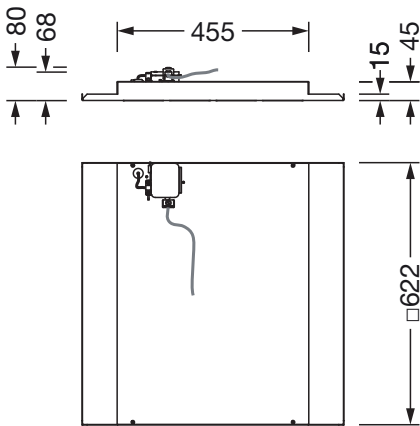
- Length: 621mm
- Width: 621mm
- Height: 68mm
- Weight: 8.0kg

#### Service life

- Rated service life: 50000h at AT = 25°C

Order No.: 5MZ312LEDZM00191XX | GTIN (EAN): 4058352535011

Dimensions: Scri11,LED6400lm840,DA,L621,li



It is mandatory that the assembly instructions must be observed when planning and installing the electrical installation (to be found at [www.siteco.de](http://www.siteco.de))  
Tolerances related to thermal, electrical and photometric data according to IEC 62722  
Issued 08.09.2023 - Modifications and errors subject to change - Ensure that you always use the latest version -