

**Order No.:** 51FR127A471A | **GTIN (EAN):** 4058352672266

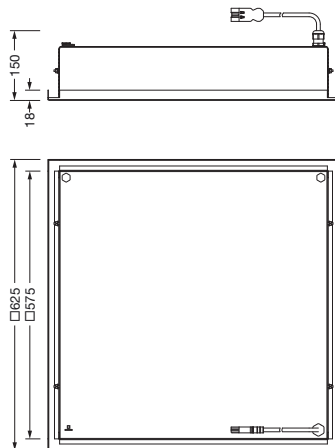
**Product description:** Mira11CRL,LED,7290lm840,ECG,TSG,dir,rec



Mira® 11, clean room luminaire, primary light control with reflector, primary optical cover: cover, of toughened safety glass, light emission: direct distribution, primary light characteristic: symmetric, installation type: recessed, LED, rated luminous flux: 7.290lm, luminous efficacy: 111lm/W, light colour: 840, colour temperature: 4000K, control gear: ECG, with terminal, 3-pole, max. 2.5mm<sup>2</sup>, mains connection: 230V, AC, 50/60Hz, rated input power: 66W, luminaire housing, of sheet steel, coated, pure white (RAL 9010), with concealed magnets, module: M625, length: 623mm, width: 623mm, height: 90mm, protection rating (complete): IP65, insulation class (complete): insulation class I (protective earthing), certification: CE, UKCA, permissible operating ambient temperature: -5..+40°C, standard: EN 50419, packaging unit: 1 piece

IP 65  

Lamps:	LED
Wt. (kg):	13.0
GTIN (EAN):	4058352672266



It is mandatory that the assembly instructions must be observed when planning and installing the electrical installation (to be found at [www.siteco.de](http://www.siteco.de))

Tolerances related to thermal, electrical and photometric data according to IEC 62722

Issued 26.04.2024 - Modifications and errors subject to change - Ensure that you always use the latest version -

Order No.: 51FR127A471A | GTIN (EAN): 4058352672266

Detailed technical description: Mira11CRL,LED,7290lm840,ECG,TSG,dir,rec



#### Key data

- Product type: clean room luminaire
- Product name: Mira® 11
- Order No.: 51FR127A471A

#### Lighting technology | Lamps | Control gear

##### Component 1

#### Lighting technology:

- Light control: reflector
- Cover: cover
- Beam angle: wide distribution
- Symmetry: symmetric
- Light emission: direct distribution
- UGR viewing direction along longitudinal luminaire axis:  $\leq 25$
- UGR viewing direction along lateral luminaire axis:  $\leq 25$

#### Lamps:

- Lamps: with LED
- Rated luminous flux: 7290lm
- Luminous efficacy: 111lm/W
- Colour temperature: 4000K
- Colour rendering index: CRI > 80
- Light colour: 840
- SDCM (Standard Deviation of Colour Matching): MacAdam  $\leq 3$  SDCM (initial)
- Rated input power: 66W

#### Operating device:

- Control gear: ECG
- Control: ON/OFF

#### Certificates, Standards

- Protection rating: IP65
- Insulation class: insulation class I (protective earthing)
- Temperature range (operation): -5..+40°C
- Standard: EN 50419
- Certification, designation: CE, UKCA

#### Material, Colour

- luminaire housing: sheet steel, coated, pure white (RAL 9010), with concealed magnets
- Colour specification: pure white (RAL 9010)
- Cover: cover of toughened safety glass

#### Mounting

- Mounting method, mounting location: recessed, in the ceiling
- Arrangement: single arrangement
- Supplement: only suitable for indoor use, for flush recessing into metal cassettes, inspection from below

#### Electrical connection

- Connection: terminal, 3-pole, max. 2.5mm<sup>2</sup>
- Nominal voltage: 230V, 230..240V, 50/60Hz, AC

#### Dimensions, Weight

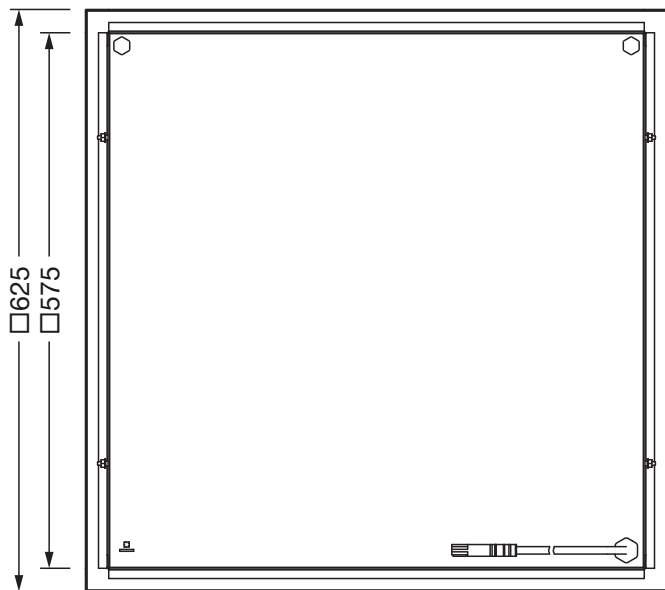
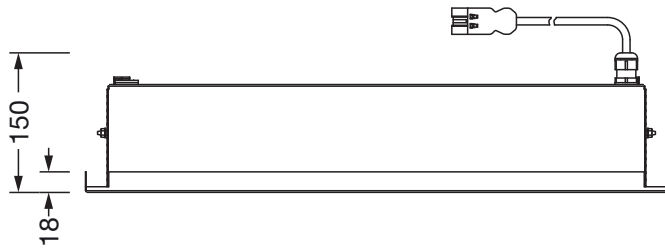
- Length: 623mm
- Width: 623mm
- Height: 90mm
- Weight: 13.0kg

#### Service life

- Rated service life: 75000h (L80/B10) at AT = 25°C

Order No.: 51FR127A471A | GTIN (EAN): 4058352672266

Dimensions: Mira11CRL,LED,7290lm840,ECG,TSG,dir,rec



It is mandatory that the assembly instructions must be observed when planning and installing the electrical installation (to be found at [www.siteco.de](http://www.siteco.de))  
Tolerances related to thermal, electrical and photometric data according to IEC 62722  
Issued 26.04.2024 - Modifications and errors subject to change - Ensure that you always use the latest version -