

Order No.: 51FR127A461A | **GTIN (EAN):** 4058352672242

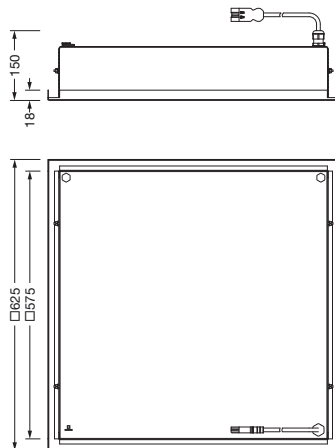
Product description: Mira11CRL,LED,6100lm840,ECG,TSG,dir,rec



Mira® 11, clean room luminaire, primary light control with reflector, primary optical cover: cover, of toughened safety glass, light emission: direct distribution, primary light characteristic: symmetric, installation type: recessed, LED, rated luminous flux: 6.100lm, luminous efficacy: 115lm/W, light colour: 840, colour temperature: 4000K, control gear: ECG, with terminal, 3-pole, max. 2.5mm², mains connection: 230V, AC, 50/60Hz, rated input power: 53W, luminaire housing, of sheet steel, coated, pure white (RAL 9010), with concealed magnets, module: M625, length: 623mm, width: 623mm, height: 90mm, protection rating (complete): IP65, insulation class (complete): insulation class I (protective earthing), certification: CE, UKCA, permissible operating ambient temperature: -5..+40°C, standard: EN 50419, packaging unit: 1 piece

IP 65  

Lamps:	LED
Wt. (kg):	13.0
GTIN (EAN):	4058352672242



It is mandatory that the assembly instructions must be observed when planning and installing the electrical installation (to be found at www.siteco.de)

Tolerances related to thermal, electrical and photometric data according to IEC 62722

Issued 26.04.2024 - Modifications and errors subject to change - Ensure that you always use the latest version -

Order No.: 51FR127A461A | GTIN (EAN): 4058352672242

Detailed technical description: Mira11CRL,LED,6100lm840,ECG,TSG,dir,rec



Key data

- Product type: clean room luminaire
- Product name: Mira® 11
- Order No.: 51FR127A461A

Lighting technology | Lamps | Control gear

Component 1

Lighting technology:

- Light control: reflector
- Cover: cover
- Beam angle: wide distribution
- Symmetry: symmetric
- Light emission: direct distribution
- UGR viewing direction along longitudinal luminaire axis: ≤ 25
- UGR viewing direction along lateral luminaire axis: ≤ 25

Lamps:

- Lamps: with LED
- Rated luminous flux: 6100lm
- Luminous efficacy: 115lm/W
- Colour temperature: 4000K
- Colour rendering index: CRI > 80
- Light colour: 840
- SDCM (Standard Deviation of Colour Matching): MacAdam ≤ 3 SDCM (initial)
- Rated input power: 53W

Operating device:

- Control gear: ECG
- Control: ON/OFF

Certificates, Standards

- Protection rating: IP65
- Insulation class: insulation class I (protective earthing)
- Temperature range (operation): -5..+40°C
- Standard: EN 50419
- Certification, designation: CE, UKCA

Material, Colour

- luminaire housing: sheet steel, coated, pure white (RAL 9010), with concealed magnets
- Colour specification: pure white (RAL 9010)
- Cover: cover of toughened safety glass

Mounting

- Mounting method, mounting location: recessed, in the ceiling
- Arrangement: single arrangement
- Supplement: only suitable for indoor use, for flush recessing into metal cassettes, inspection from below

Electrical connection

- Connection: terminal, 3-pole, max. 2.5mm²
- Nominal voltage: 230V, 230..240V, 50/60Hz, AC

Dimensions, Weight

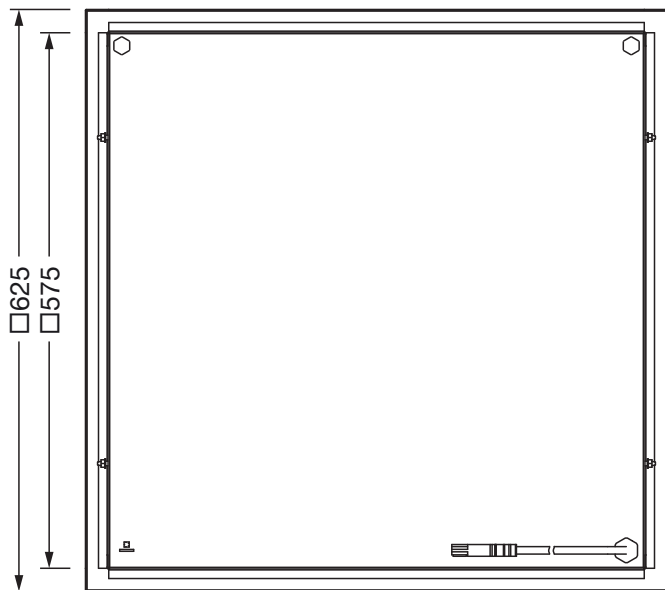
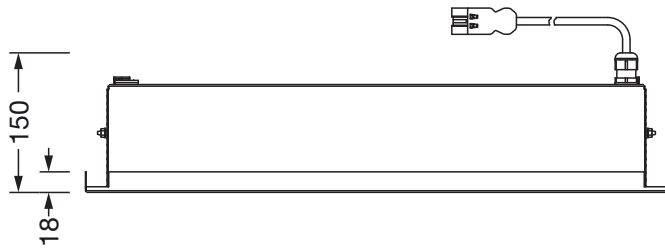
- Length: 623mm
- Width: 623mm
- Height: 90mm
- Weight: 13.0kg

Service life

- Rated service life: 75000h (L80/B10) at AT = 25°C

Order No.: 51FR127A461A | GTIN (EAN): 4058352672242

Dimensions: Mira11CRL,LED,6100lm840,ECG,TSG,dir,rec



It is mandatory that the assembly instructions must be observed when planning and installing the electrical installation (to be found at www.siteco.de)

Tolerances related to thermal, electrical and photometric data according to IEC 62722

Issued 26.04.2024 - Modifications and errors subject to change - Ensure that you always use the latest version -