

**Order No.:** 51DB157F333 | **GTIN (EAN):** 4058352710876

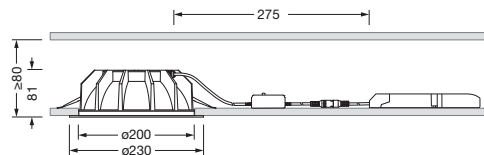
**Product description:** Lun21XL,Ø200,3360lm830,0/1,EL3hwh



Lunis 21, XL, downlight, of PC, light emission: direct distribution, LED rated luminous flux: 3.360lm, light colour: 830, control gear: ECG, with terminal, 5-pole, mains connection: 220..240V, AC/DC, 0/50..60Hz, converter, control gear: single battery element, battery: LiFeP04, housing, round, of diecast aluminium, traffic white (RAL 9016), diameter: 213mm, protection rating (complete): IP20, protection rating (on room side): IP54, insulation class (complete): insulation class II (safety insulation), certification: CE, impact resistance: IK02, packaging unit: 1 piece

IP 20  

Lamps:	LED
Wt. (kg):	1.5
GTIN (EAN):	4058352710876



Order No.: 51DB157F333 | GTIN (EAN): 4058352710876

Detailed technical description: Lun21XL,Ø200,3360lm830,0/1,EL3hwh



#### Key data

- Product type: downlight
- Product name: Lunis 21 XL
- Order No.: 51DB157F333

#### Lighting technology | Lamps | Control gear

##### Component 1

#### Lighting technology:

- Beam angle: wide distribution
- Light emission: direct distribution
- UGR viewing direction along longitudinal luminaire axis:  $\leq 19$
- UGR viewing direction along lateral luminaire axis:  $\leq 19$

#### Lamps:

- Lamps: with LED
- Rated luminous flux: 3360lm
- Luminous efficacy: 109lm/W
- Colour temperature: 3000K
- Colour rendering index: CRI > 80
- Light colour: 830
- SDCM (Standard Deviation of Colour Matching): MacAdam  $\leq 3$  SDCM (initial)
- Rated input power: 31W

#### Operating device:

- Control gear: single battery element
- Battery: LiFeP04
- Nominal service life: 3h

##### Component 2

#### Certificates, Standards

- Protection rating: IP20
- Protection rating (on room side): IP54
- Insulation class: insulation class II (safety insulation)
- Impact resistance: IK02
- Certification, designation: CE

#### Material, Colour

- housing: diecast aluminium, traffic white (RAL 9016), round
- Colour specification: traffic white (RAL 9016)

#### Mounting

- Mounting method, mounting location: recessed, in the ceiling
- Ø of ceiling cut-out: 200mm
- Arrangement: single arrangement

#### Electrical connection

- Connection: terminal, 5-pole
- Nominal voltage: 220..240V, 0/50..60Hz, AC/DC

#### Dimensions, Weight

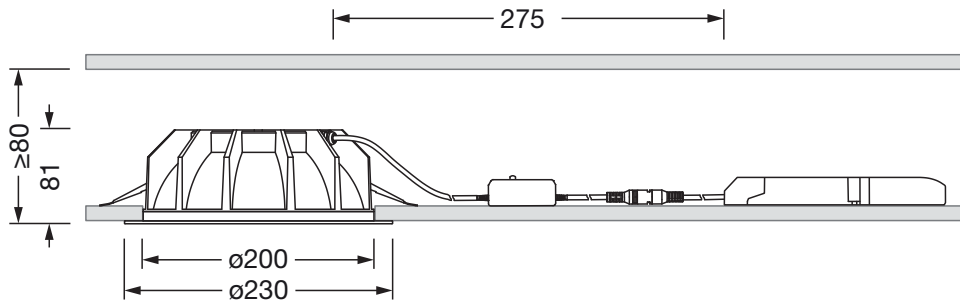
- Diameter: 213mm
- Height: 66mm
- Weight: 1.5kg

#### Service life

- Rated service life: 50000h (L80/B50) at AT = 25°C

Order No.: 51DB157F333 | GTIN (EAN): 4058352710876

Dimensions: Lun21XL,Ø200,3360lm830,0/1,EL3hwh



It is mandatory that the assembly instructions must be observed when planning and installing the electrical installation (to be found at [www.siteco.de](http://www.siteco.de))

Tolerances related to thermal, electrical and photometric data according to IEC 62722

Issued 15.03.2024 - Modifications and errors subject to change - Ensure that you always use the latest version -