

Order No.: 5XA5425EF14H | GTIN (EAN): 4058352636534

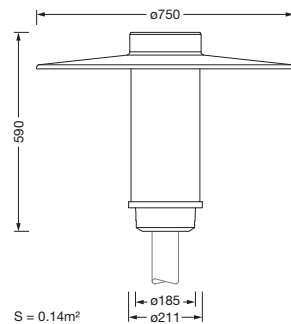
Product description: Litep2iQ,ST1.2a,1550lm730,SR



Litepole 2 iQ, mast luminaire, Module 540 iQ-SR, primary light control with 3 zone faceted reflector, of plastic, silver coated, highly specular, structured, primary optical cover: cover, of PMMA, transparent, light distribution: ST1.2a, light emission: direct distribution, primary light characteristic: asymmetric, installation type: post-top, LED, High Power LED, rated luminous flux: 1.550lm, luminous efficacy: 148lm/W, light colour: 730, colour temperature: 3000K, control gear: ECG iQ, control: Auto-Match, Temp-Guard, Lumen-Switch, Night-Set, Smart-Wire, Light-Fading, Desk-Remote (wireless, voltage-free reading and setting of iQ features in the workshop via application-optimized NFC function/RFID function), optimised constant luminous flux control (CLO 2.0), Street-Remote, presetting dimming logarithmic, with terminal, 6-pole, max. 2.5mm<sup>2</sup>, mains connection: 230..240V, AC, 50/60Hz, start of lifetime: 11W, end of service life: 11W, reduction: 5W, luminaire housing, upper part, of aluminium, coated, Siteco® metallic grey (DB 702S), diameter: 750mm, height: 590mm, spigot size: d x l = 76 x 70mm (post-top) | with reducer (optional accessory) 60 x 70mm, post-top mast mounting element, of diecast aluminium, coated, Siteco® metallic grey (DB 702S), Module 540 iQ-SR, traffic white (RAL 9016), equipment: standard, protection rating (complete): IP65, insulation class (complete): insulation class II (safety insulation), certification: CE, ENEC, VDE, packaging unit: 1 piece



Lamps:	LED
Wt. (kg):	7.9
GTIN (EAN):	4058352636534



Order No.: 5XA5425EF14H | GTIN (EAN): 4058352636534

Detailed technical description: Litep2iQ,ST1.2a,1550lm730,SR



#### Key data

- Product type: mast luminaire
- Product name: Litepole 2 iQ
- Order No.: 5XA5425EF14H

#### Lighting technology | Lamps | Control gear

#### Component 1

#### Lighting technology:

- Light control: 3 zone faceted reflector of plastic, silver coated, highly specular
- Cover: cover, transparent
- Light distribution: ST1.2a
- Beam angle: wide distribution
- Symmetry: asymmetric distribution
- Light emission: direct distribution

#### Lamps:

- Lamps: with High Power LED, LED
- Rated luminous flux: 1550lm
- Luminous efficacy: 148lm/W
- Colour temperature: 3000K
- Colour rendering index: CRI > 70
- Light colour: 730
- SDCM (Standard Deviation of Colour Matching): MacAdam ≤ 5 SDCM (initial)
- Rated input power begin service life: 11
- Rated input power end service life: 11
- Rated input power at 50% lumin. flux: 5

#### Operating device:

- Control gear: ECG iQ
- Control: iQ Street-Remote
- Equipment: optimised constant luminous flux control (CLO 2.0), Desk-Remote (wireless, voltage-free reading and setting of iQ features in the workshop via application-optimized NFC function/RFID function), Light-Fading, Smart-Wire, Night-Set, Lumen-Switch, Temp-Guard, Auto-Match, Street-Remote, presetting dimming logarithmic

#### Certificates, Standards

- Protection rating: IP65
- Insulation class: insulation class II (safety insulation)
- Certification, designation: CE, ENEC, VDE

#### Material, Colour

- luminaire housing, upper part: aluminium, coated, Siteco® metallic grey (DB 702S)
- Colour specification: Siteco® metallic grey (DB 702S)
- post-top mast mounting element: diecast aluminium, coated, Siteco® metallic grey (DB 702S)
- Colour specification: Siteco® metallic grey (DB 702S)
- Colour specification: traffic white (RAL 9016)
- Cover: cover of PMMA

#### Mounting

- Mounting method, mounting location: post-top, on mast

#### Electrical connection

- Connection: terminal, 6-pole, max. 2.5mm<sup>2</sup>
- Nominal voltage: 230..240V, 50/60Hz, AC
- Surge voltage resistance: surge voltage resistance: 10kV (common mode); 6kV (differential mode)

#### Dimensions, Weight

- Diameter: 750mm
- Height: 590mm
- Weight: 7.9kg
- Mast spigot: spigot size: d x l = 76 x 70mm (post-top) | with reducer (optional accessory) 60 x 70mm

#### Light emission

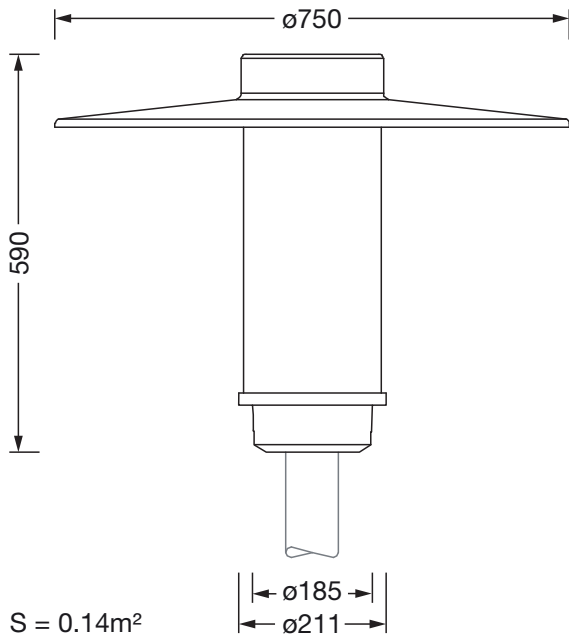
- Light emission: < 3%

#### Service life

- Rated service life: 100000h at AT = 25°C

Order No.: 5XA5425EF14H | GTIN (EAN): 4058352636534

Dimensions: Litep2iQ,ST1.2a,1550lm730,SR



It is mandatory that the assembly instructions must be observed when planning and installing the electrical installation (to be found at [www.siteco.de](http://www.siteco.de))

Tolerances related to thermal, electrical and photometric data according to IEC 62722

Issued 17.02.2024 - Modifications and errors subject to change - Ensure that you always use the latest version -